

SUBMITTAL

GENERAL CONSTRUCTION - NODE CAMERA

PROJECT CHECKLIST

TAG: _____

QUANTITY: _____

STYLE:

NETWORK

CONFIGURATION:

FIXED DOME CAMERA

MOUNTING:

FLUSH CHANNEL

RECESSED CHANNEL

TRIMLESS

DEVICE FACE FINISH:

BLACK POLYMER - B17

WHITE POLYMER - RAL 9006

BLACK - PRICE B17

WHITE - RAL 9016

ANODIZED - CLEAR SATIN

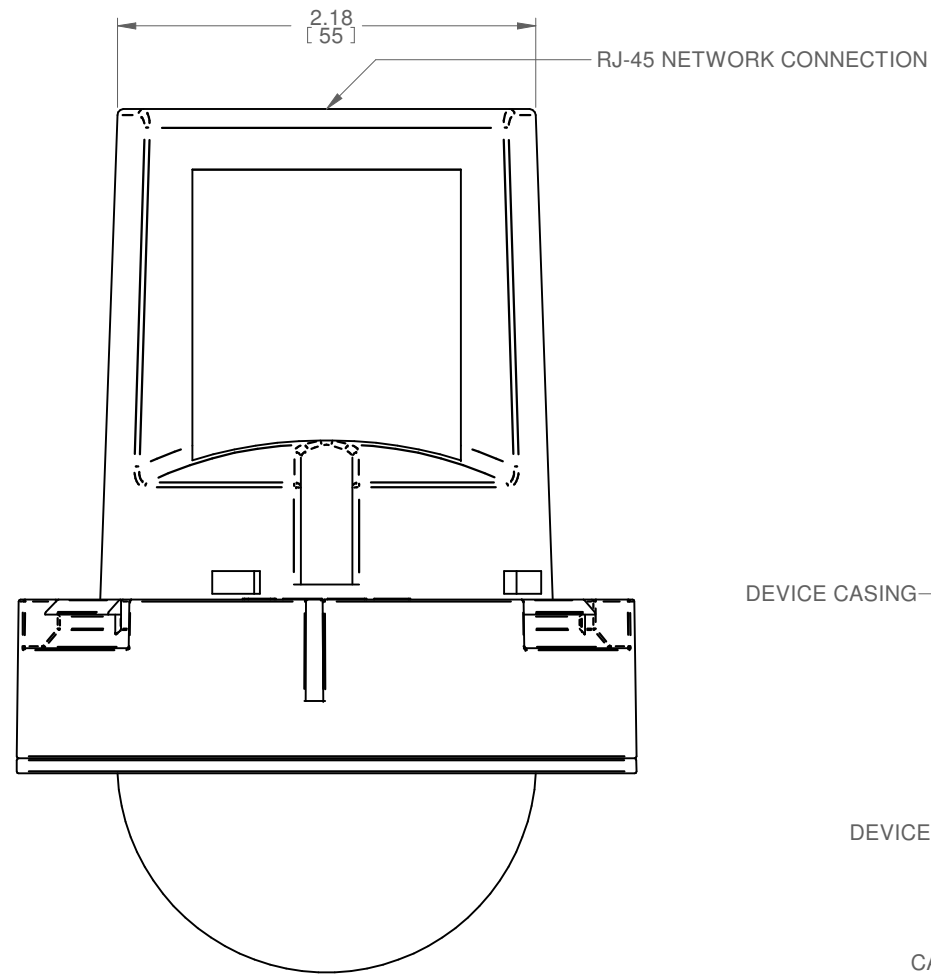
ANODIZED - CHAMPAGNE SATIN

ANODIZED - LIGHT BRONZE SATIN

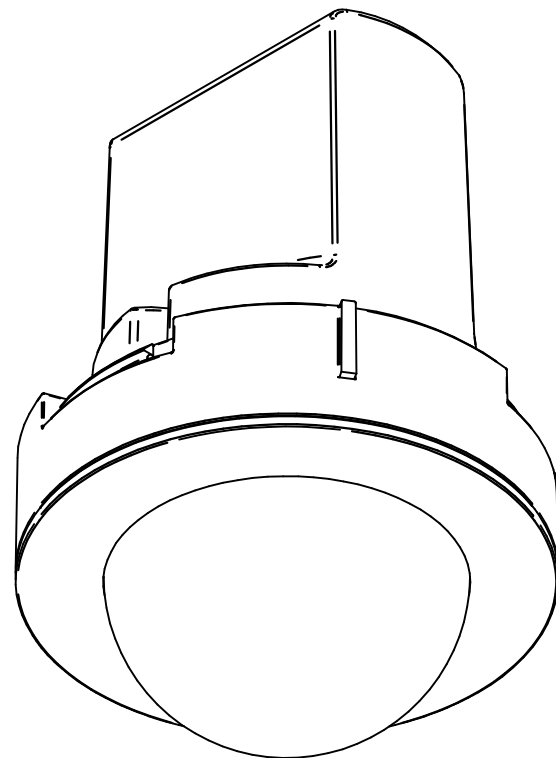
ANODIZED - MEDIUM BRONZE SATIN

ANODIZED - DARK BRONZE SATIN

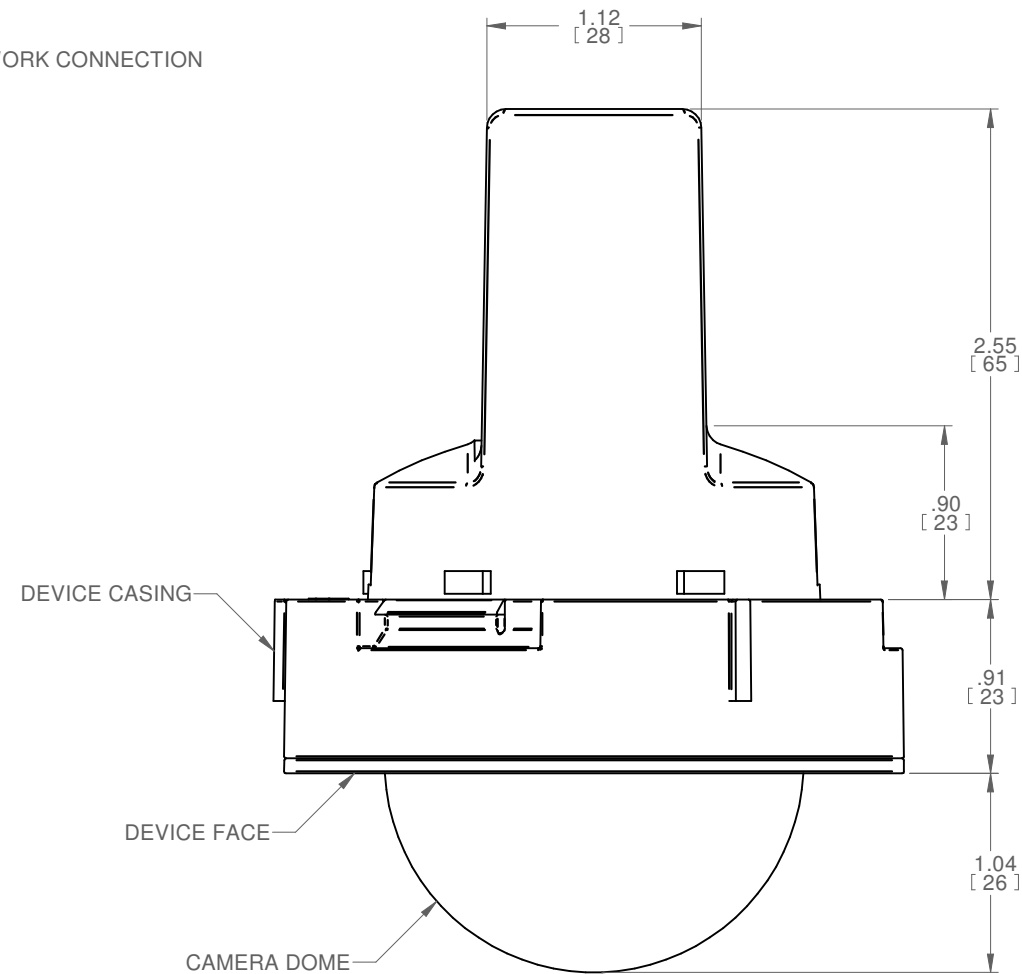
ANODIZED - BLACK SATIN



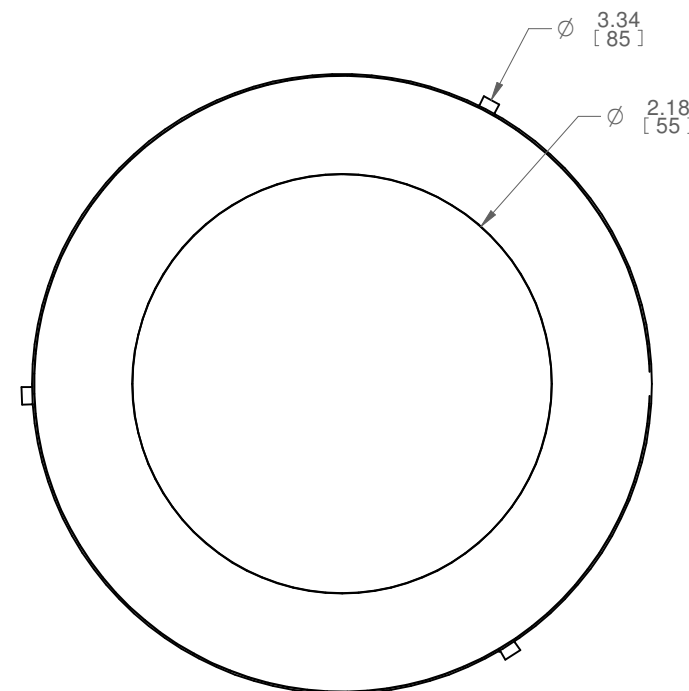
SIDE VIEW



ISOMETRIC VIEW



FRONT VIEW



BOTTOM VIEW

PARC
A Price Company
WEBSITE: WWW.PARC-CEILINGS.COM

CONSTRUCTION:

- DEVICE CASING
 - o MOULDED POLYMER
- OUTER HOUSINGS
 - o MOULDED POLYMER

FINISH:

- ALL HARDWARE: MILL FINISH UNLESS OTHERWISE SPECIFIED

ASSEMBLY AND INSTALLATION

- ALL COMPONENTS SHOWN ARE FACTORY ASSEMBLED BY PARC UNLESS OTHERWISE NOTED
- ALL INSTALLATION BY OTHERS AND METHODS SHOWN ARE NOTIONAL
- (ASSY BY OTHERS): PROVIDED BY PARC, FIELD ASSEMBLED BY OTHERS
- (BY OTHERS): PROVIDED AND FIELD ASSEMBLED BY OTHERS

NOTES:

- DIMENSIONS SHOWN IN PARENTHESES ARE FOR REFERENCE ONLY (X.XX)
- METRIC DIMENSIONS SHOWN IN BRACKETS [X.XX]
- PRODUCT FINISH MAY VARY IN TONE, GLOSS AND TEXTURE; VARIATIONS ARE WITHIN PARC QUALITY STANDARDS
- TBC: DETAILS TO BE CONFIRMED

REV	DATE	DRAWN BY	CHECKED BY
B	2021-10-29	AS	JAC
A	2020-06-16	NPT	SMB

ALL DIMENSIONS IN INCHES UNLESS OTHERWISE SPECIFIED

TOLERANCES UNLESS OTHERWISE SPECIFIED			
LINEAR	X.X ± .06	X.XX ± .03	X.XXX ± .01 INCHES
ANGULAR	X ± 1	X.X ± .5	X.XX ± .25 DEGREES

PROJECT

DRAWING TITLE
NODE CAMERA SUBMITTAL

SUBMITTAL NUMBER	272424	SHEET 1 OF 3	SIZE B
------------------	---------------	--------------	--------

© COPYRIGHT PRICE INDUSTRIES 2020

GENERAL CONSTRUCTION - CHANNEL MOUNTED

CONSTRUCTION:

- DEVICE CASING
 - o MOULDED POLYMER
- OUTER HOUSINGS
 - o MOULDED POLYMER

FINISH:

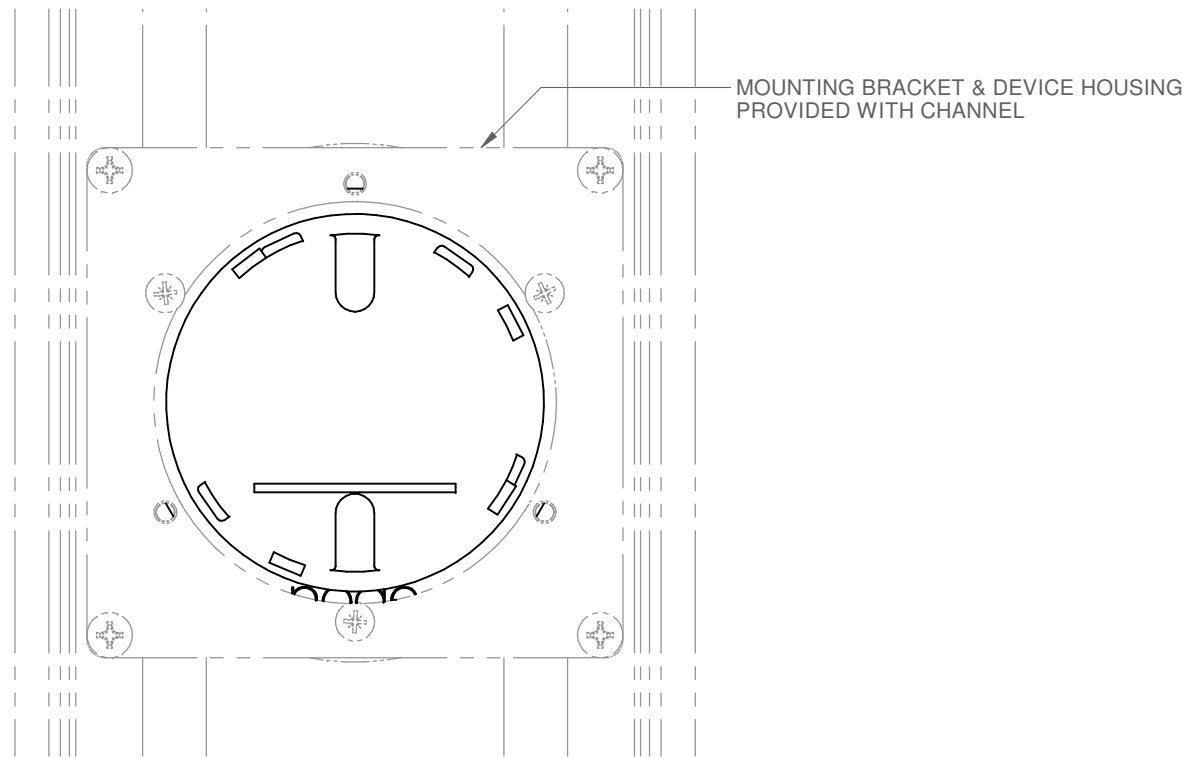
- ALL HARDWARE: MILL FINISH UNLESS OTHERWISE SPECIFIED

ASSEMBLY AND INSTALLATION

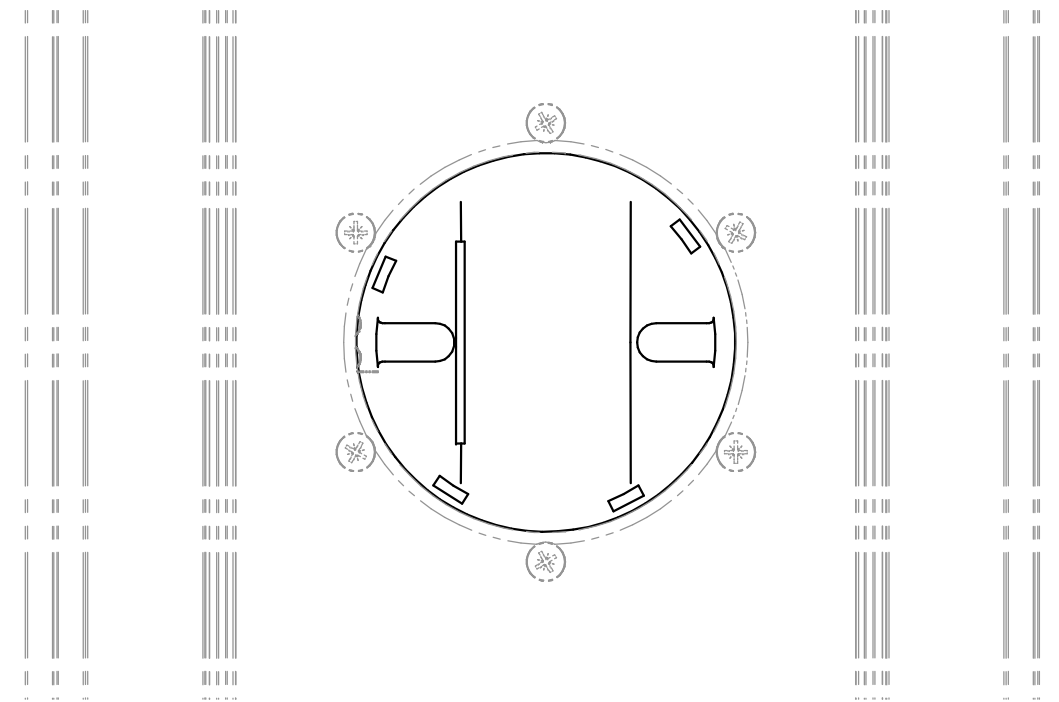
- ALL COMPONENTS SHOWN ARE FACTORY ASSEMBLED BY PARC UNLESS OTHERWISE NOTED
- ALL INSTALLATION BY OTHERS AND METHODS SHOWN ARE NOTIONAL
- (ASSY BY OTHERS): PROVIDED BY PARC, FIELD ASSEMBLED BY OTHERS
- (BY OTHERS): PROVIDED AND FIELD ASSEMBLED BY OTHERS

NOTES:

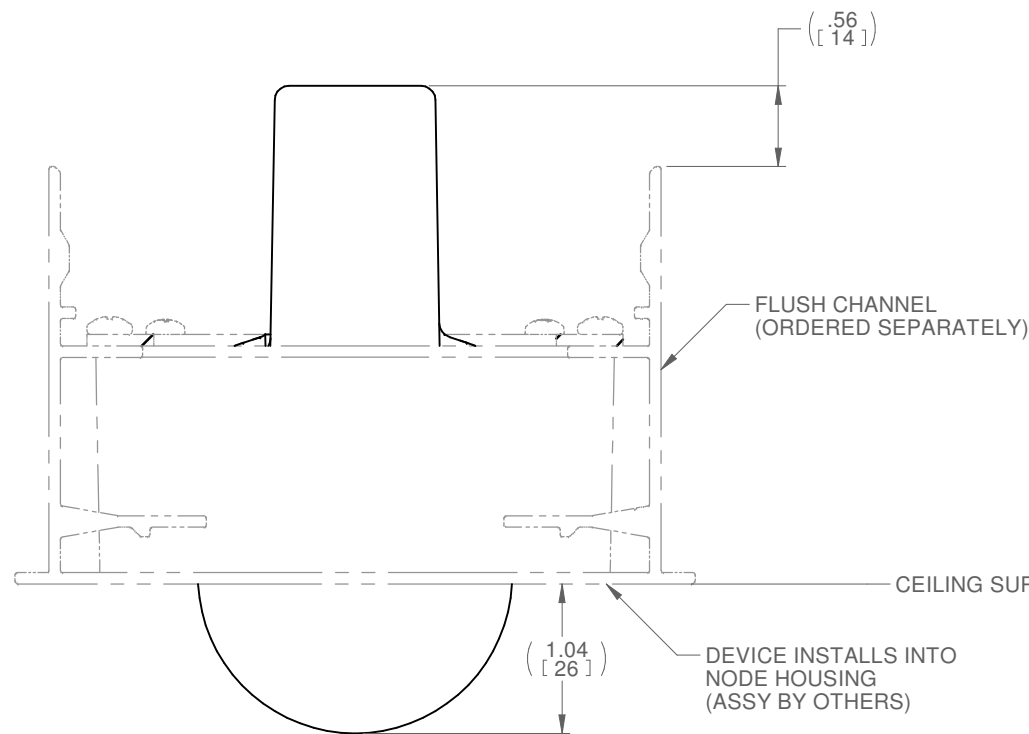
- DIMENSIONS SHOWN IN PARENTHESES ARE FOR REFERENCE ONLY (X.XX)
- METRIC DIMENSIONS SHOWN IN BRACKETS [X.XX]
- PRODUCT FINISH MAY VARY IN TONE, GLOSS AND TEXTURE; VARIATIONS ARE WITHIN PARC QUALITY STANDARDS
- TBC: DETAILS TO BE CONFIRMED



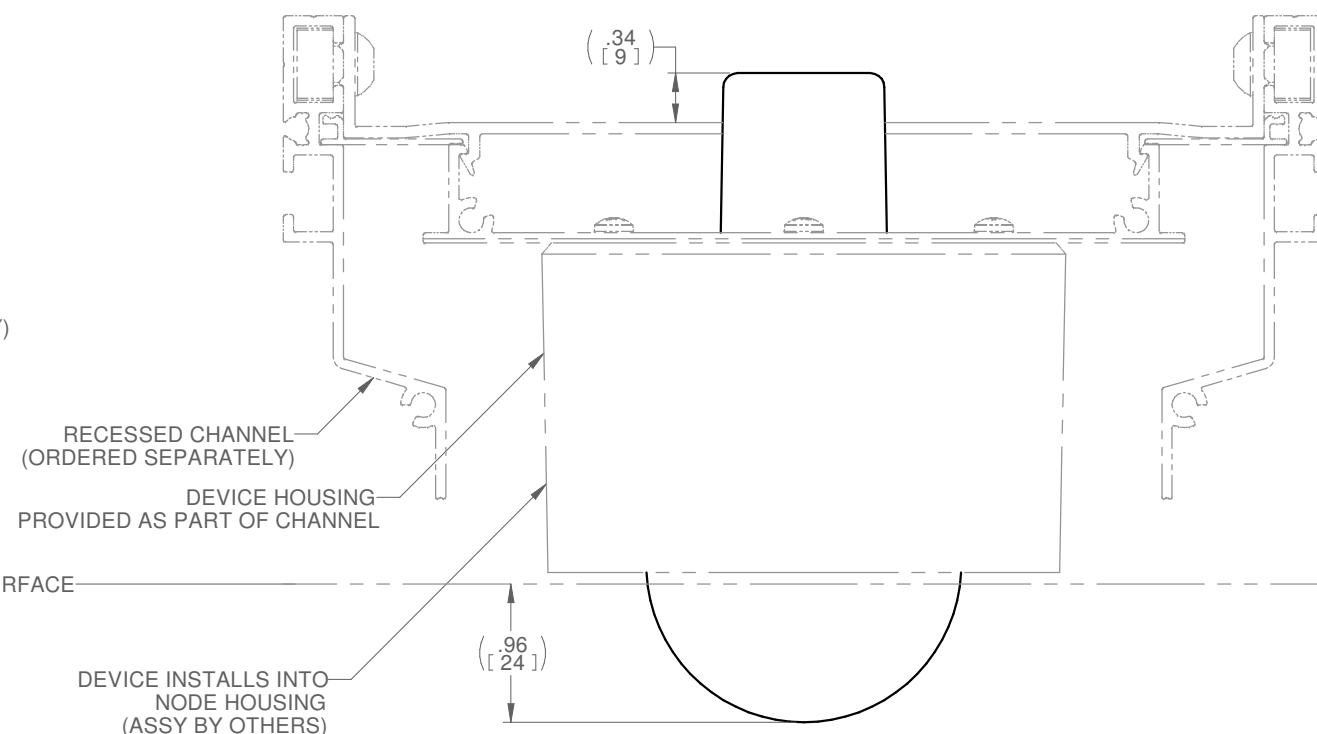
FLUSH CHANNEL TOP VIEW



RECESSED CHANNEL TOP VIEW



FLUSH CHANNEL END VIEW



RECESSED CHANNEL END VIEW

B	2021-10-29	AS	JAC
A	2020-06-16	NPT	SMB
REV	DATE	DRAWN BY	CHECKED BY

ALL DIMENSIONS IN INCHES UNLESS OTHERWISE SPECIFIED

TOLERANCES UNLESS OTHERWISE SPECIFIED			
LINEAR	X.X ± .06	X.XX ± .03	X.XXX ± .01 INCHES
ANGULAR	X ± 1	X.X ± .5	X.XX ± .25 DEGREES

PROJECT

DRAWING TITLE
NODE CAMERA SUBMITTAL

SUBMITTAL NUMBER	272424	SHEET 2 OF 3	SIZE B
------------------	--------	--------------	--------

GENERAL CONSTRUCTION - TRIMLESS

CONSTRUCTION:

- DEVICE CASING
 - o MOULDED POLYMER
- OUTER HOUSINGS
 - o MOULDED POLYMER

FINISH:

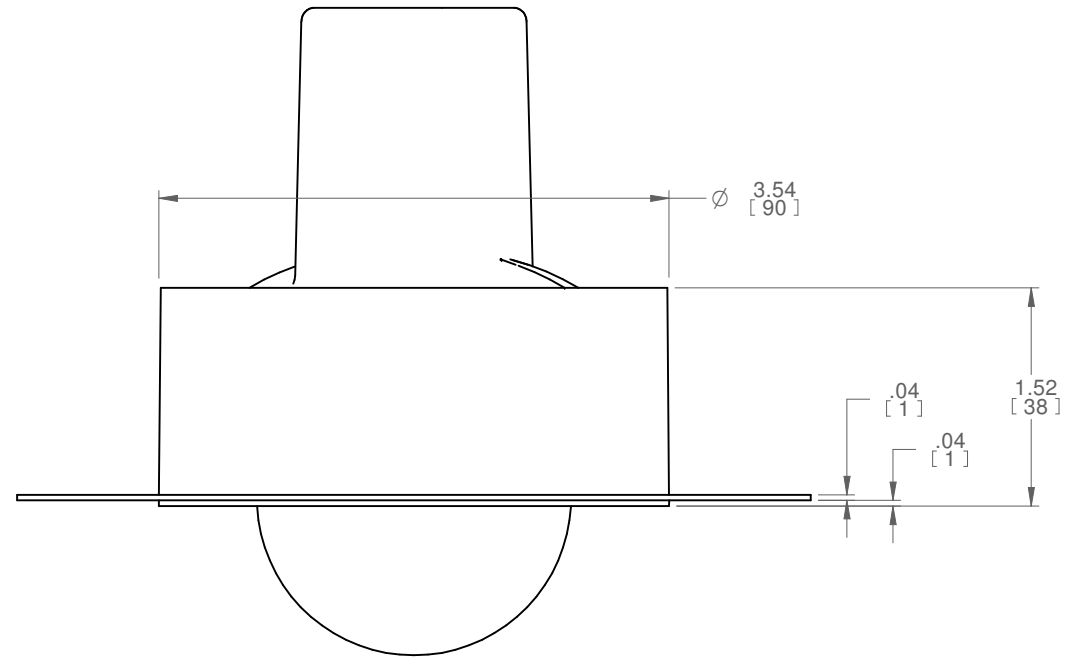
- ALL HARDWARE: MILL FINISH UNLESS OTHERWISE SPECIFIED

ASSEMBLY AND INSTALLATION

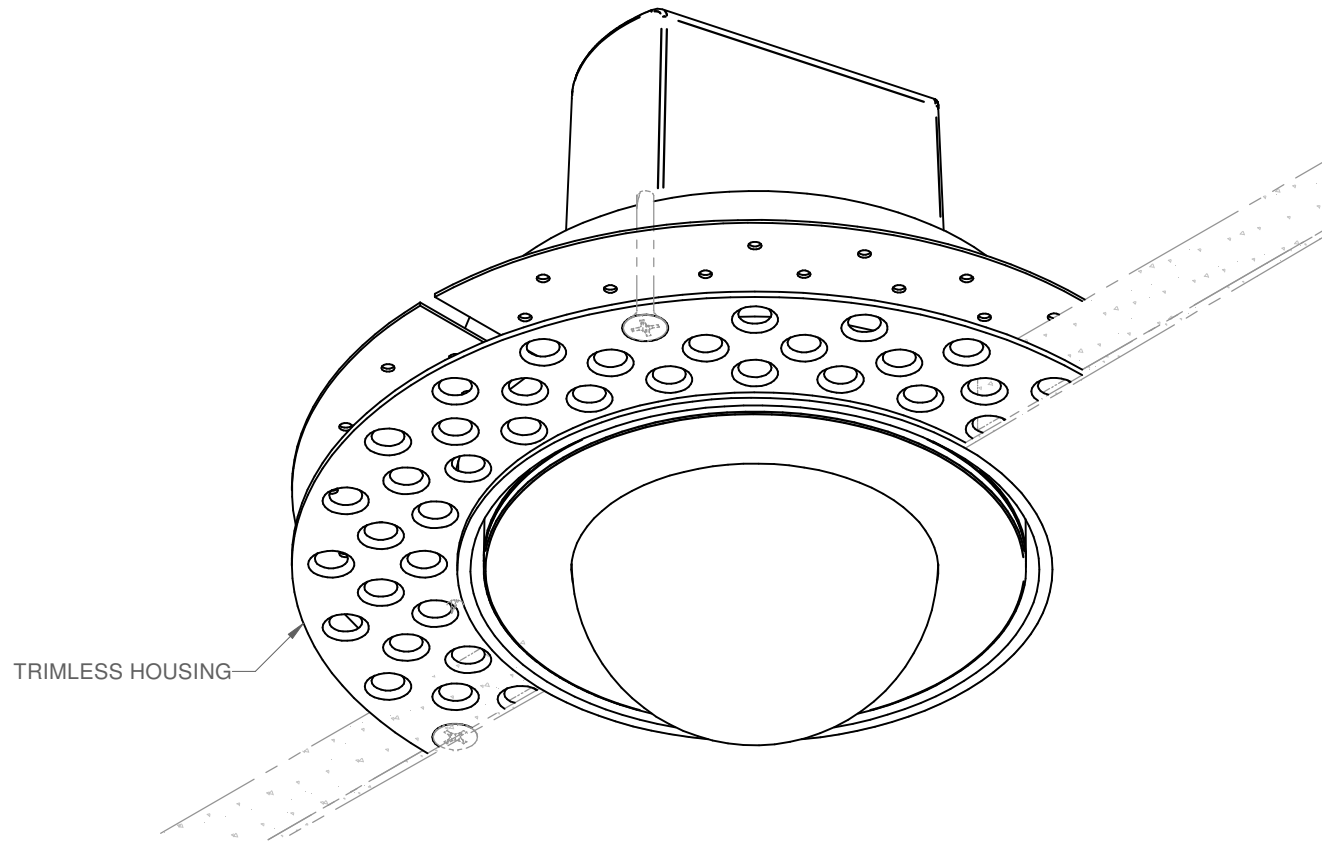
- ALL COMPONENTS SHOWN ARE FACTORY ASSEMBLED BY PARC UNLESS OTHERWISE NOTED
- ALL INSTALLATION BY OTHERS AND METHODS SHOWN ARE NOTIONAL
- (ASSY BY OTHERS): PROVIDED BY PARC, FIELD ASSEMBLED BY OTHERS
- (BY OTHERS): PROVIDED AND FIELD ASSEMBLED BY OTHERS

NOTES:

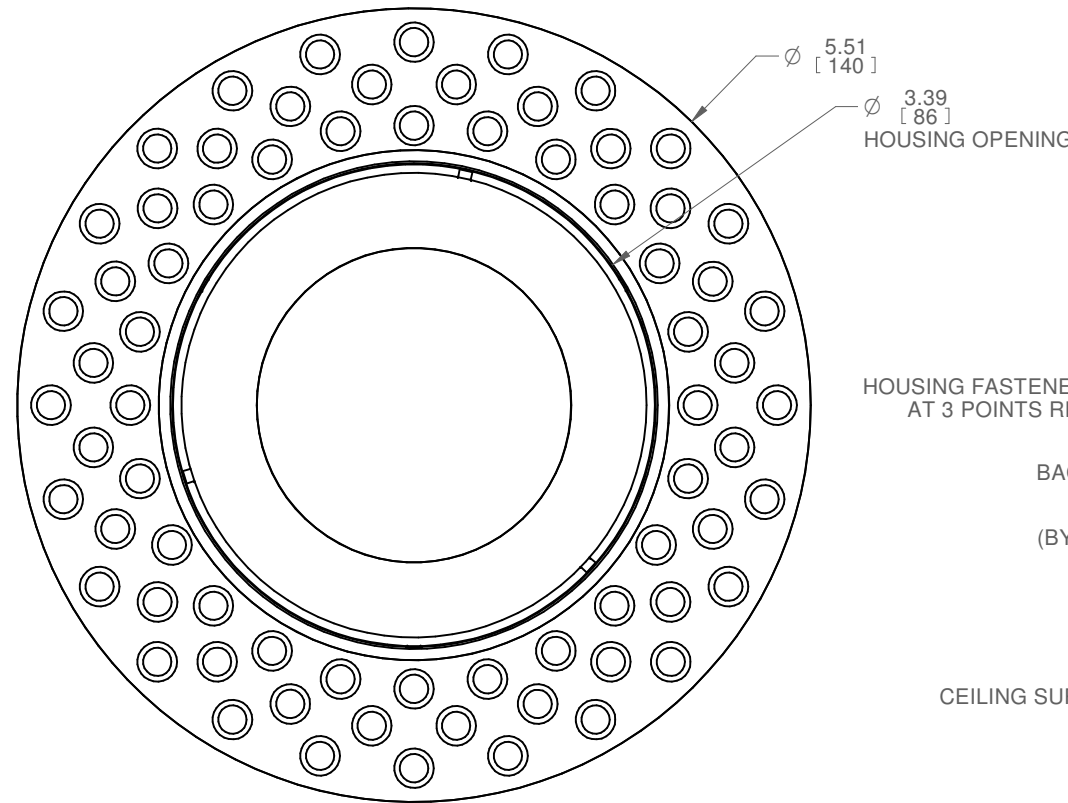
- DIMENSIONS SHOWN IN PARENTHESES ARE FOR REFERENCE ONLY (X.XX)
- METRIC DIMENSIONS SHOWN IN BRACKETS [X.XX]
- PRODUCT FINISH MAY VARY IN TONE, GLOSS AND TEXTURE; VARIATIONS ARE WITHIN PARC QUALITY STANDARDS
- TBC: DETAILS TO BE CONFIRMED



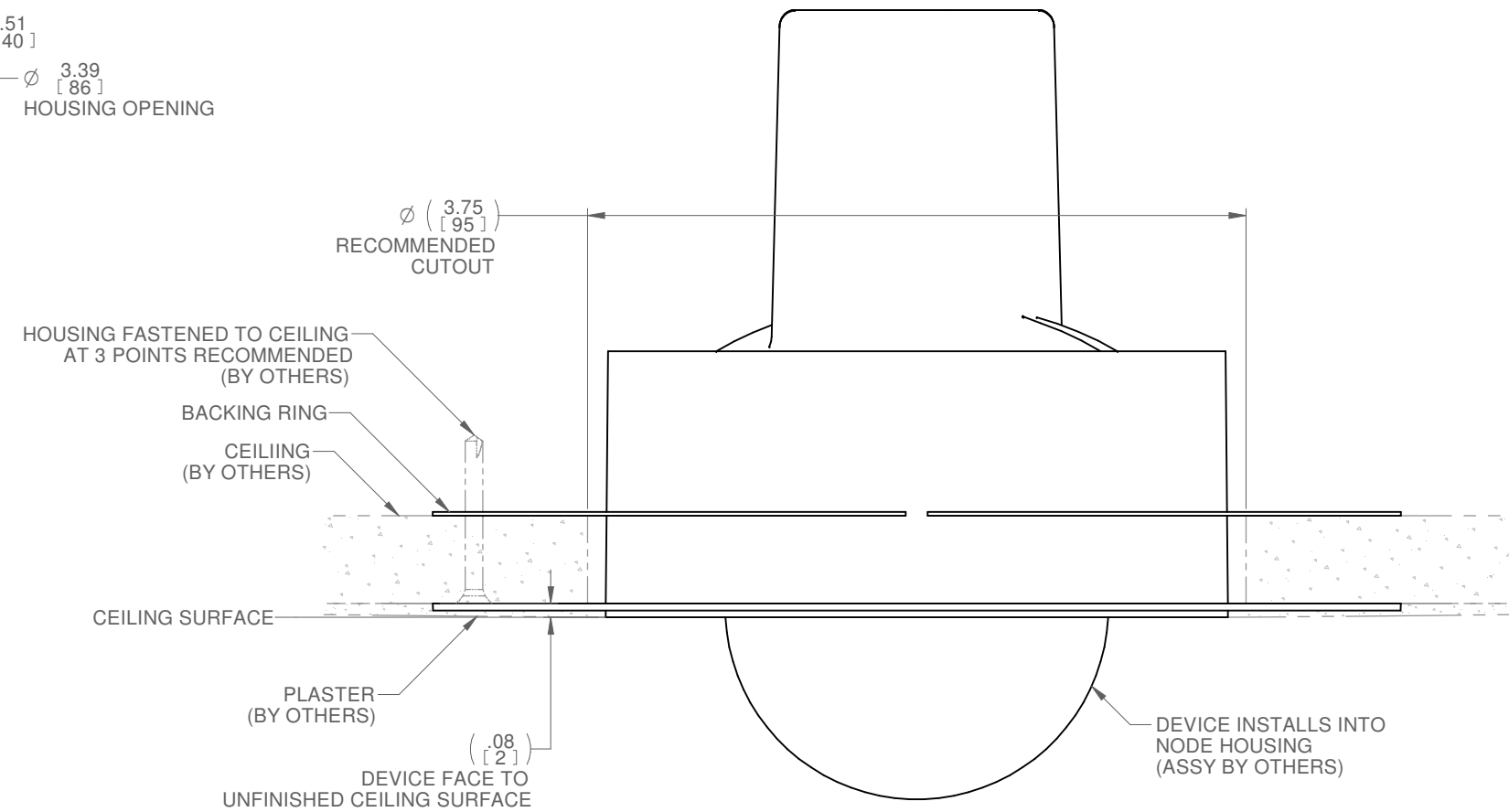
FRONT VIEW



ISOMETRIC VIEW



BOTTOM VIEW



CEILING CROSS SECTION

B	2021-10-29	AS	JAC
A	2020-06-16	NPT	SMB
REV	DATE	DRAWN BY	CHECKED BY

ALL DIMENSIONS IN INCHES UNLESS OTHERWISE SPECIFIED

TOLERANCES UNLESS OTHERWISE SPECIFIED			
LINEAR	X.X ± .06	X.XX ± .03	X.XXX ± .01
ANGULAR	X ± 1	X.X ± .5	X.XX ± .25
			DEGREES

PROJECT

DRAWING TITLE
NODE CAMERA SUBMITTAL

SUBMITTAL NUMBER	272424	SHEET 3 OF 3	SIZE B
------------------	---------------	--------------	---------------