

# SUBMITTAL

## GENERAL CONSTRUCTION - NODE SPEAKER

### PROJECT CHECKLIST

TAG: \_\_\_\_\_

QUANTITY: \_\_\_\_\_

### STYLE:

LOW FREQUENCY LOUDSPEAKER

### CONFIGURATION:

CONCEALED

### IMPEDANCE:

8 OHM

16 OHM

### MOUNTING:

FLUSH CHANNEL

RECESSED CHANNEL

### FINISH:

BLACK - PRICE B17

# PARC

WEBSITE: WWW.PARC-CEILINGS.COM

### CONSTRUCTION:

- SPEAKER CASING
- o COATED ALUMINUM SHEET

### FINISH:

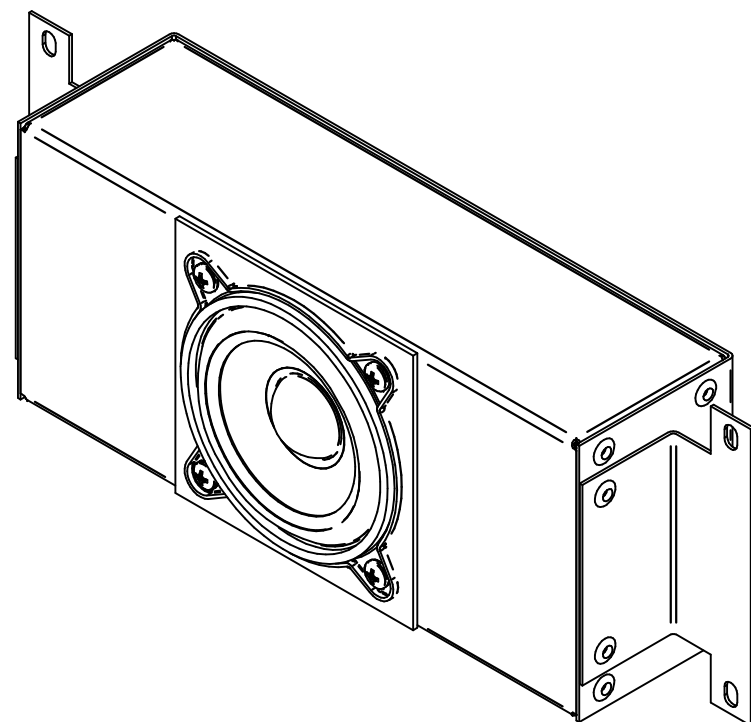
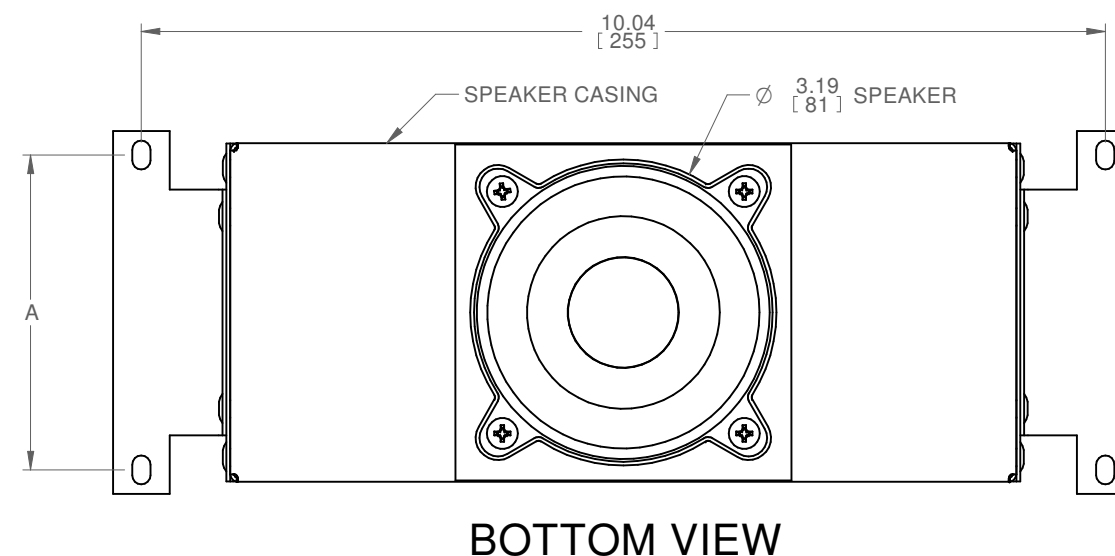
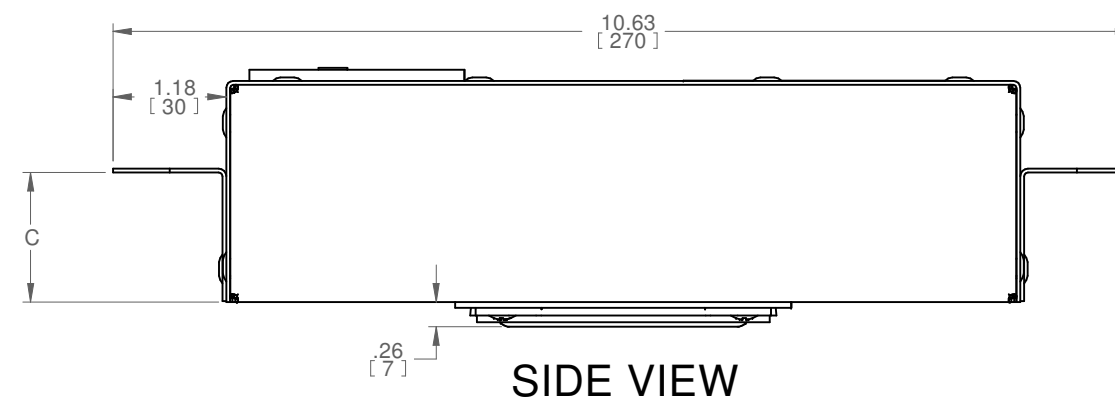
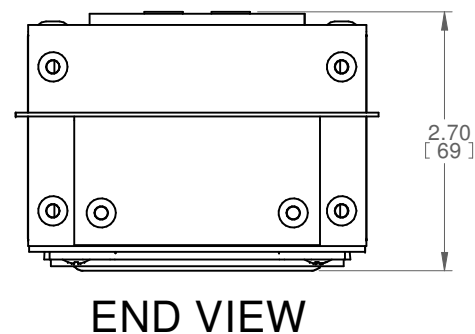
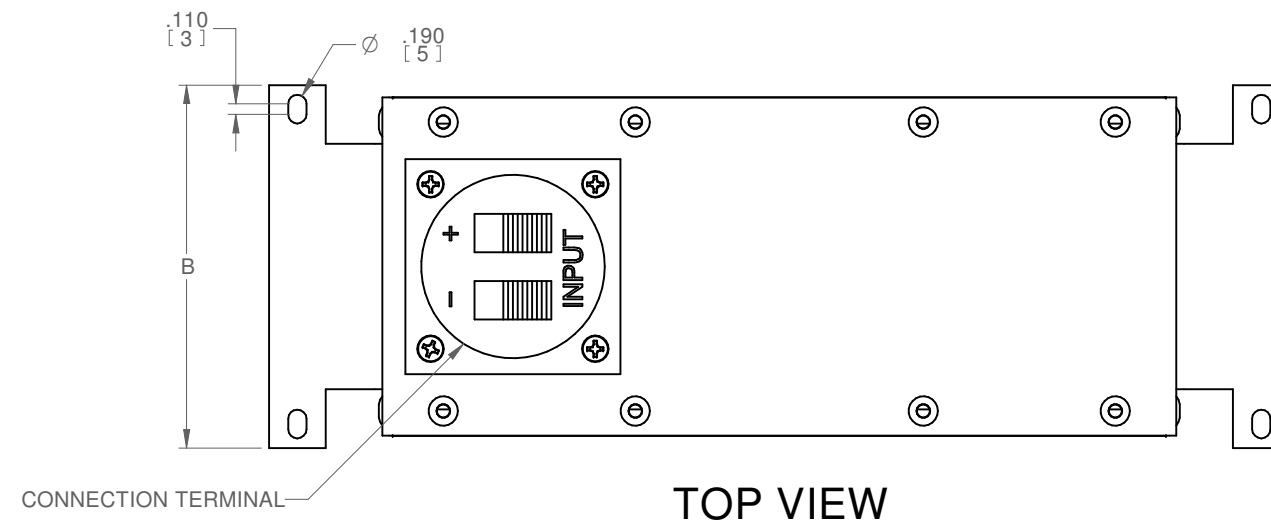
- ALL HARDWARE: MILL FINISH UNLESS OTHERWISE SPECIFIED

### ASSEMBLY AND INSTALLATION

- ALL COMPONENTS SHOWN ARE FACTORY ASSEMBLED BY PARC UNLESS OTHERWISE NOTED
- ALL INSTALLATION BY OTHERS AND METHODS SHOWN ARE NOTIONAL
- (ASSY BY OTHERS): PROVIDED BY PARC, FIELD ASSEMBLED BY OTHERS
- (BY OTHERS): PROVIDED AND FIELD ASSEMBLED BY OTHERS

### NOTES:

- DIMENSIONS SHOWN IN PARENTHESES ARE FOR REFERENCE ONLY (X.XX)
- METRIC DIMENSIONS SHOWN IN BRACKETS [X.XX]
- PRODUCT FINISH MAY VARY IN TONE, GLOSS AND TEXTURE; VARIATIONS ARE WITHIN PARC QUALITY STANDARDS
- TBC: DETAILS TO BE CONFIRMED



FLUSH CHANNEL MOUNTED SPEAKER	3.28 [83]	3.78 [96]	1.35 [34]
RECESSED CHANNEL MOUNTED SPEAKER	6.78 [172]	7.21 [183]	1.22 [31]
<b>DESCRIPTION</b>	<b>A</b>	<b>B</b>	<b>C</b>

REV	DATE	DRAWN BY	CHECKED BY
B	2021-11-02	AS	JAC
A	2020-06-16	NPT	SMB

ALL DIMENSIONS IN INCHES UNLESS OTHERWISE SPECIFIED

TOLERANCES UNLESS OTHERWISE SPECIFIED			
LINEAR	X.X ± .06	X.XX ± .03	X.XXX ± .01
ANGULAR	X ± 1	X.X ± .5	X.XX ± .25
			DEGREES

PROJECT

DRAWING TITLE  
**NODE SPEAKER SUBMITTAL**

SUBMITTAL NUMBER	<b>272425</b>	SHEET 1 OF 3	SIZE B
------------------	---------------	--------------	--------

© COPYRIGHT PRICE INDUSTRIES 2020

1

2

3

A

B

C

D

E

**GENERAL CONSTRUCTION - CHANNEL MOUNTED**

**CONSTRUCTION:**

- SPEAKER CASING
  - o COATED ALUMINUM SHEET

**FINISH:**

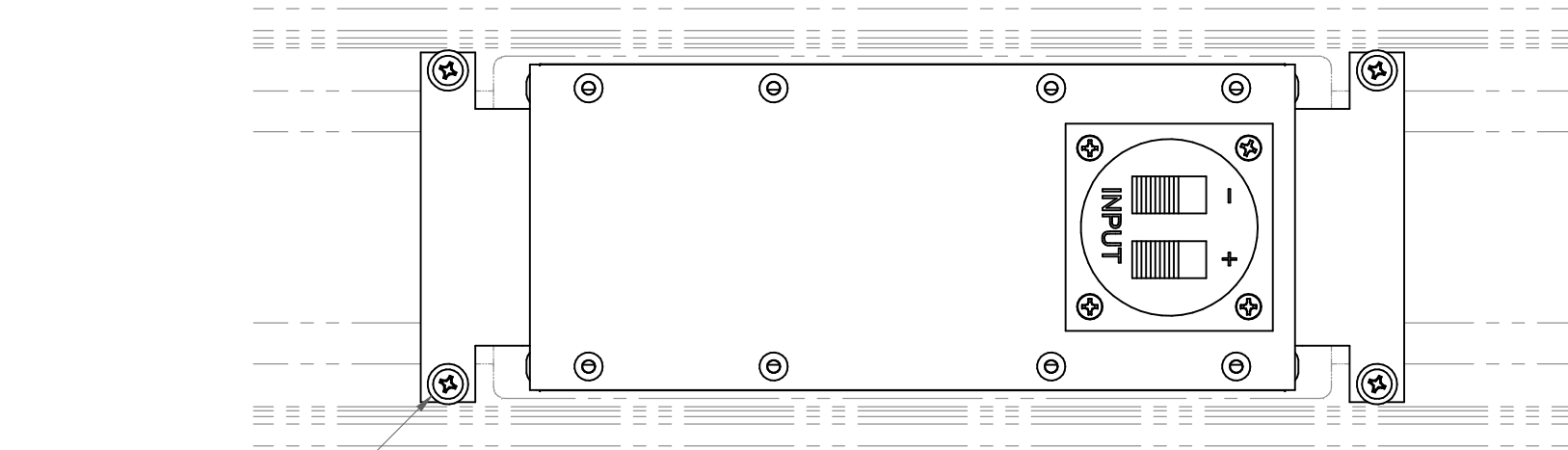
- ALL HARDWARE: MILL FINISH UNLESS OTHERWISE SPECIFIED

**ASSEMBLY AND INSTALLATION**

- ALL COMPONENTS SHOWN ARE FACTORY ASSEMBLED BY PARC UNLESS OTHERWISE NOTED
- ALL INSTALLATION BY OTHERS AND METHODS SHOWN ARE NOTIONAL
- (ASSY BY OTHERS): PROVIDED BY PARC, FIELD ASSEMBLED BY OTHERS
- (BY OTHERS): PROVIDED AND FIELD ASSEMBLED BY OTHERS

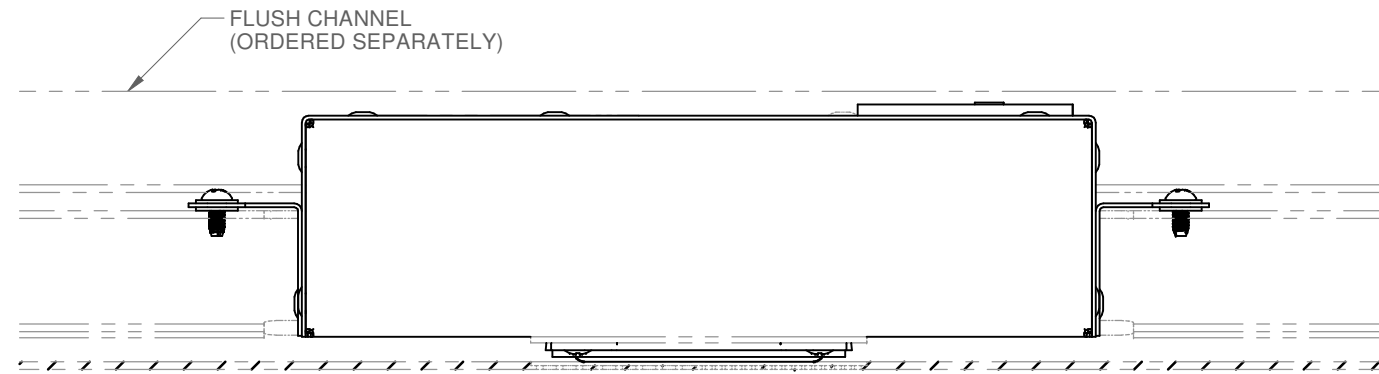
**NOTES:**

- DIMENSIONS SHOWN IN PARENTHESES ARE FOR REFERENCE ONLY (X.XX)
- METRIC DIMENSIONS SHOWN IN BRACKETS [X.XX]
- PRODUCT FINISH MAY VARY IN TONE, GLOSS AND TEXTURE; VARIATIONS ARE WITHIN PARC QUALITY STANDARDS
- TBC: DETAILS TO BE CONFIRMED



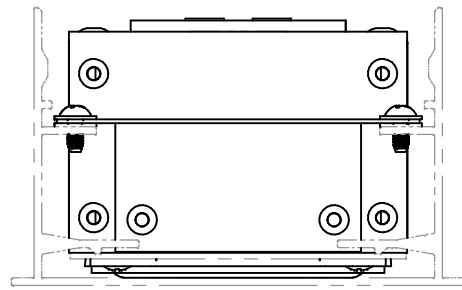
**TOP VIEW**  
FLUSH CHANNEL

SPEAKER INSTALLED USING PROVIDED HARDWARE (ASSY BY OTHERS)

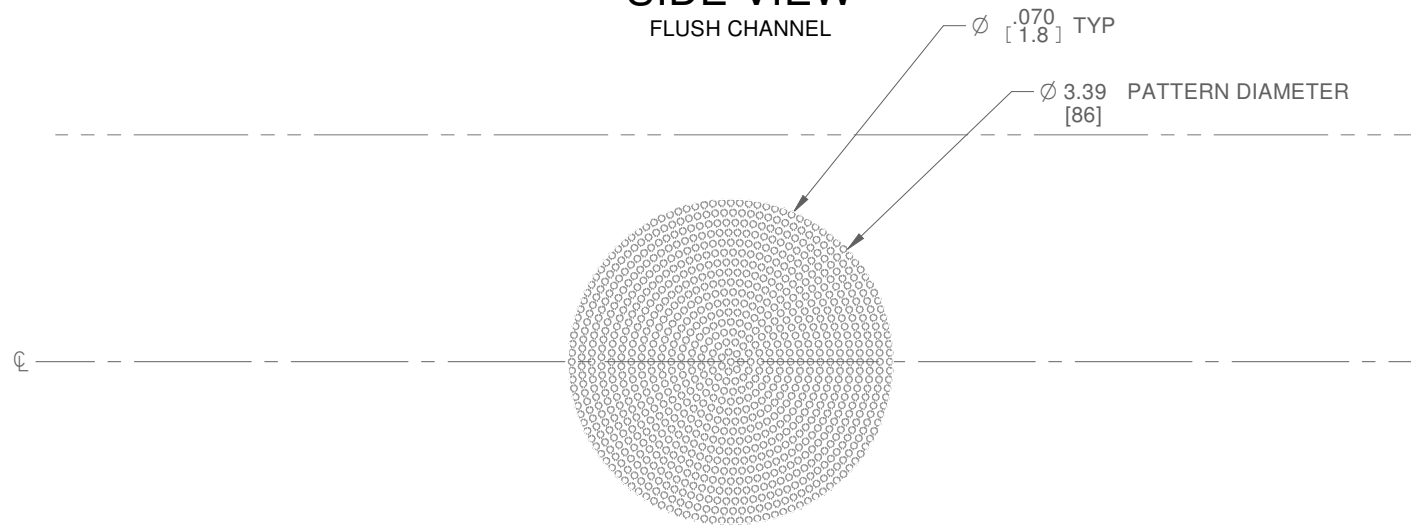


**SIDE VIEW**  
FLUSH CHANNEL

FLUSH CHANNEL (ORDERED SEPARATELY)



**END VIEW**  
FLUSH CHANNEL



**BOTTOM VIEW**  
FLUSH CHANNEL

REV	DATE	DRAWN BY	CHECKED BY
B	2021-11-02	AS	JAC
A	2020-06-16	NPT	SMB

ALL DIMENSIONS IN INCHES UNLESS OTHERWISE SPECIFIED

TOLERANCES UNLESS OTHERWISE SPECIFIED				
LINEAR	X.X ± .06	X.XX ± .03	X.XXX ± .01	INCHES
ANGULAR	X ± 1	X.X ± .5	X.XX ± .25	DEGREES

PROJECT

DRAWING TITLE  
**NODE SPEAKER SUBMITTAL**

SUBMITTAL NUMBER	<b>272425</b>	SHEET 2 OF 3	SIZE <b>B</b>
------------------	---------------	--------------	---------------

**GENERAL CONSTRUCTION - CHANNEL MOUNTED (CONTINUED)**

**PARC**

WEBSITE: WWW.PARC-CEILINGS.COM

**CONSTRUCTION:**

- SPEAKER CASING
- o COATED ALUMINUM SHEET

**FINISH:**

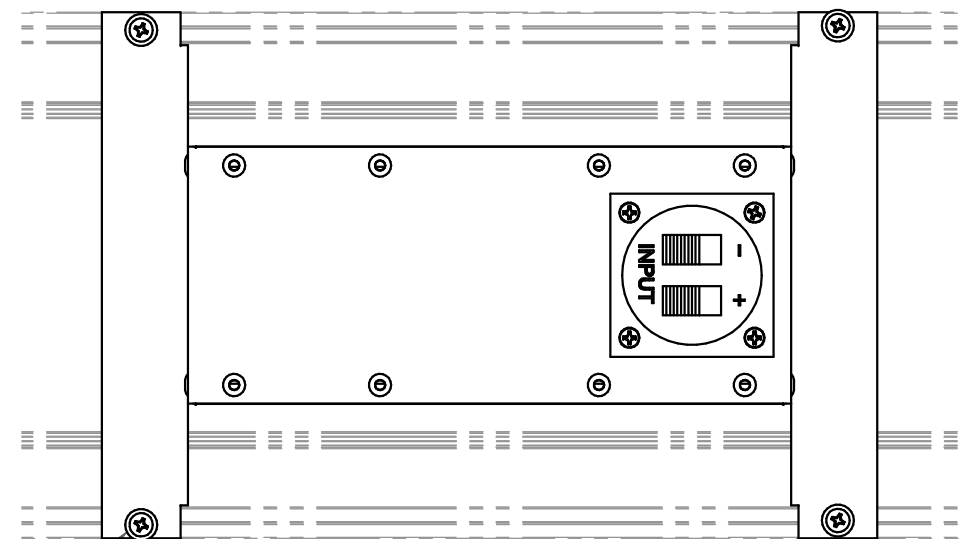
- ALL HARDWARE: MILL FINISH UNLESS OTHERWISE SPECIFIED

**ASSEMBLY AND INSTALLATION**

- ALL COMPONENTS SHOWN ARE FACTORY ASSEMBLED BY PARC UNLESS OTHERWISE NOTED
- ALL INSTALLATION BY OTHERS AND METHODS SHOWN ARE NOTIONAL
- (ASSY BY OTHERS): PROVIDED BY PARC, FIELD ASSEMBLED BY OTHERS
- (BY OTHERS): PROVIDED AND FIELD ASSEMBLED BY OTHERS

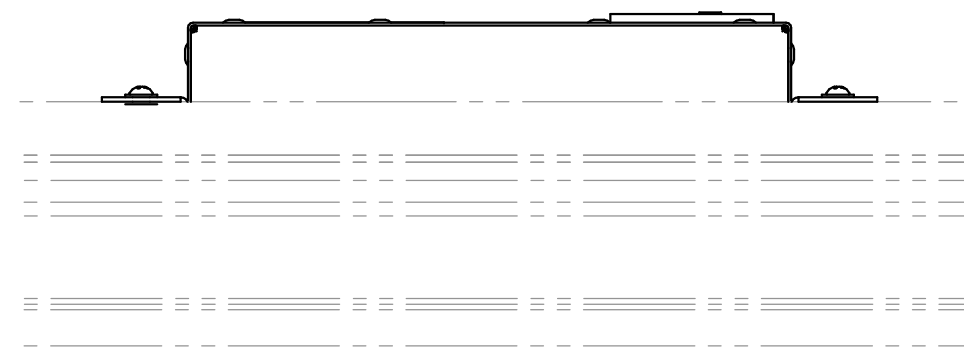
**NOTES:**

- DIMENSIONS SHOWN IN PARENTHESES ARE FOR REFERENCE ONLY (X.XX)
- METRIC DIMENSIONS SHOWN IN BRACKETS [X.XX]
- PRODUCT FINISH MAY VARY IN TONE, GLOSS AND TEXTURE; VARIATIONS ARE WITHIN PARC QUALITY STANDARDS
- TBC: DETAILS TO BE CONFIRMED

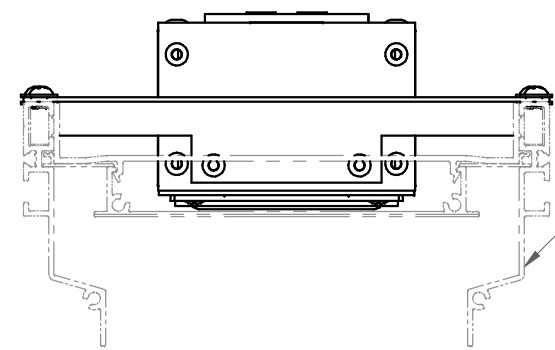


**TOP VIEW**  
RECESSED CHANNEL

SPEAKER INSTALLED USING PROVIDED HARDWARE (ASSY BY OTHERS)

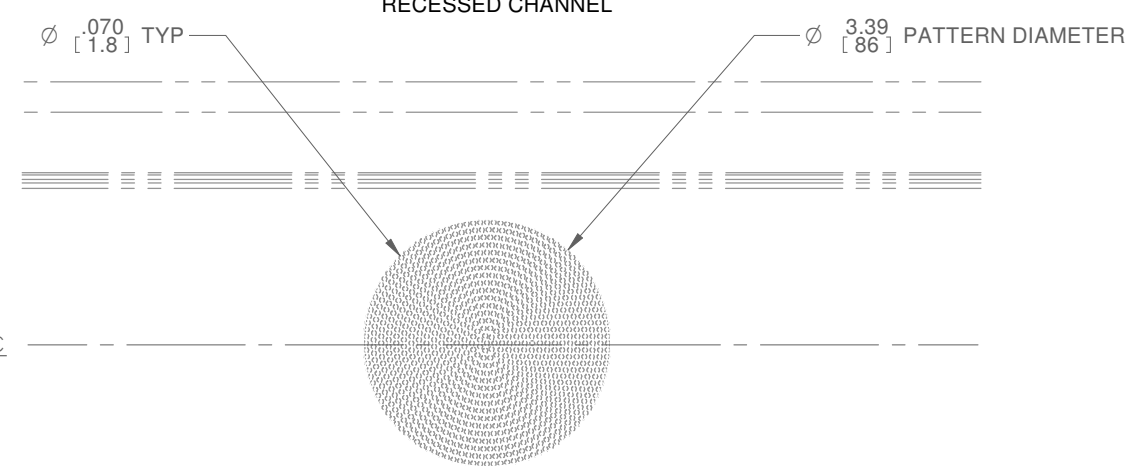


**SIDE VIEW**  
RECESSED CHANNEL



**END VIEW**  
RECESSED CHANNEL

RECESSED CHANNEL (ORDERED SEPARATELY)



**BOTTOM VIEW**  
RECESSED CHANNEL

REV	DATE	DRAWN BY	CHECKED BY
B	2021-11-02	AS	JAC
A	2020-06-16	NPT	SMB

ALL DIMENSIONS IN INCHES UNLESS OTHERWISE SPECIFIED

TOLERANCES UNLESS OTHERWISE SPECIFIED			
LINEAR	X.X ± .06	X.XX ± .03	X.XXX ± .01 INCHES
ANGULAR	X ± 1	X.X ± .5	X.XX ± .25 DEGREES

PROJECT

DRAWING TITLE  
**NODE SPEAKER SUBMITTAL**

SUBMITTAL NUMBER	<b>272425</b>	SHEET 3 OF 3	SIZE <b>B</b>
------------------	---------------	--------------	---------------