

MODULAR LIGHTING SYSTEM

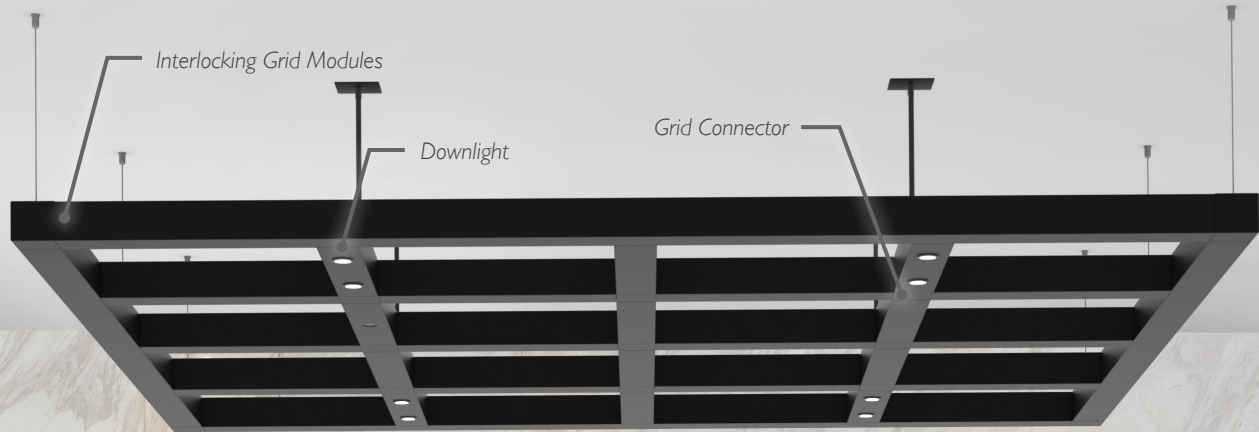


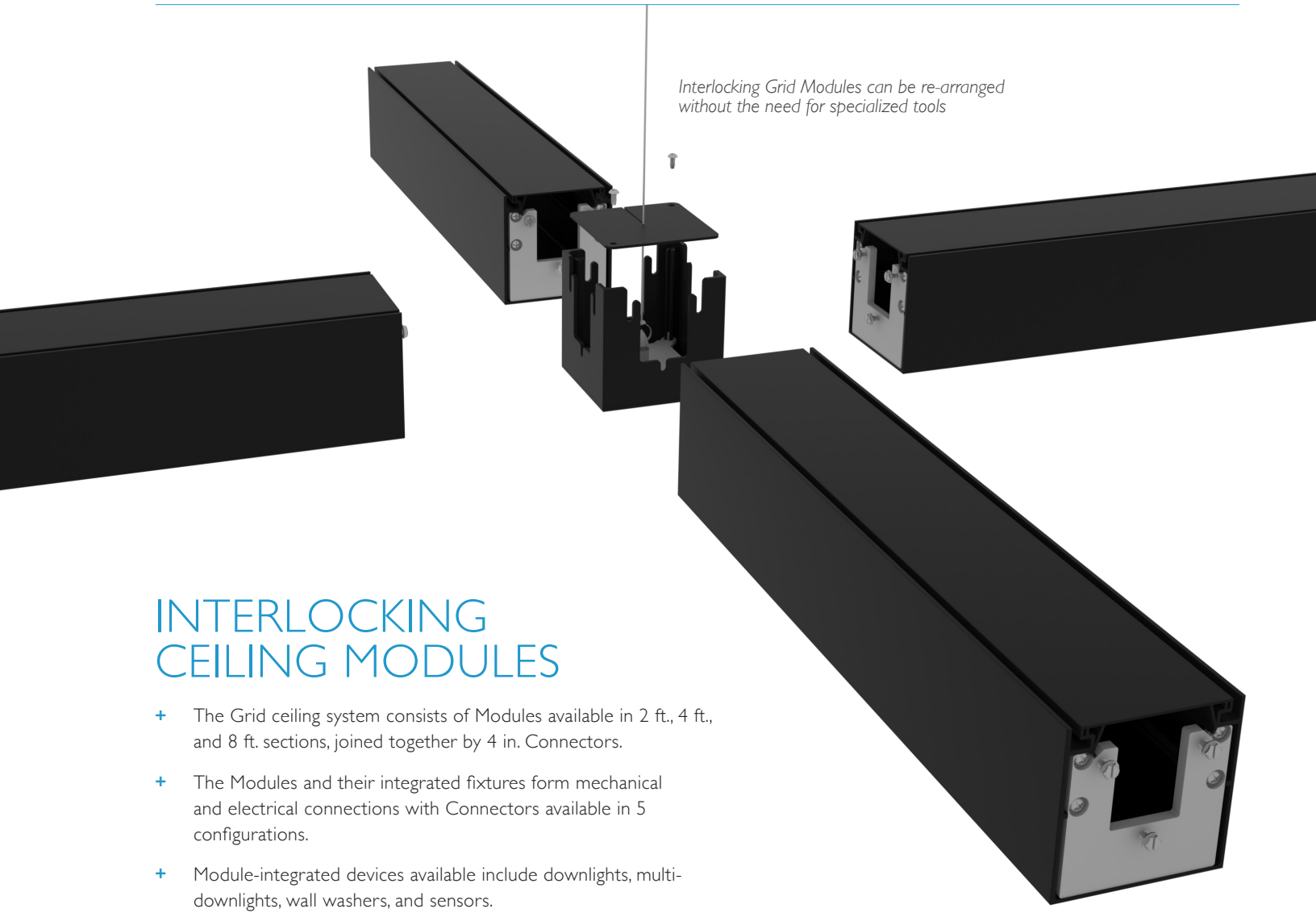
PARC®



MODULAR LIGHTING SYSTEM

The Grid modular lighting system is a unique lighting and sensor solution that features interlocking components for quick and easy installation and reconfiguration to accommodate changing customer needs. The lighting and sensor components integrated in the Grid system feature a single source supply, thereby minimizing installation time and ensuring compatibility of all components and visual consistency throughout.





Interlocking Grid Modules can be re-arranged without the need for specialized tools

INTERLOCKING CEILING MODULES

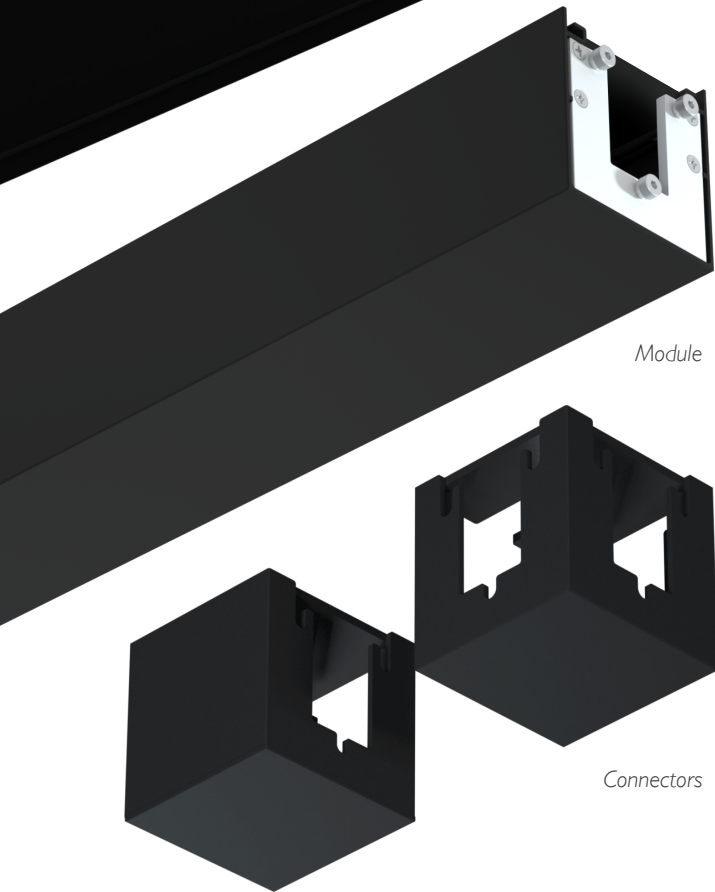
- + The Grid ceiling system consists of Modules available in 2 ft., 4 ft., and 8 ft. sections, joined together by 4 in. Connectors.
- + The Modules and their integrated fixtures form mechanical and electrical connections with Connectors available in 5 configurations.
- + Module-integrated devices available include downlights, multi-downlights, wall washers, and sensors.
- + Connectors are used to interlock Grid Modules, support the Grid system using suspension cables, or supply power or data to Grid fixtures.

FLEXIBLE LAYOUT

- + The flexible nature of the Grid system is future proof, allowing reconfiguration of all components to accommodate growth or architectural changes.
- + The interlocking Connectors and Modules can be repositioned in any number of configurations to change the overall Grid system layout and fixture locations in accordance with changing occupancy requirements.



Multiport electrical connection



Module

Connectors

EASY INSTALLATION AND RECONFIGURATION

- + Fewer mechanical and electrical connections to implement the Grid system allow for easy installation in less time than a typical ceiling system.
- + Modules feature **interlocking components** that fit with the Connectors for simple, efficient mechanical installation without the need for specialized tools or equipment.
- + Low voltage fixtures connect from Modules to Hybrid/Power Connectors using **quick connect cables** for efficient installation.

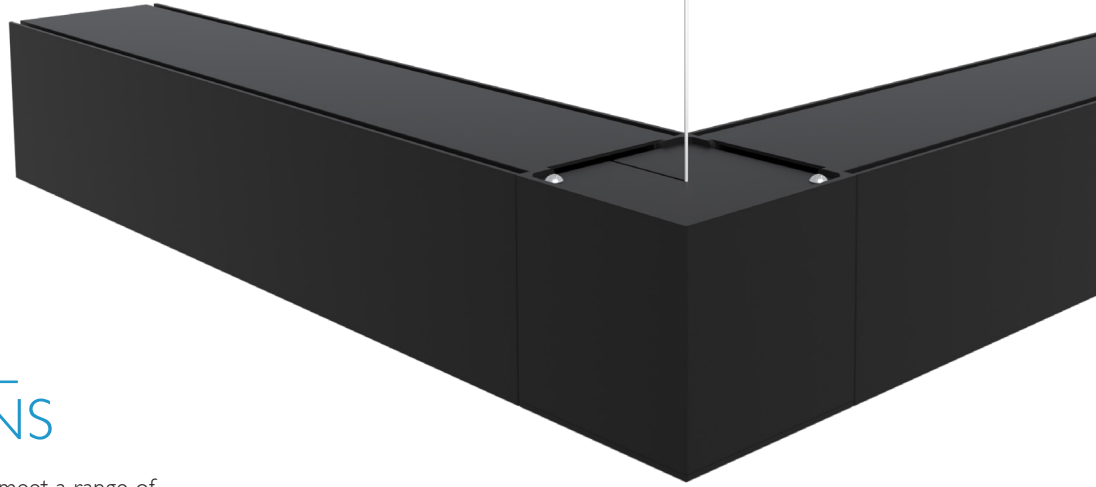


INTEGRATED LIGHTING

- + All integrated fixtures are low voltage and feature quick-connect ports for use with Grid Connectors.
- + A number of fixtures are available including:
 - **Wall Washer** – indirect light projection supplied by a row of rounded LED beams
 - **Multi-downlight** – direct linear downlight supplied by a row of rounded LED beams
 - **Downlight** – direct downlight supplied by two LED lights
 - **Linear Light** – direct linear LED downlight



Ceiling system suspension



ARCHITECTURAL CONSIDERATIONS

- + The Grid system can be customised to meet a range of architectural requirements.
 - **Mounting** – Pendant mounting and myriad layout options easily meet a wide range of design criteria and allow for integration with various ceiling types while minimizing disruption to the existing ceiling.
 - **Finish** – All components and intersections are typically finished in black or white, however anodized and custom finishes are available on the Module and Connector bodies.





CONTACT US AT INFO@PARC-CEILINGS.COM FOR MORE INFORMATION

Product Improvement is a continuing endeavour therefore, specifications are subject to change without notice.
Consult your sales representative for current specifications or more detailed information. Not all products may be available
in all geographic areas. All goods described in this document are warranted as described in Price's Terms and Conditions of Sale.