

GRID

Modular Ceiling System



Table of Contents

Product Overview

General	3
Before You Start.....	3

Installation Instructions

Required Tools and Equipment.....	4
Supplied Hardware	4
Procedure.....	5
Cable Mounting System	6
Electrical	10

General









WARNING! To reduce the risk of fire, electrical shock, or injury to persons, observe the following:

- A. Installation work and electrical wiring must be done by qualified person(s) in accordance with all applicable codes and standards, including fire-rated construction.
- B. When cutting or drilling into wall or ceiling, do not damage electrical wiring and other hidden utilities.
- C. Use this unit only in the manner intended by the manufacturer. If you have any questions, contact the manufacturer.
- D. Before servicing or cleaning unit, switch power off at service panel and lock service panel to prevent power from being switched on accidentally.
- E. To reduce the risk of injury to persons, install the unit at least 7ft above floor level.

Before You Start

- A. Inspect all cartons and boxes for any flaws or shipping damage. If anything is discovered to be damaged, contact the shipping company and file a freight claim.
- B. Ensure all tools (as listed on the following page) are on site and ready for use. Use gloves to avoid smudging the unit or the transfer of dust or dirt.
- C. Read all instructions.
- D. A minimum of two (2) people are required for safe installation.

Required Tools and Equipment (to be supplied by contractor)

 <p><i>Laser level</i></p>	 <p><i>Measuring tape</i></p>	 <p><i>5/16 in. box end wrench (recommend ratcheting wrenches)</i></p>	 <p><i>Drill</i></p>
 <p><i>5/16 in. Deep Socket</i></p>	 <p><i>Scaffold or similar access equipment</i></p>	 <p><i>6 ft. level (Optional)</i></p>	 <p><i>1 ft. level (Optional)</i></p>

Supplied Hardware

Cable System

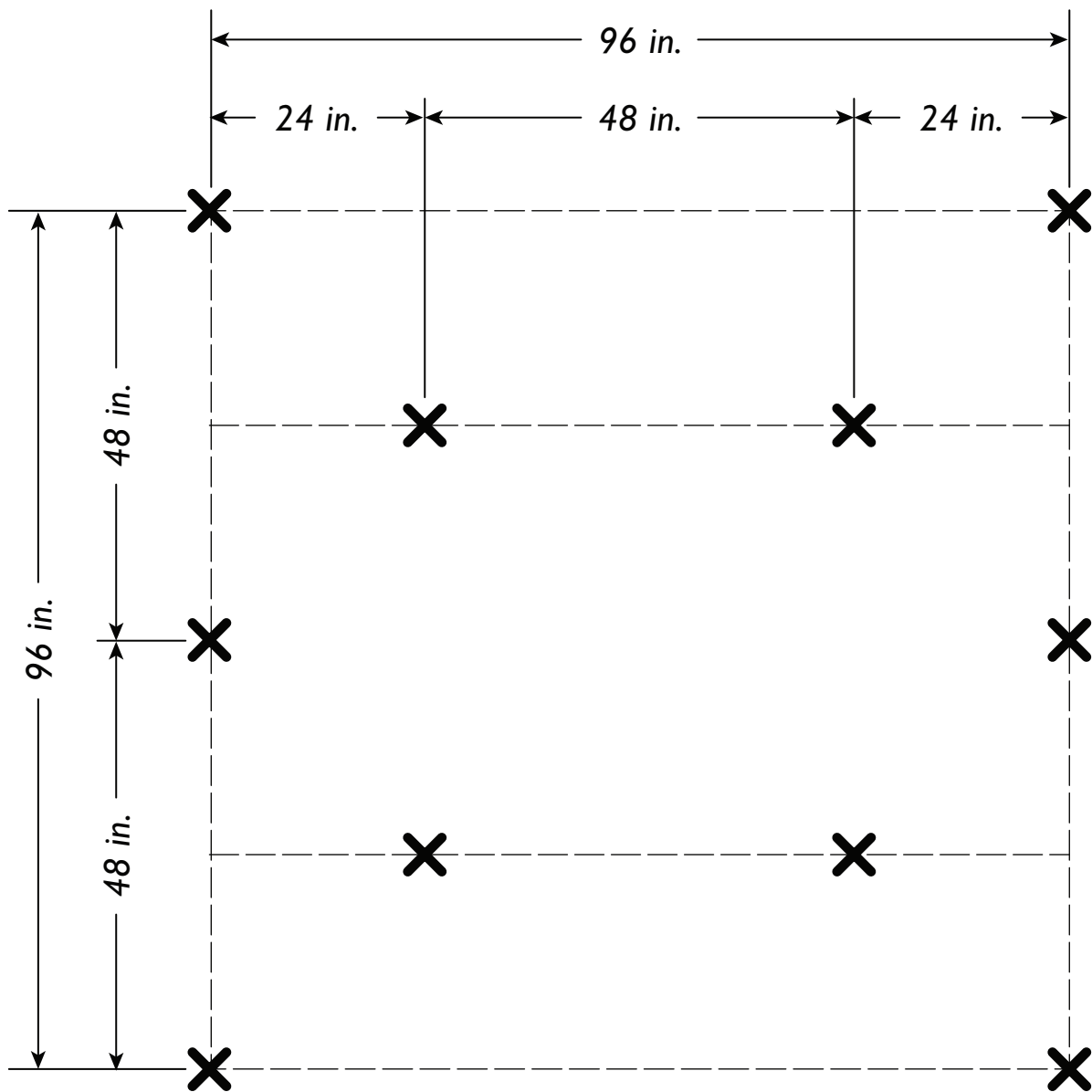
- Ceiling mount
- Suspension cable

Procedure

NOTE: Anchor mounting hardware supplied by others.

STEP I: Mark the anchoring locations on the substructure as per job layout. See Fig. I.

Figure I – Sample Ceiling Layout



Cable System

STEP 2: Install the Fixed Ceiling Mounts at the marked locations using mounting hardware ensuring the anchoring location aligns with the center of the Fixed Ceiling Mount. See Fig. 2.

STEP 3: Install the Threaded Cable End Fitting by screwing it into the Fixed Ceiling Mount. See Fig. 3.

Figure 2

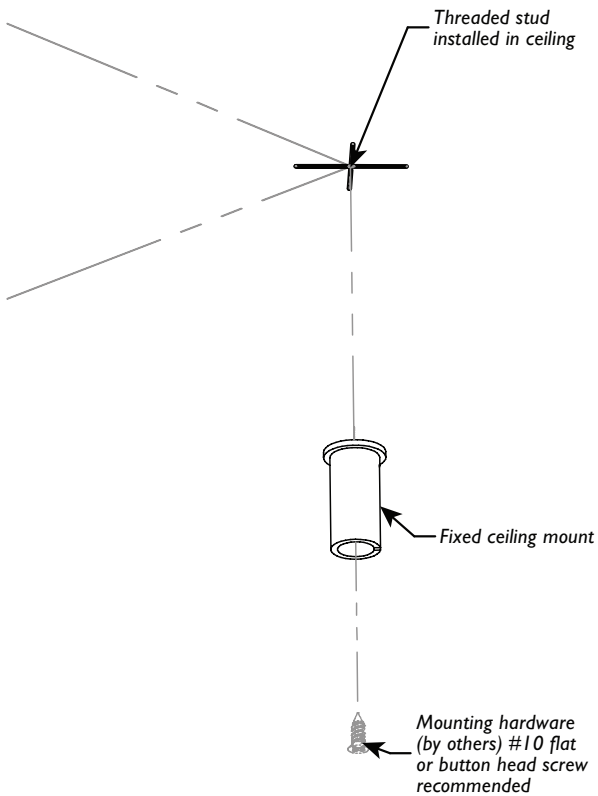
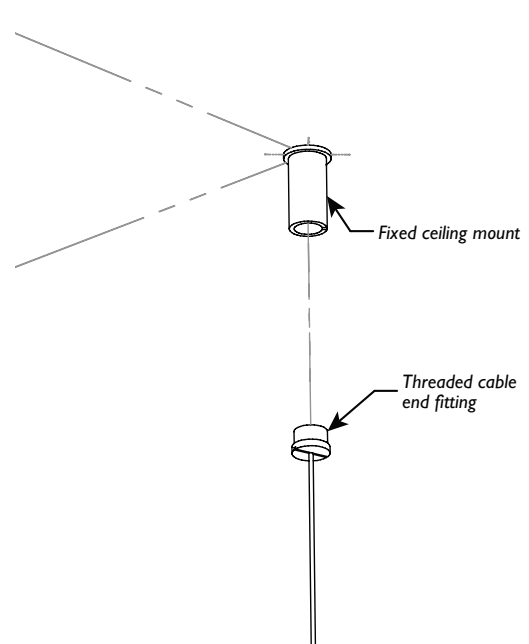


Figure 3



STEP 4: Adjust the length of the cable by the use of the Cable Gripper:

To alter the length of the cable, compress the side tabs on the Cable Gripper while sliding it along the cable. See Fig. 4.

To lock the cable, release the side tabs on the Cable Gripper and secure the loose end under the closest Connector Screw. If needed, the cable can be trimmed. See Fig. 5.

Figure 4

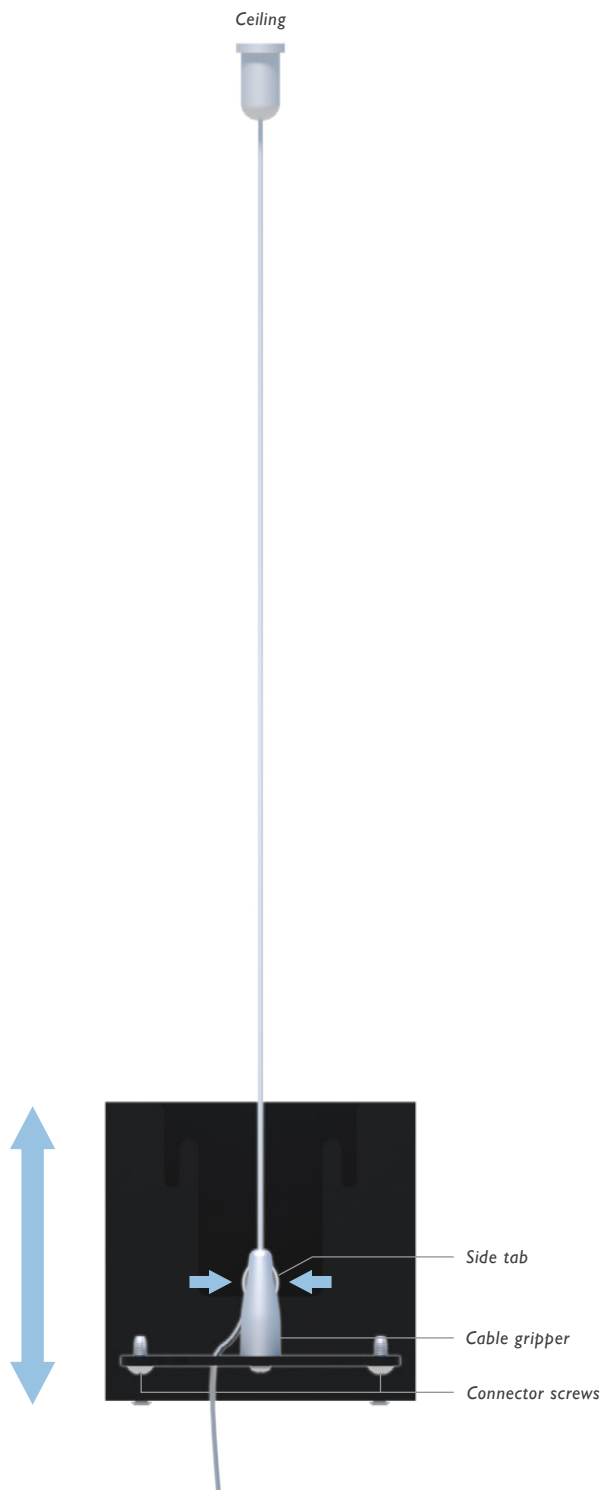


Figure 5



STEP 5: Slide the GRID - Module in position so that the Alignment Bolts sit in the slots in the GRID - Connector, ensuring that the top of the GRID - Module and the GRID - Connector are flush. See Fig. 6.

STEP 6: Fasten GRID - Module to GRID - Connector by tightening the (3) #10-32 bolts (Alignment Bolts). See Fig. 7.

Figure 6

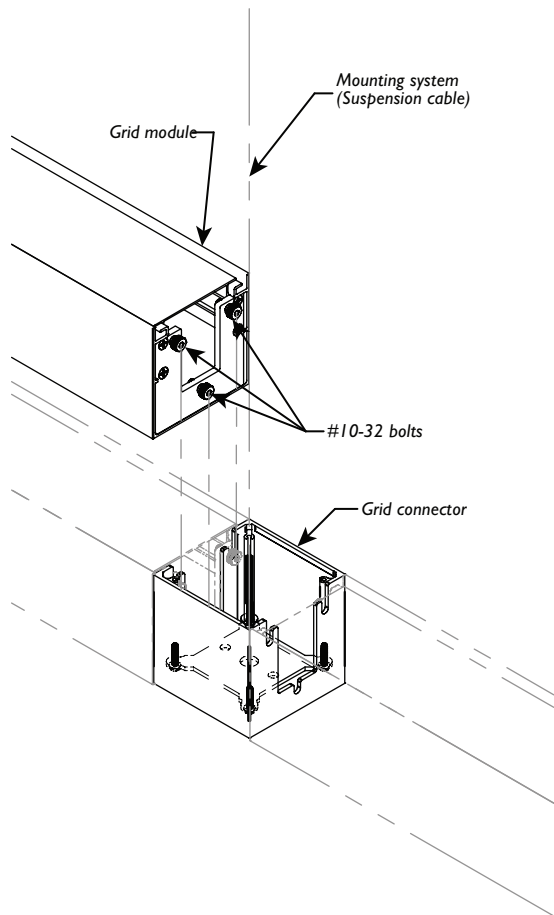
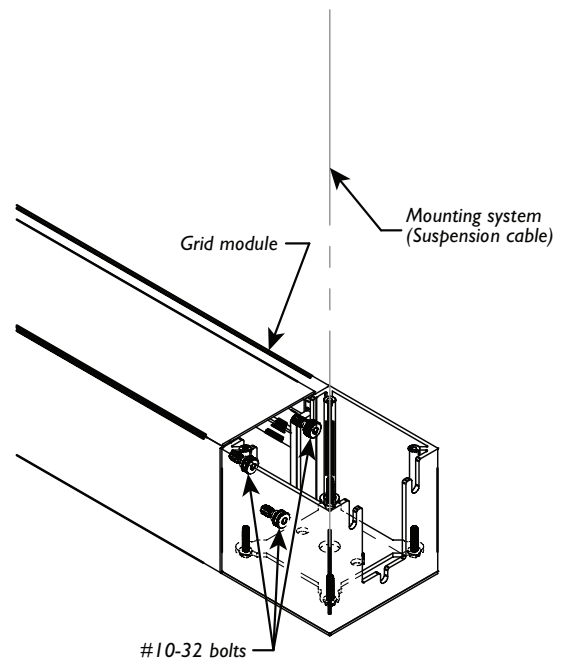


Figure 7



STEP 7: Install the Bottom Cap to the GRID - Connector using the factory installed magnets. See Fig. 8.

STEP 8: Install the Top Cap using (4) #8 screws. See Fig. 9.

Figure 8

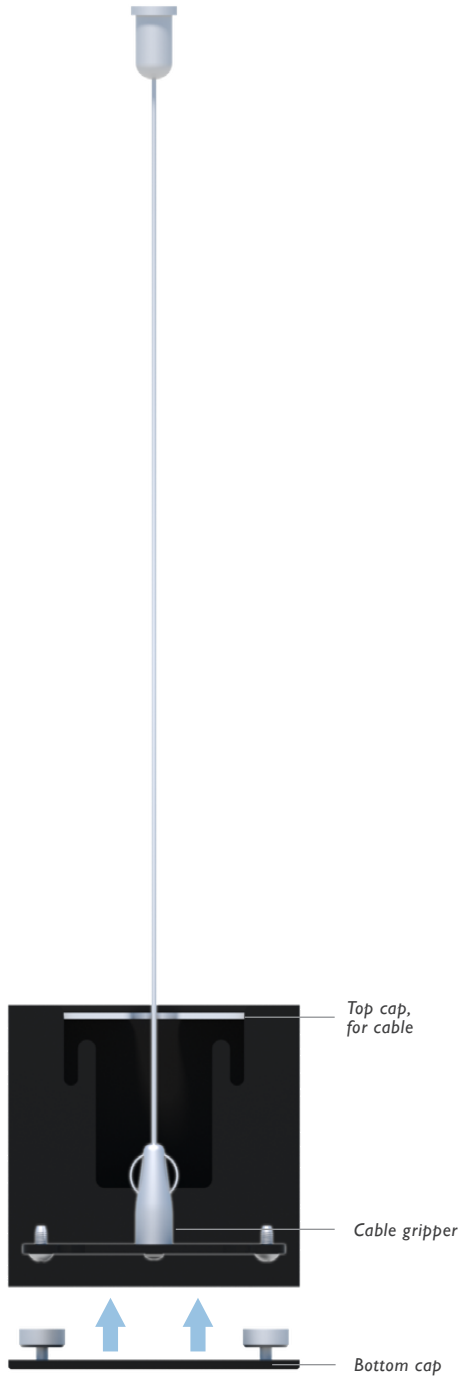
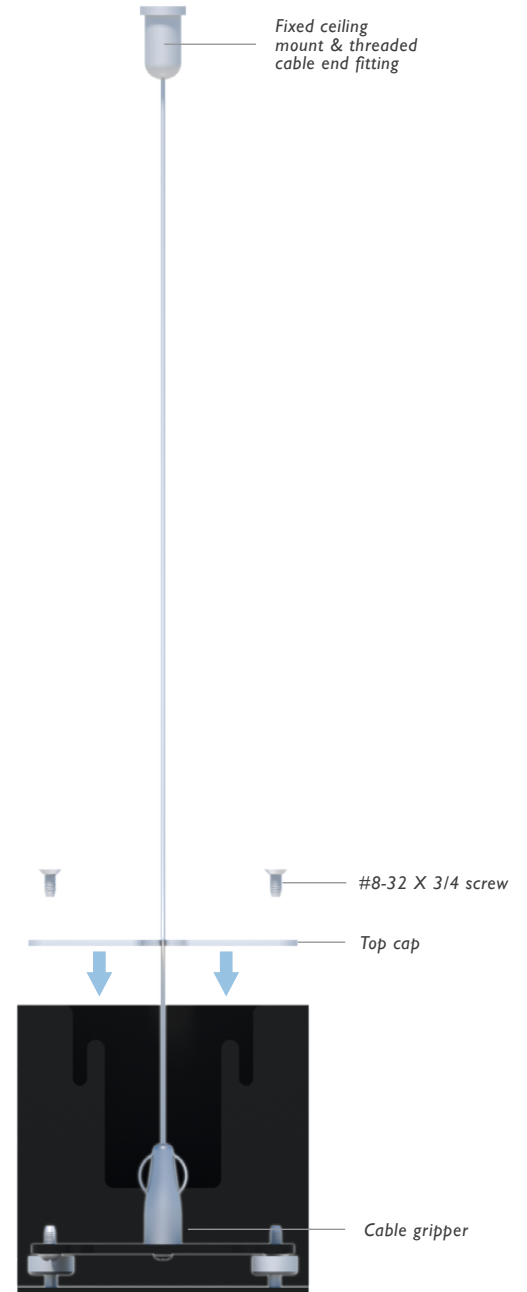


Figure 9



Electrical

STEP 9: ELECTRICAL CONNECTION - Connect cables to the multiport per wiring detail layout. See Fig. 10, 11, 12 & 13.

NOTE: Multiport – Smart devices (see Fig. 12) is color coordinated per device connection.

Figure 10

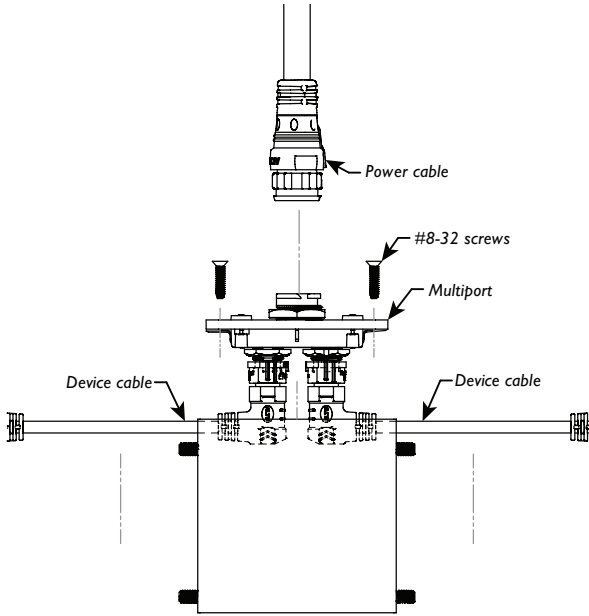


Figure 11

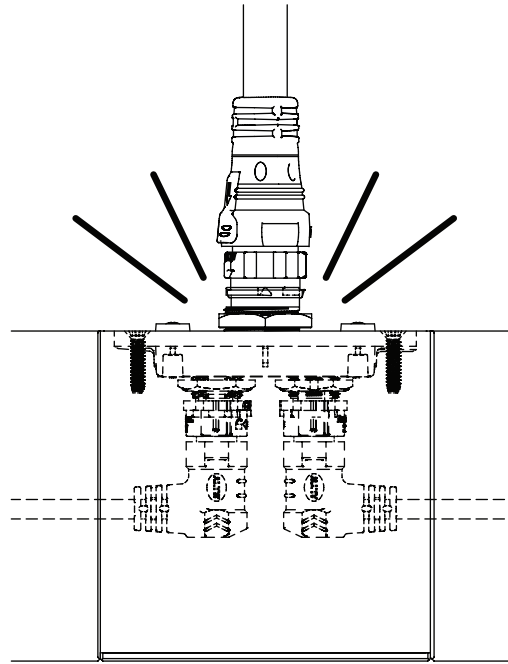


Figure 12 - Multiport - Smart Devices

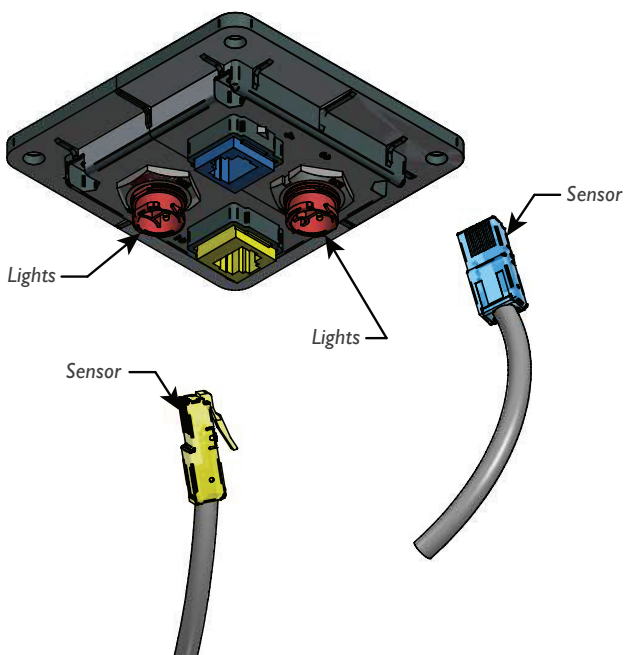
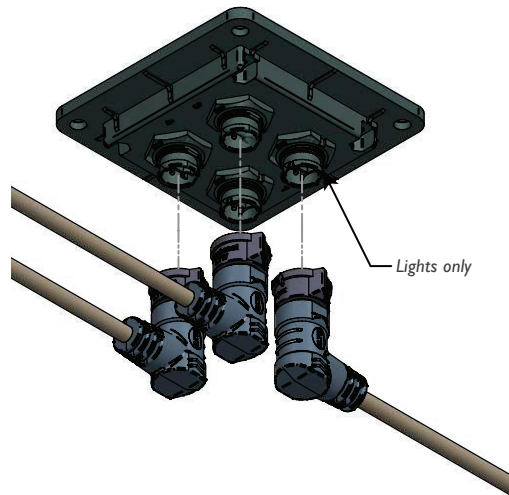
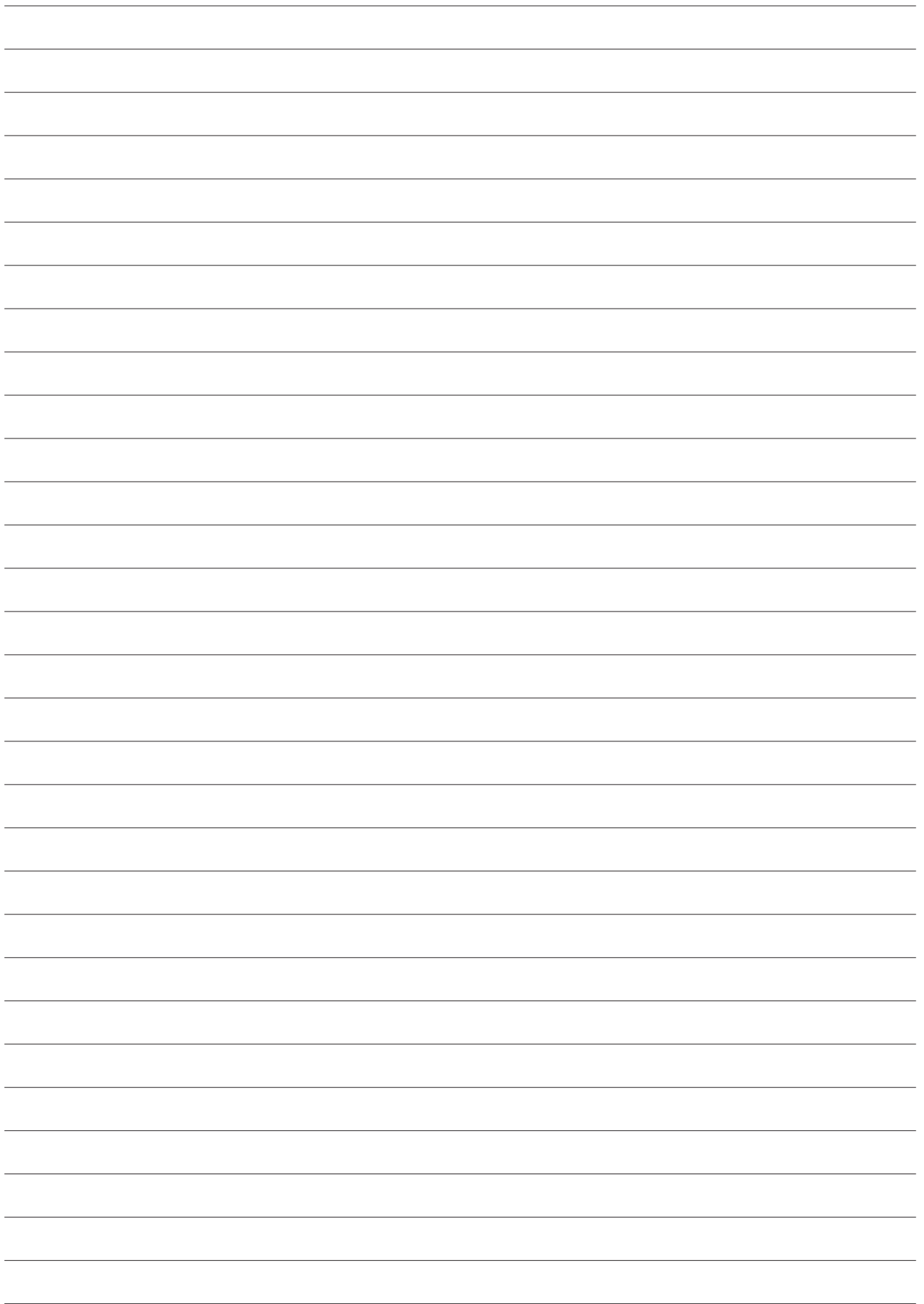


Figure 13 - Multiport - Lights







ISP DESIGN INC

www.parc-ceilings.com

Product Improvement is a continuing endeavour therefore, specifications are subject to change without notice. Consult your sales representative for current specifications or more detailed information. Not all products may be available in all geographic areas. All goods described in this document are warranted as described in the Limited Warranty.

® PARC is a registered trademark of Price Industries Limited. © 2020. v002