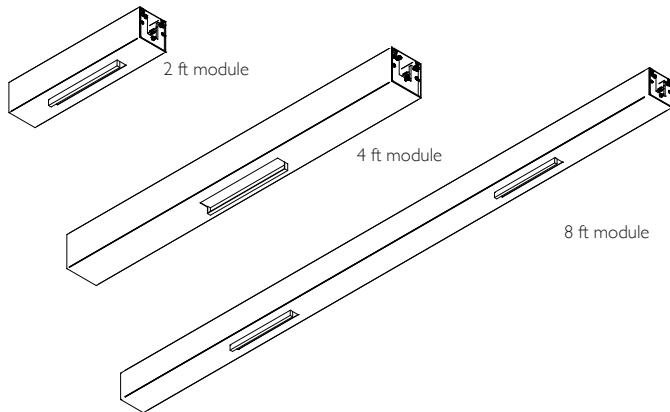




# GRID WALL WASHER MODULE

The Grid Wall Washer Module incorporates 11" wall washer lights, each with five single reflectors, providing even distribution of light along flat surfaces. Used in combination with external lighting drivers and the Grid Multisensor Module, the lights in the Grid Wall Washer Module are capable of dimming in response to daylight and occupancy/vacancy or other network commands. Modules available in 2 foot, 4 foot, and 8 foot lengths are designed for simple mechanical and electrical connection to Grid Connectors as part of the Grid system.



## Product Features

- Modular mechanical and electrical connection to the Grid system
- Precise and well-lit illumination
- Reduced glare
- Dimmable from 0%, 5 – 100%
- Easy to install and maintain
- Straight module lengths only

## Specifications

Module Length	Length	Width	Height	Weight	Luminaire Quantity
2 ft.	20 in. [508 mm]	4 in. [101.6 mm]	4 in. [101.6 mm]	6.2 lbs [2.8 kg]	1
4 ft.	44 in. [1118 mm]	4 in. [101.6 mm]	4 in. [101.6 mm]	15.5 lbs [5.2 kg]	1
8 ft.	92 in. [2337 mm]	4 in. [101.6 mm]	4 in. [101.6 mm]	19.8 lbs [9.0 kg]	2

### Module Finish

- Powder coat black or white
- Anodized black, clear, champagne, light bronze, medium bronze, and dark bronze

### Luminaire Dimensions

- Width: 1.8 in. [45 mm]
- Length: 10.9 in. [277 mm]
- 
- 

### Luminaire Finish

- Powder coat black or white

### Construction

- Fixturing Housing: Aluminum
- Module: Aluminum extrusion

Luminaire Power	Maximum Current	Operating voltage	Luminaire Flux	Source Flux	Maximum Value	Efficacy
29 W	1050 mA	26 V	3240 lm	4320 lm	2665.1 cd/klm	111.72 lm/W

### Color Temperature

- 3000K

### CRI

- >90

### Storage Temp

- 10°C to 40°C [50°F to 104°F]

### Certifications

- UL, CE, A++, IP20

### Lamp Type

- LED

### Driver

- Sold separately or secondary Grid cable

## Polar Curve

