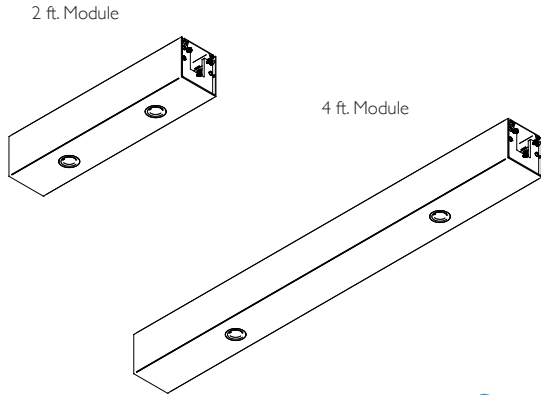




GRID DOWNLIGHT MODULE

The Grid Downlight Module contains 2 focused downlights. Used in combination with external lighting drivers and the Grid Multisensor Module, the lights in the Grid Downlight Module are capable of dimming in response to daylight and occupancy/vacancy or other network commands. Modules are designed for simple mechanical and electrical connection to Grid Connectors as part of the Grid system.



Product Features

- Modular mechanical and electrical connection to the Grid system
- Precise and well-lit illumination
- Reduced glare
- Dimmable from 0%, 5 – 100%
- Easy to install and maintain
- Straight module lengths only

Specifications

Module Length	Length	Width	Height	Weight	Luminaire Quantity
2 ft.	20 in. [508 mm]	4 in. [101.6 mm]	4 in. [101.6 mm]	5.33 lbs [2.42 kg]	2
4 ft.	44 in. [1118 mm]	4 in. [101.6 mm]	4 in. [101.6 mm]	10.8 lbs [4.89 kg]	2

Module Finish

- Powder coat black or white
- Anodized black, clear, champagne, light bronze, medium bronze, and dark bronze

Luminaire Dimensions

- Diameter: 2.69 in. [68.3 mm]

Construction

- Fixture Housing: Aluminum
- Module: Aluminum extrusion

Luminaire Finish

- Powder coat black or white

Beam Angle	Luminaire Power	Maximum Current	Operating Voltage	Source Flux	Luminaire Flux	Max Value	Efficacy	UGR
Narrow (33°)	6.5 W	250 mA	27 V	680 lm	511 lm	78.6 lm/W	1517.5 cd/klm	<0
Medium (47°)	6.5 W	250 mA	27 V	680 lm	528 lm	81.23 lm/W	1702.1 cd/klm	<0
Wide (65°)	6.5 W	250 mA	27 V	680 lm	532 lm	81.84 lm/W	872.22 cd/klm	<8

Color Temperature

- 3000K

CRI

- >90

Storage Temp

- 10°C to 40°C [50°F to 104°F]

Certifications

- UL, CE, A++, IP20

MacAdam

- 3

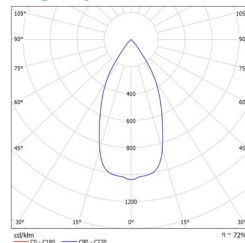
Lamp Type

- LED

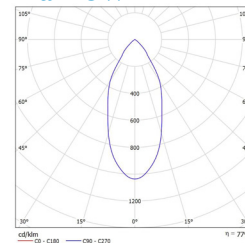
Driver

- Sold separately

Medium



Narrow



Wide

