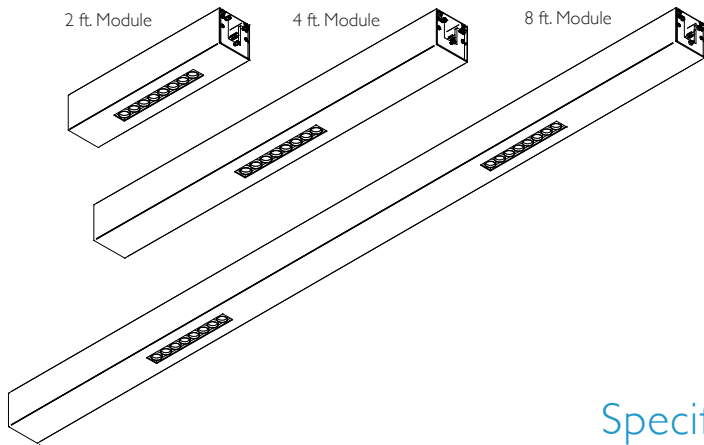




GRID MULTI-DOWNLIGHT MODULE

The Grid Multi-Downlight Module contains one or two multi-downlight fixtures, each with eight single reflector spots, which enables a precise and well-lit illumination. It can be used in a variety of applications from small offices to hospitality or lobby spaces. Used in combination with external lighting drivers and the Grid Multisensor Module these recessed spotlights are capable of dimming in response to daylight, occupancy/vacancy or other network commands.



Product Features

- Modular mechanical and electrical connection to the Grid system
- Precise and well-lit illumination
- Reduced glare
- Dimmable from 0%, 5 – 100%
- Easy to install and maintain
- Straight module lengths only

Specifications

Module Length	Length	Width	Height	Weight	Luminaire Quantity
2 ft.	20 in. [508 mm]	4 in. [101.6 mm]	4 in. [101.6 mm]	5.8 lbs [2.6 kg]	1
4 ft.	44 in. [1118mm]	4 in. [101.6 mm]	4 in. [101.6 mm]	11.0 lbs [5.0 kg]	1
8 ft.	92 in. [2337 mm]	4 in. [101.6 mm]	4 in. [101.6 mm]	17.7 lbs [8.0 kg]	2

Module Finish

- Powder coat black or white
- Anodized black, clear, champagne, light bronze, medium bronze, and dark bronze

Luminaire Dimensions

- Width: 1.8 in. [45 mm]
- Length: 10.9 in. [277 mm]

Luminaire Finish

- Powder coat black or white

Construction

- Fixture Housing: Aluminum
- Module: Aluminum extrusion

Beam Angle	Luminaire Power	Maximum Current	Operating Voltage	Source Flux	Luminaire Flux	Max Value	Efficacy	UGR
Narrow (20°)	24 W	1050 mA	24 V	1950 lm	1390.4 lm	6294.8 cd/klm	57.93 lm/W	<0
Medium (40°)	24 W	1050 mA	24 V	1950 lm	1298.7 lm	1480.9 cd/klm	54.11 lm/W	<0

Light

- Adjustability: Fixed
- Light Distribution: Direct

Color Temperature

- 3000K

CRI

- >90

Storage Temp

- 10° to 40° [50°F to 104°F]

Certifications

- UL, CE, A++, IP20

MacAdam

- 3

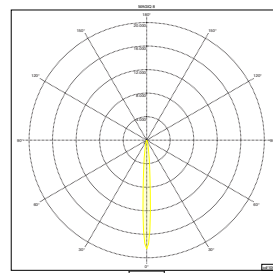
Lamp Type

- LED

Driver

- Sold separately

Narrow



Medium

