

SUBMITTAL

GENERAL CONSTRUCTION - NODE CEILING ROSE

PROJECT CHECKLIST

TAG: _____

QUANTITY: _____

STYLE:

- PENDANT LIGHT
- BLANK
- CUSTOM

CONFIGURATION:

- BLANK
- 1.5MM WIRE
- HOLE SIZE: _____

MOUNTING:

- FLUSH CHANNEL
- RECESSED CHANNEL
- TRIMLESS
- SURFACE MOUNT

MOUNTING ADAPTER:

- NOT REQUIRED
- 4IN ROUND/OCT DEVICE BOX
- 20MM CONDUIT JUNCTION BOX

HOUSING COLOR:

- BLACK POLYMER - B17
- WHITE POLYMER - RAL 9016

DEVICE FACE FINISH:

- BLACK POLYMER - B17
- WHITE POLYMER - RAL 9016
- BLACK - PRICE B17
- WHITE - RAL 9016
- ANODIZED - CLEAR SATIN
- ANODIZED - CHAMPAGNE SATIN
- ANODIZED - LIGHT BRONZE SATIN
- ANODIZED - MEDIUM BRONZE SATIN
- ANODIZED - DARK BRONZE SATIN
- ANODIZED - BLACK SATIN

PARC

A Price Company

WEBSITE: WWW.PARC-CEILINGS.COM

CONSTRUCTION:

- DEVICE CASING
 - o MOULDED POLYMER
- OUTER HOUSINGS
 - o MOULDED POLYMER

FINISH:

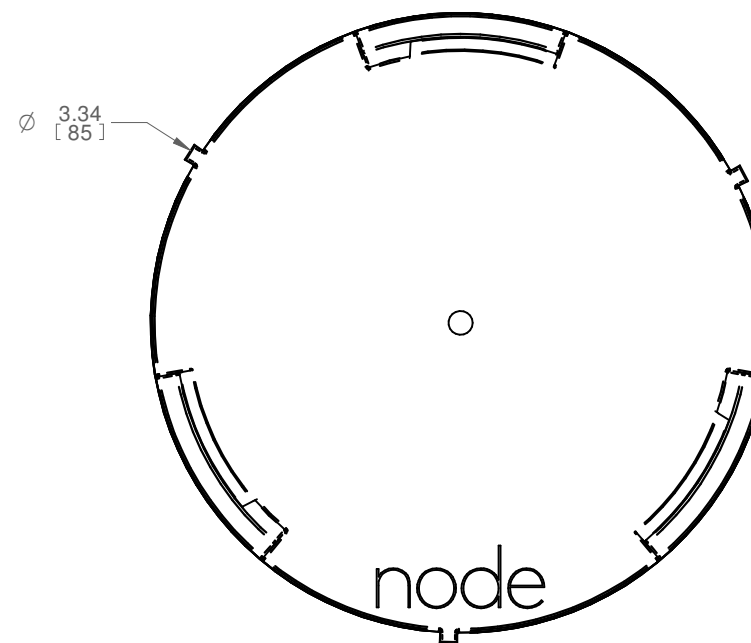
- ALL HARDWARE: MILL FINISH UNLESS OTHERWISE SPECIFIED

ASSEMBLY AND INSTALLATION

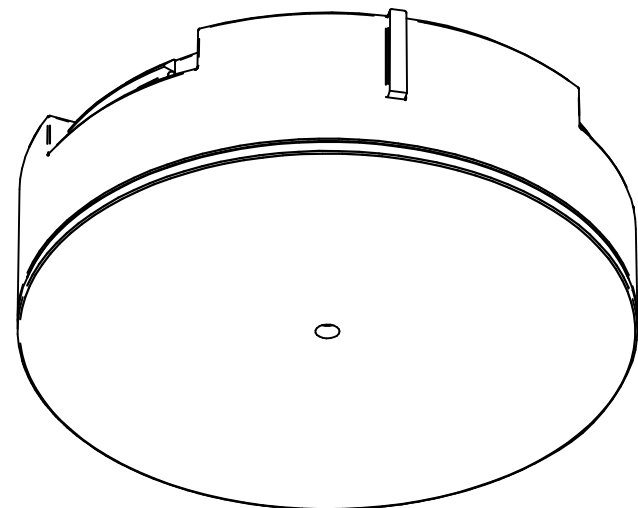
- ALL COMPONENTS SHOWN ARE FACTORY ASSEMBLED BY PARC UNLESS OTHERWISE NOTED
- ALL INSTALLATION BY OTHERS AND METHODS SHOWN ARE NOTIONAL
- (ASSY BY OTHERS): PROVIDED BY PARC, FIELD ASSEMBLED BY OTHERS
- (BY OTHERS): PROVIDED AND FIELD ASSEMBLED BY OTHERS

NOTES:

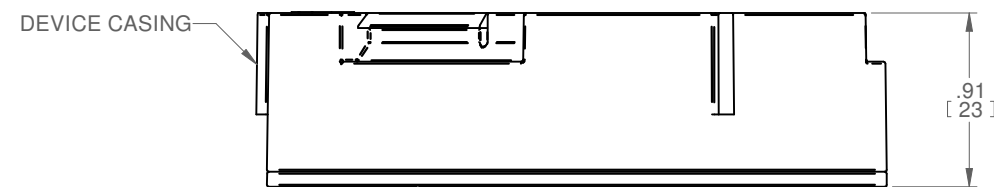
- DIMENSIONS SHOWN IN PARENTHESES ARE FOR REFERENCE ONLY (X.XX)
- METRIC DIMENSIONS SHOWN IN BRACKETS [X.XX]
- PRODUCT FINISH MAY VARY IN TONE, GLOSS AND TEXTURE; VARIATIONS ARE WITHIN PARC QUALITY STANDARDS
- TBC: DETAILS TO BE CONFIRMED



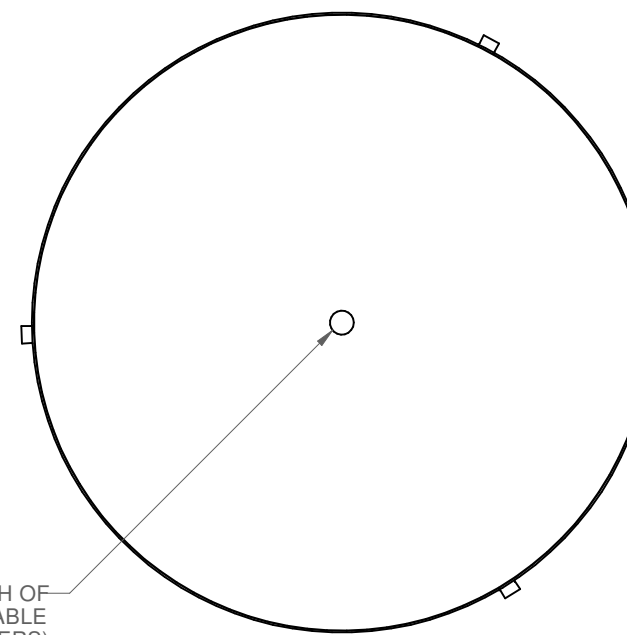
TOP VIEW



ISOMETRIC VIEW



SIDE VIEW



BOTTOM VIEW

CUTOUT FOR PASS THROUGH OF PENDANT LIGHT CABLE (PENDANT LIGHT BY OTHERS)

B	2020-10-28	AS	JAC
A	2020-06-16	NPT	SMB
REV	DATE	DRAWN BY	CHECKED BY

ALL DIMENSIONS IN INCHES UNLESS OTHERWISE SPECIFIED

TOLERANCES UNLESS OTHERWISE SPECIFIED			
LINEAR	X.X ± .06	X.XX ± .03	X.XXX ± .01 INCHES
ANGULAR	X ± 1	X.X ± .5	X.XX ± .25 DEGREES

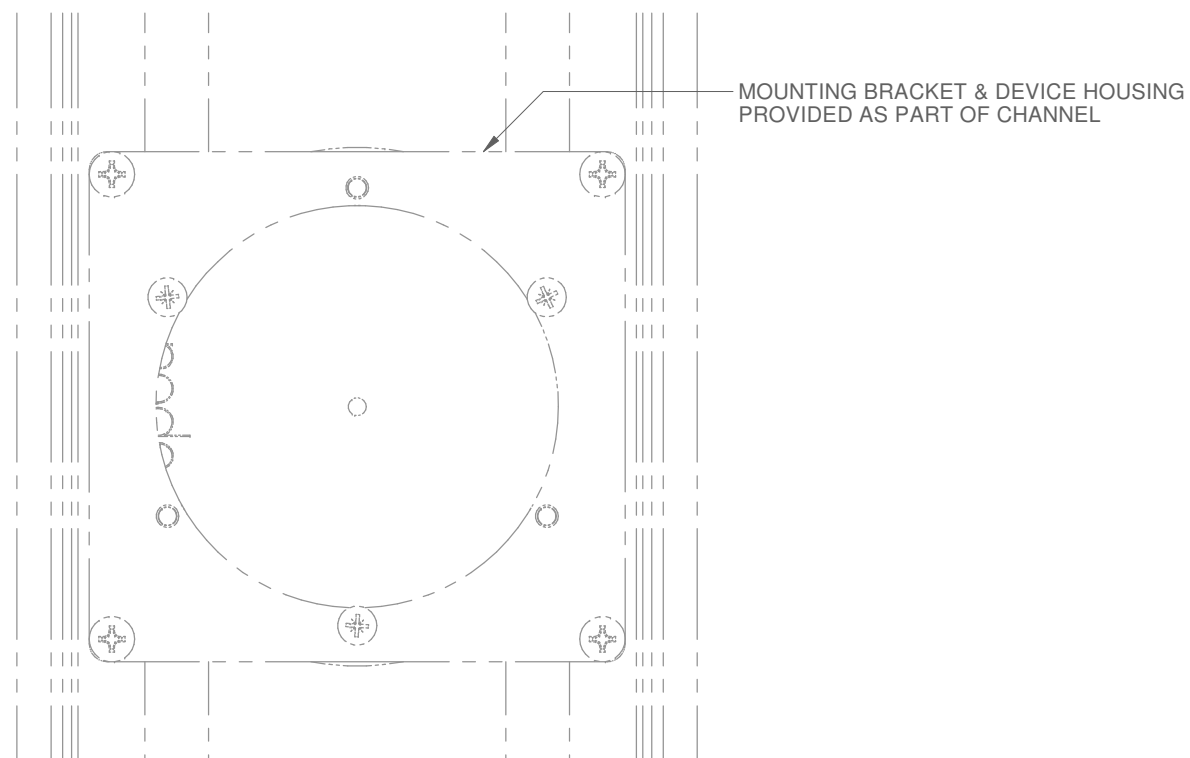
PROJECT

DRAWING TITLE
NODE CEILING ROSE SUBMITTAL

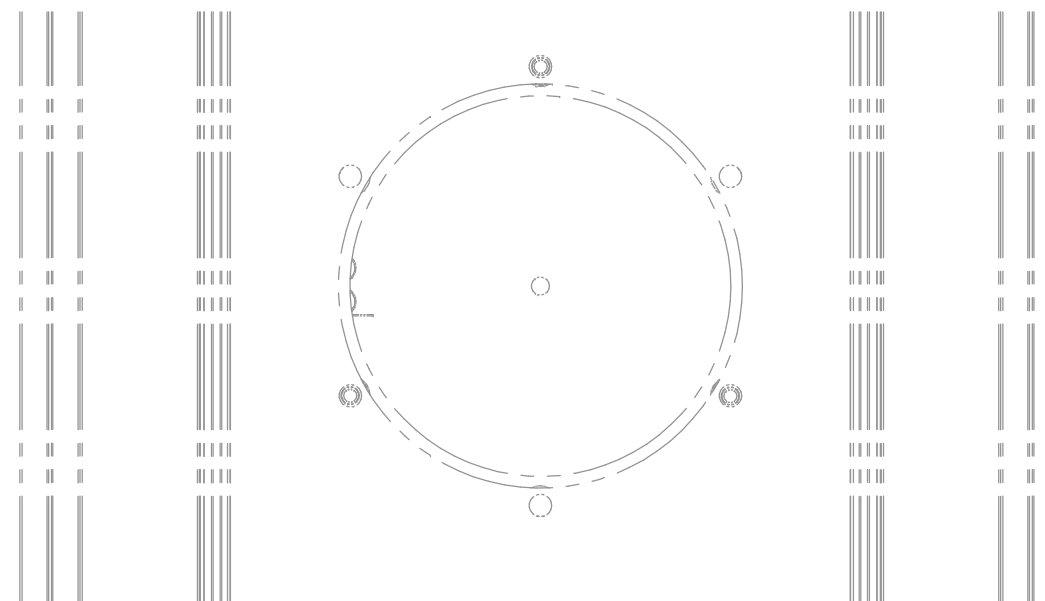
SUBMITTAL NUMBER	272423	SHEET 1 OF 5	SIZE B
------------------	---------------	--------------	--------

© COPYRIGHT PRICE INDUSTRIES 2020

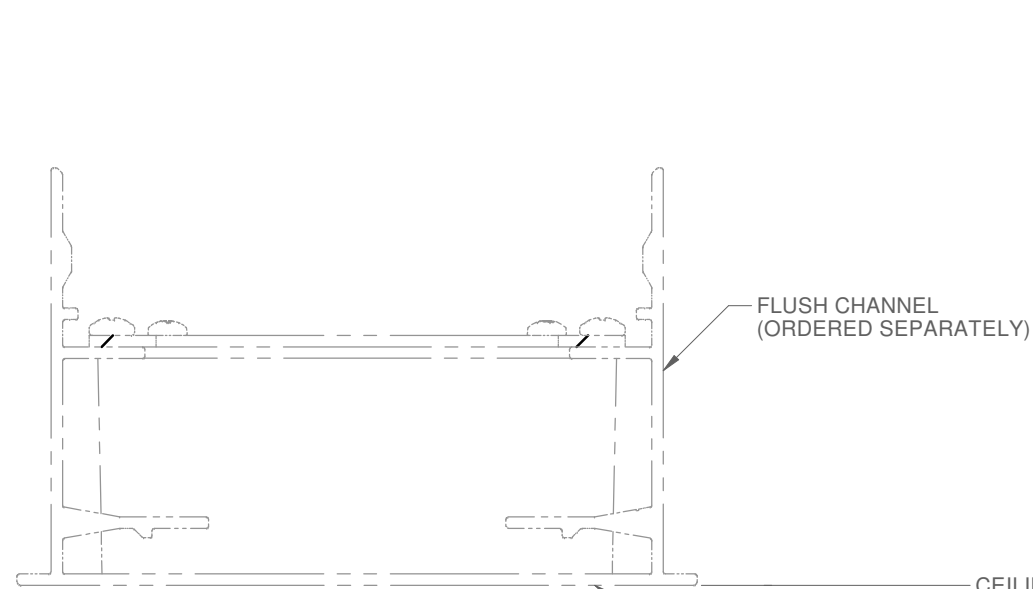
GENERAL CONSTRUCTION - CHANNEL MOUNTED



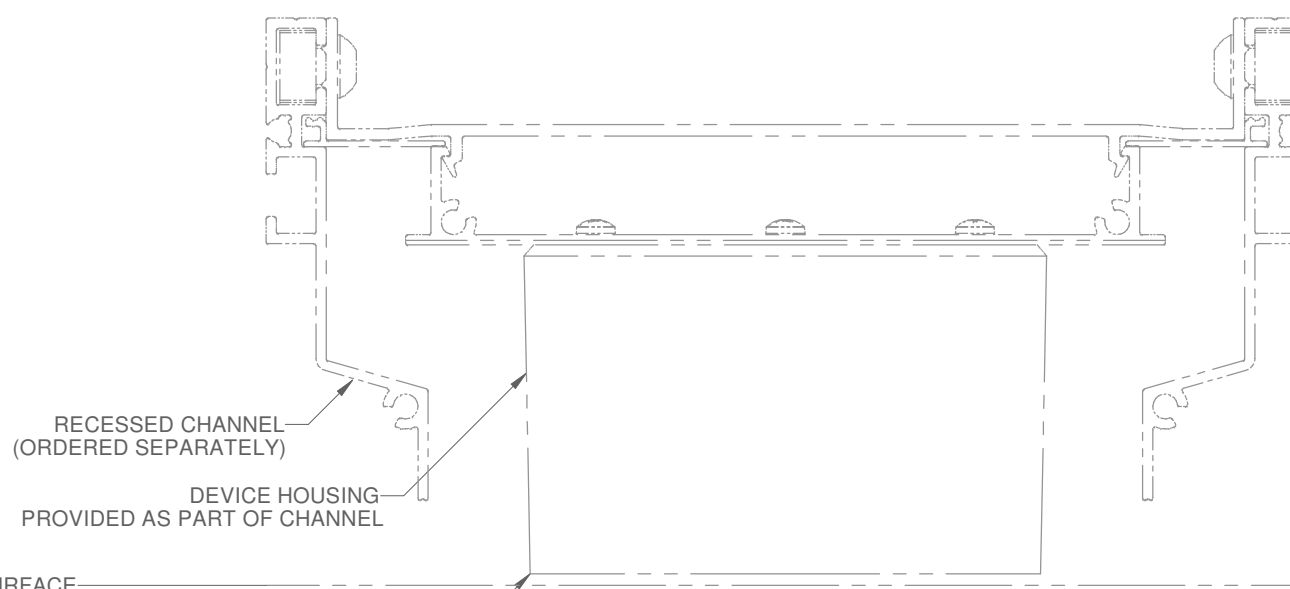
FLUSH CHANNEL TOP VIEW



RECESSED CHANNEL TOP VIEW



FLUSH CHANNEL END VIEW



RECESSED CHANNEL END VIEW

CONSTRUCTION:

- DEVICE CASING
 - o MOULDED POLYMER
- OUTER HOUSINGS
 - o MOULDED POLYMER

FINISH:

- ALL HARDWARE: MILL FINISH UNLESS OTHERWISE SPECIFIED

ASSEMBLY AND INSTALLATION

- ALL COMPONENTS SHOWN ARE FACTORY ASSEMBLED BY PARC UNLESS OTHERWISE NOTED
- ALL INSTALLATION BY OTHERS AND METHODS SHOWN ARE NOTIONAL
- (ASSY BY OTHERS): PROVIDED BY PARC, FIELD ASSEMBLED BY OTHERS
- (BY OTHERS): PROVIDED AND FIELD ASSEMBLED BY OTHERS

NOTES:

- DIMENSIONS SHOWN IN PARENTHESES ARE FOR REFERENCE ONLY (X.XX)
- METRIC DIMENSIONS SHOWN IN BRACKETS [X.XX]
- PRODUCT FINISH MAY VARY IN TONE, GLOSS AND TEXTURE; VARIATIONS ARE WITHIN PARC QUALITY STANDARDS
- TBC: DETAILS TO BE CONFIRMED

REV	DATE	DRAWN BY	CHECKED BY
B	2020-10-28	AS	JAC
A	2020-06-16	NPT	SMB

ALL DIMENSIONS IN INCHES UNLESS OTHERWISE SPECIFIED

TOLERANCES UNLESS OTHERWISE SPECIFIED				
LINEAR	X.X ± .06	X.XX ± .03	X.XXX ± .01	INCHES
ANGULAR	X ± 1	X.X ± .5	X.XX ± .25	DEGREES

PROJECT

DRAWING TITLE
NODE CEILING ROSE SUBMITTAL

SUBMITTAL NUMBER	272423	SHEET 2 OF 5	SIZE B
------------------	---------------	--------------	--------

GENERAL CONSTRUCTION - TRIMLESS

CONSTRUCTION:

- DEVICE CASING
 - o MOULDED POLYMER
- OUTER HOUSINGS
 - o MOULDED POLYMER

FINISH:

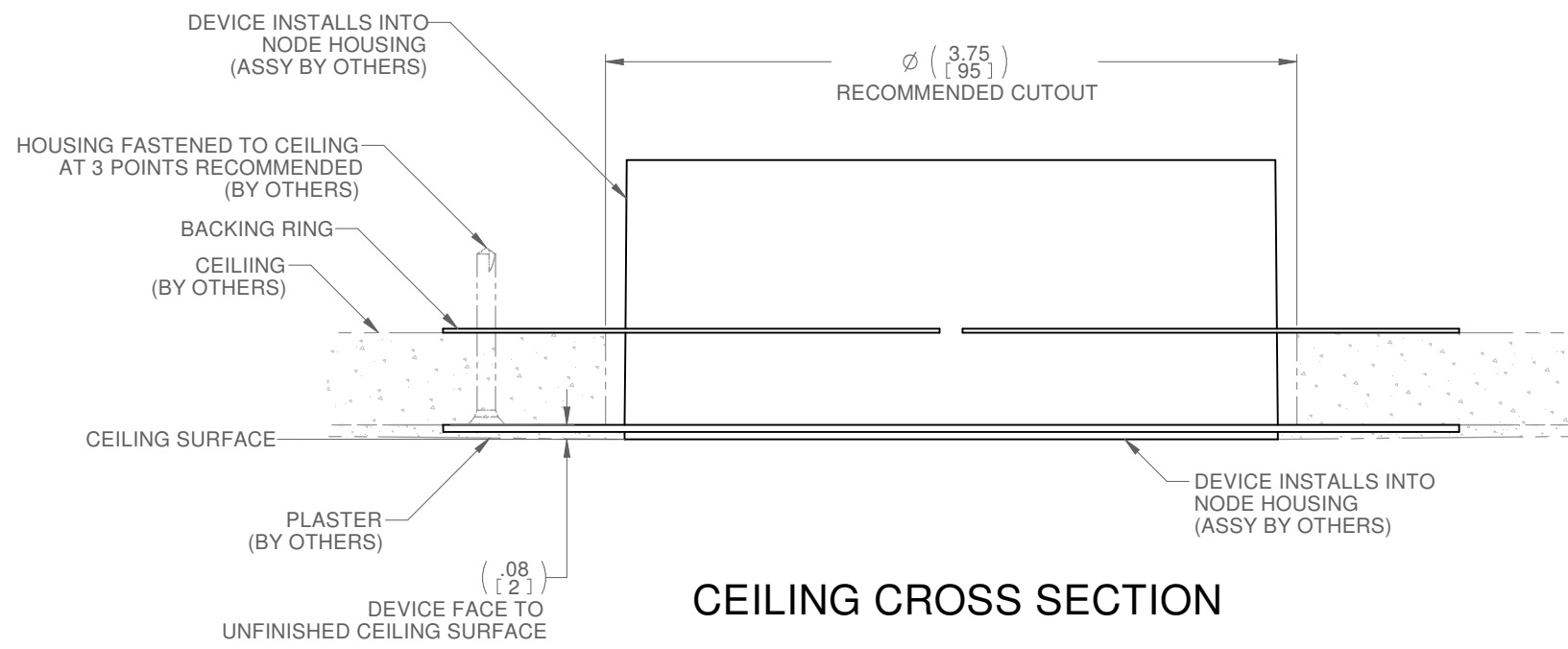
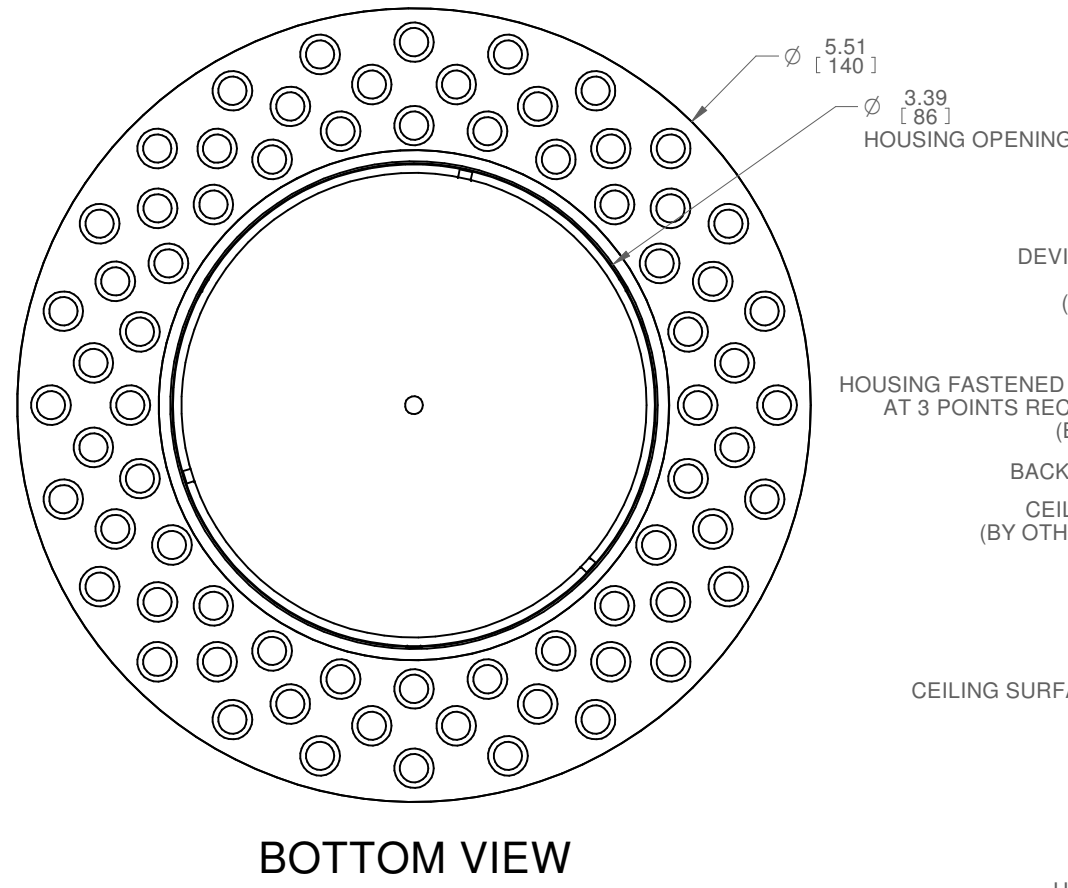
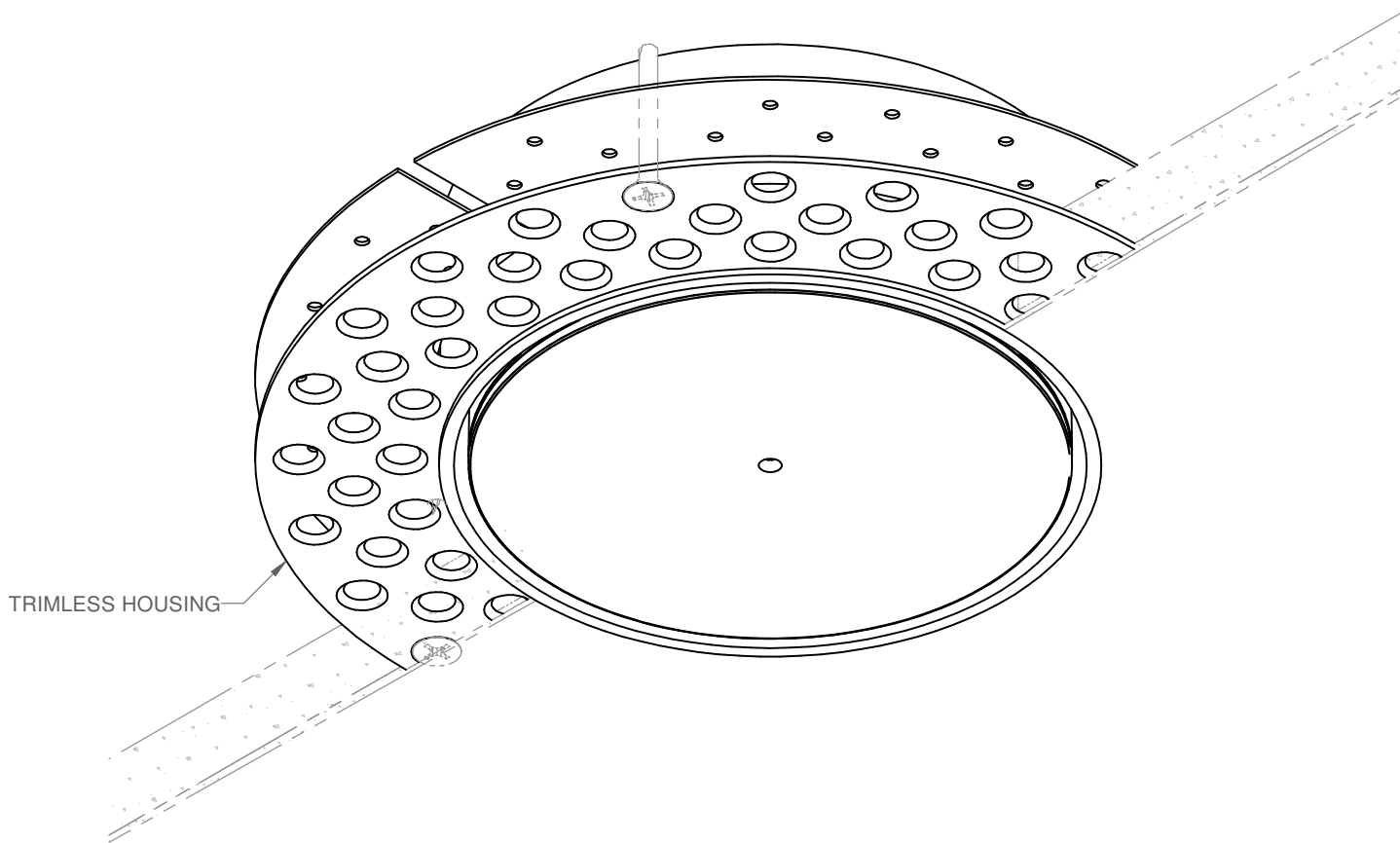
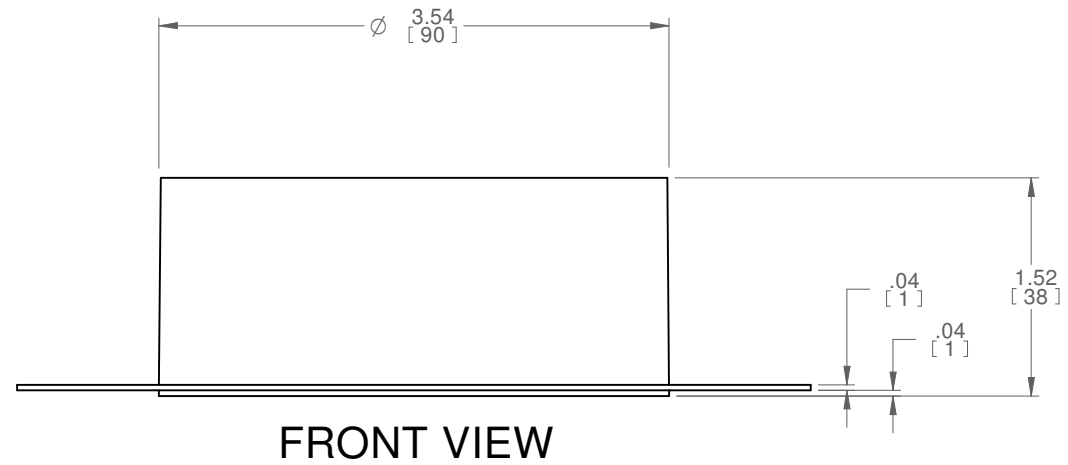
- ALL HARDWARE: MILL FINISH UNLESS OTHERWISE SPECIFIED

ASSEMBLY AND INSTALLATION

- ALL COMPONENTS SHOWN ARE FACTORY ASSEMBLED BY PARC UNLESS OTHERWISE NOTED
- ALL INSTALLATION BY OTHERS AND METHODS SHOWN ARE NOTIONAL
- (ASSY BY OTHERS): PROVIDED BY PARC, FIELD ASSEMBLED BY OTHERS
- (BY OTHERS): PROVIDED AND FIELD ASSEMBLED BY OTHERS

NOTES:

- DIMENSIONS SHOWN IN PARENTHESES ARE FOR REFERENCE ONLY (X.XX)
- METRIC DIMENSIONS SHOWN IN BRACKETS [X.XX]
- PRODUCT FINISH MAY VARY IN TONE, GLOSS AND TEXTURE; VARIATIONS ARE WITHIN PARC QUALITY STANDARDS
- TBC: DETAILS TO BE CONFIRMED



REV	DATE	DRAWN BY	CHECKED BY
B	2020-10-28	AS	JAC
A	2020-06-16	NPT	SMB

ALL DIMENSIONS IN INCHES UNLESS OTHERWISE SPECIFIED

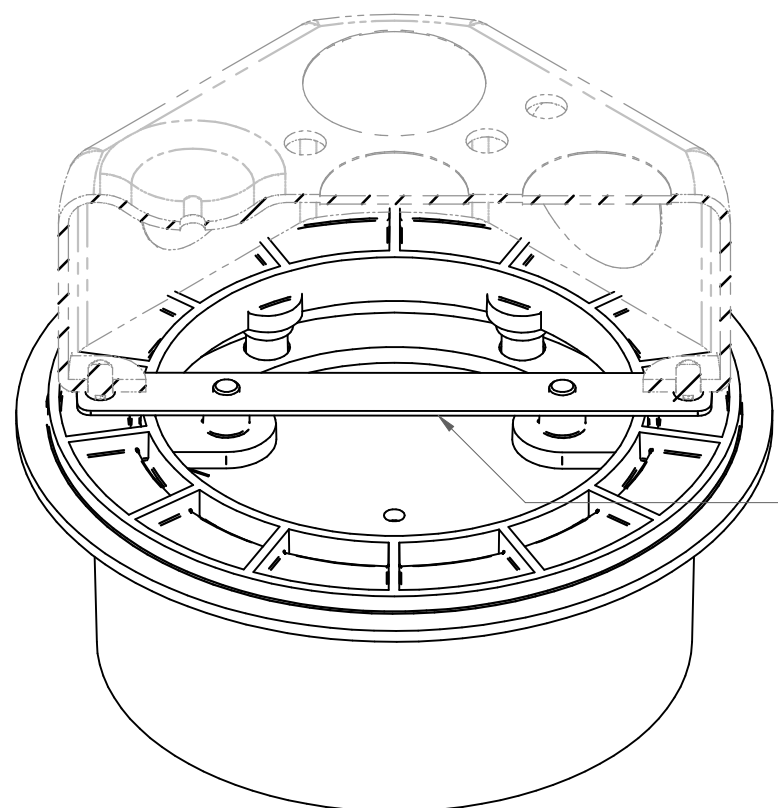
TOLERANCES UNLESS OTHERWISE SPECIFIED	LINEAR	ANGULAR
	X.X ± .06	X ± 1
	X.XX ± .03	X.X ± .5
	X.XXX ± .01	X.XX ± .25

PROJECT

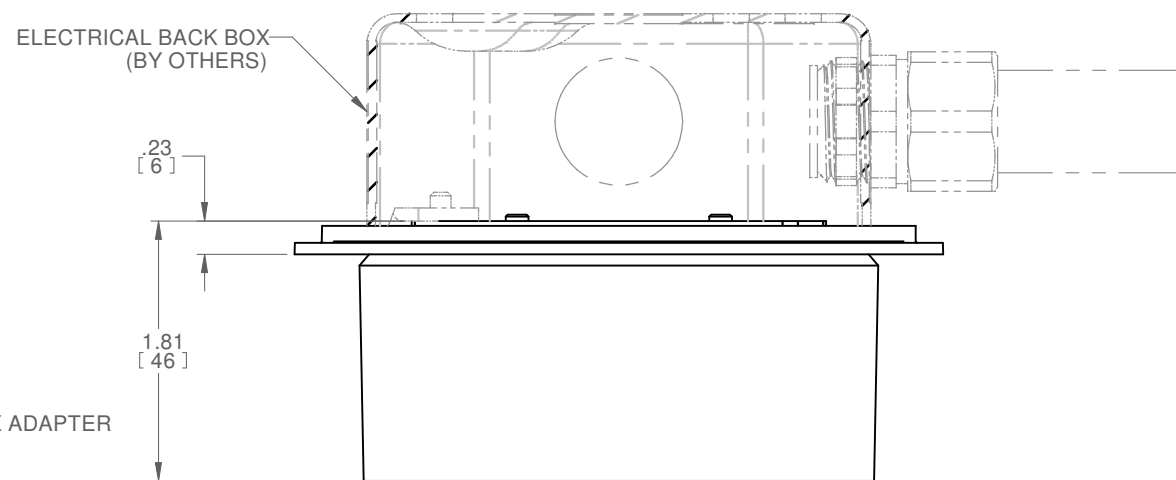
DRAWING TITLE
NODE CEILING ROSE SUBMITTAL

SUBMITTAL NUMBER	272423	SHEET 3 OF 5	SIZE B
------------------	---------------	--------------	---------------

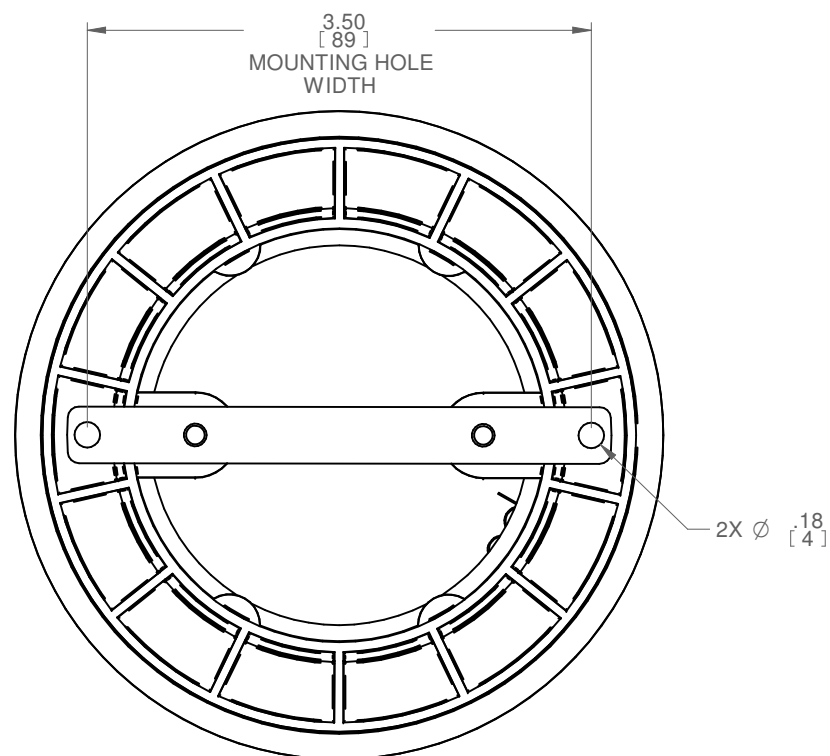
GENERAL CONSTRUCTION - SURFACE MOUNT



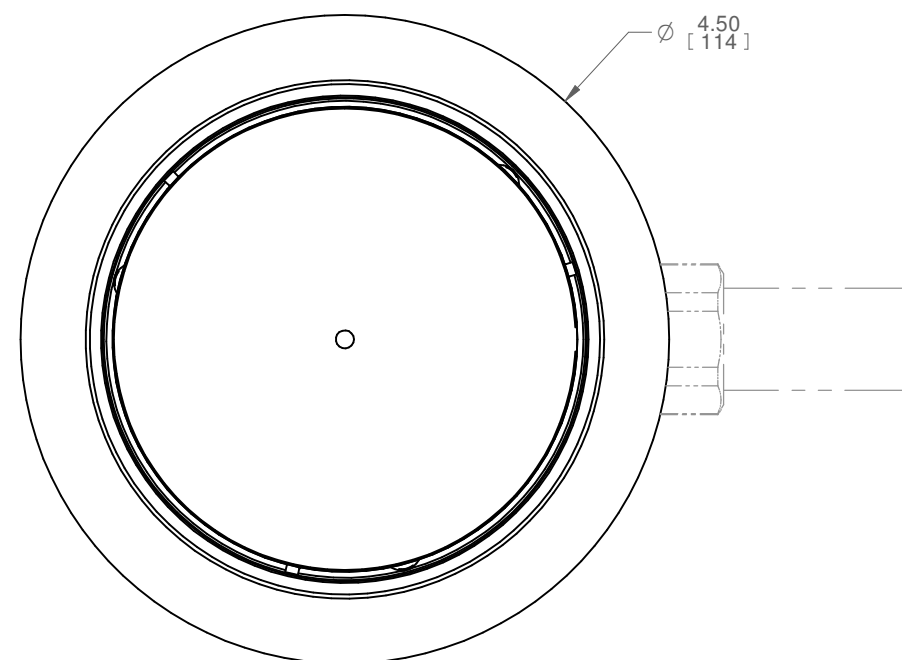
ISOMETRIC VIEW
4IN ROUND/OCT BOX



SIDE VIEW
4IN ROUND/OCT BOX



TOP VIEW
4IN ROUND/OCT BOX



BOTTOM VIEW
4IN ROUND/OCT BOX

CONSTRUCTION:

- DEVICE CASING
 - o MOULDED POLYMER
- OUTER HOUSINGS
 - o MOULDED POLYMER

FINISH:

- ALL HARDWARE: MILL FINISH UNLESS OTHERWISE SPECIFIED

ASSEMBLY AND INSTALLATION

- ALL COMPONENTS SHOWN ARE FACTORY ASSEMBLED BY PARC UNLESS OTHERWISE NOTED
- ALL INSTALLATION BY OTHERS AND METHODS SHOWN ARE NOTIONAL
- (ASSY BY OTHERS): PROVIDED BY PARC, FIELD ASSEMBLED BY OTHERS
- (BY OTHERS): PROVIDED AND FIELD ASSEMBLED BY OTHERS

NOTES:

- DIMENSIONS SHOWN IN PARENTHESES ARE FOR REFERENCE ONLY (X.XX)
- METRIC DIMENSIONS SHOWN IN BRACKETS [X.XX]
- PRODUCT FINISH MAY VARY IN TONE, GLOSS AND TEXTURE; VARIATIONS ARE WITHIN PARC QUALITY STANDARDS
- TBC: DETAILS TO BE CONFIRMED

REV	DATE	DRAWN BY	CHECKED BY
B	2020-10-28	AS	JAC
A	2020-06-16	NPT	SMB

ALL DIMENSIONS IN INCHES UNLESS OTHERWISE SPECIFIED

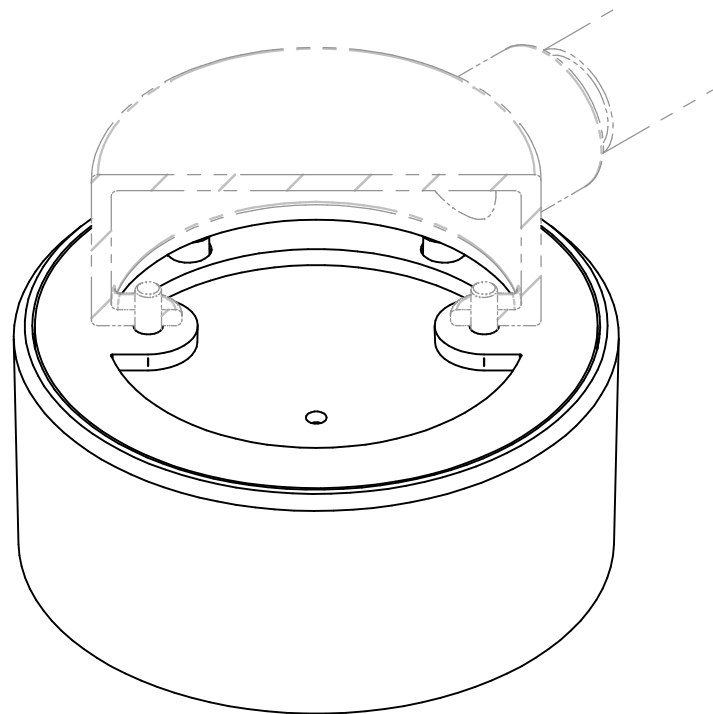
TOLERANCES UNLESS OTHERWISE SPECIFIED				
LINEAR	X.X ± .06	X.XX ± .03	X.XXX ± .01	INCHES
ANGULAR	X ± 1	X.X ± .5	X.XX ± .25	DEGREES

PROJECT

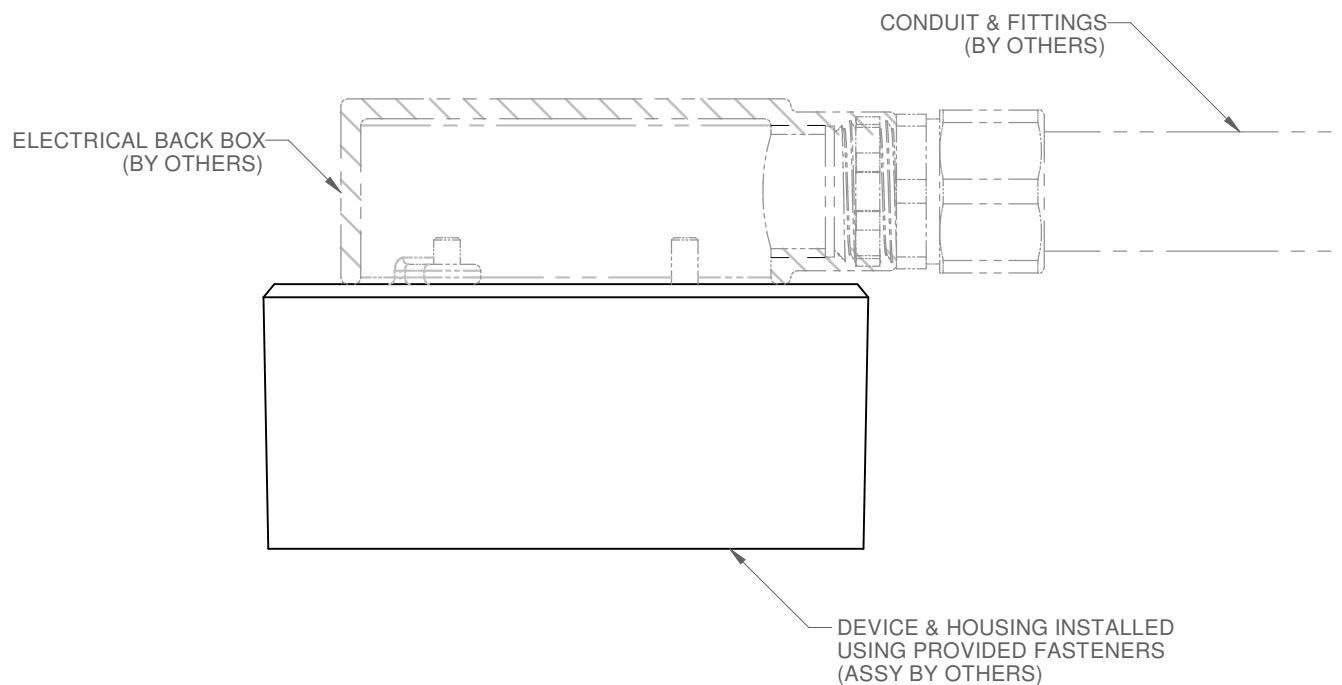
DRAWING TITLE
NODE CEILING ROSE SUBMITTAL

SUBMITTAL NUMBER	272423	SHEET 4 OF 5	SIZE B
------------------	---------------	--------------	--------

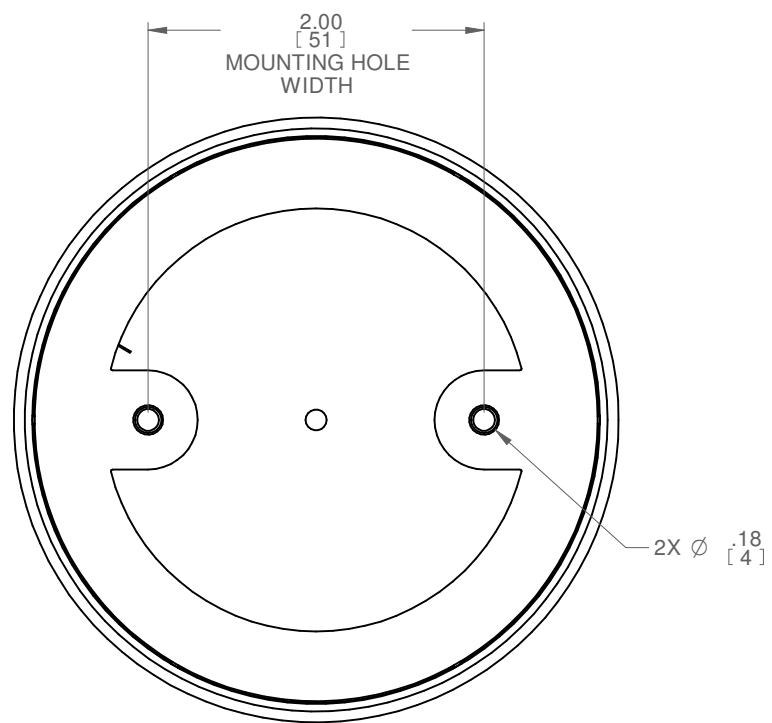
GENERAL CONSTRUCTION - SURFACE MOUNT (CONTINUED)



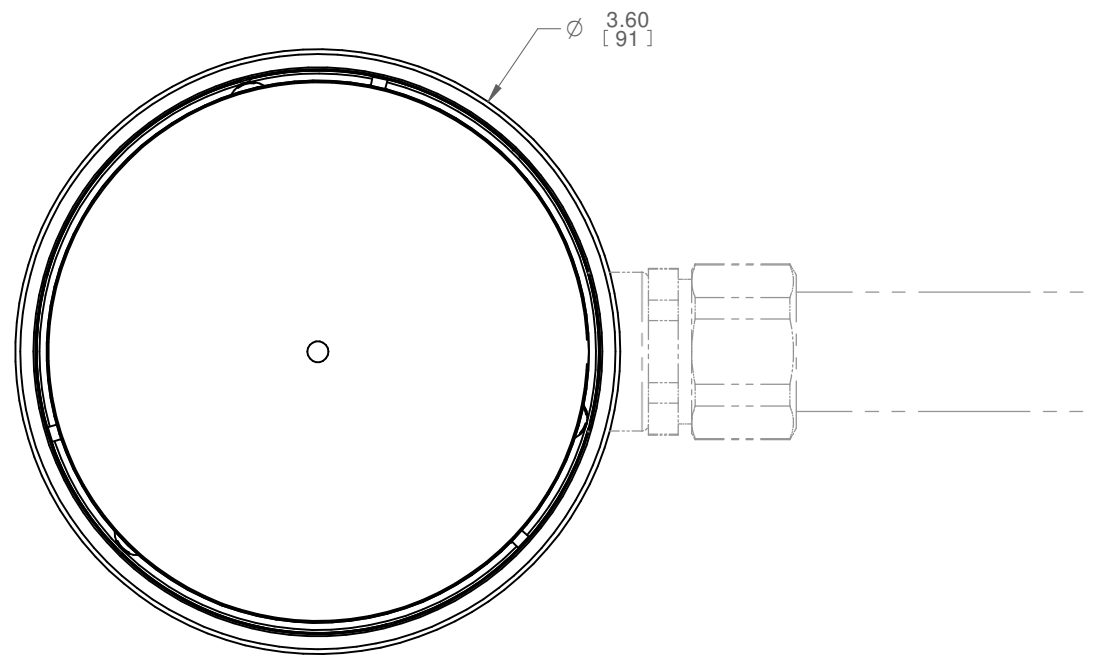
ISOMETRIC VIEW
20MM CONDUIT JUNCTION BOX



SIDE VIEW
20MM CONDUIT JUNCTION BOX



TOP VIEW
20MM CONDUIT JUNCTION BOX



BOTTOM VIEW
20MM CONDUIT JUNCTION BOX

CONSTRUCTION:

- DEVICE CASING
 - o MOULDED POLYMER
- OUTER HOUSINGS
 - o MOULDED POLYMER

FINISH:

- ALL HARDWARE: MILL FINISH UNLESS OTHERWISE SPECIFIED

ASSEMBLY AND INSTALLATION

- ALL COMPONENTS SHOWN ARE FACTORY ASSEMBLED BY PARC UNLESS OTHERWISE NOTED
- ALL INSTALLATION BY OTHERS AND METHODS SHOWN ARE NOTIONAL
- (ASSY BY OTHERS): PROVIDED BY PARC, FIELD ASSEMBLED BY OTHERS
- (BY OTHERS): PROVIDED AND FIELD ASSEMBLED BY OTHERS

NOTES:

- DIMENSIONS SHOWN IN PARENTHESES ARE FOR REFERENCE ONLY (X.XX)
- METRIC DIMENSIONS SHOWN IN BRACKETS [X.XX]
- PRODUCT FINISH MAY VARY IN TONE, GLOSS AND TEXTURE; VARIATIONS ARE WITHIN PARC QUALITY STANDARDS
- TBC: DETAILS TO BE CONFIRMED

REV	DATE	DRAWN BY	CHECKED BY
B	2020-10-28	AS	JAC
A	2020-06-16	NPT	SMB

ALL DIMENSIONS IN INCHES UNLESS OTHERWISE SPECIFIED

TOLERANCES UNLESS OTHERWISE SPECIFIED			
LINEAR	X.X ± .06	X.XX ± .03	X.XXX ± .01 INCHES
ANGULAR	X ± 1	X.X ± .5	X.XX ± .25 DEGREES

PROJECT

DRAWING TITLE
NODE CEILING ROSE SUBMITTAL

SUBMITTAL NUMBER	272423	SHEET 5 OF 5	SIZE B
------------------	---------------	--------------	--------