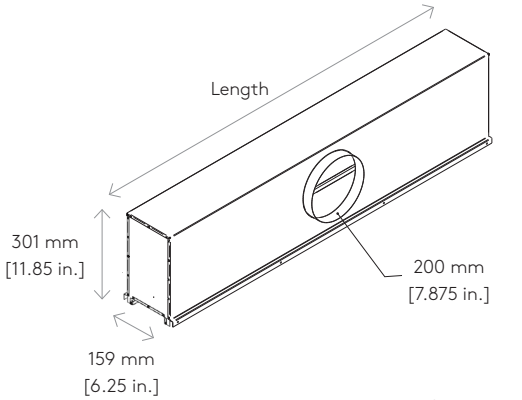


# Recessed Channel Plenum

The Recessed Channel Plenum is designed to integrate seamlessly with the Node Recessed Channel system. Integrating into the shadow gap within the Node channel, the Recessed Channel Plenum provides options for air distribution in a horizontal or vertical throw pattern.



## Product Features

- Diffuser is hidden from sight
- Select Node devices can be co-located with the diffuser
- High thermal comfort
- Available in 2ft., and 4ft. lengths with specials available on request

## Vertical Pattern - Metric Performance Data

Flow Rate (l/s)	Textile Ceiling Applications			Other Ceiling Applications		
	Throw (m)	Static Pressure (Pa)	NC	Throw (m)	Static Pressure (Pa)	NC
31	0 - 0 - 0.6	1	<10	0 - 0.3 - 1.2	1	<10
46	0 - 0.3 - 1.2	3	<10	0.3 - 0.6 - 2.4	3	<10
62	0.3 - 0.6 - 2.1	6	<10	0.6 - 1.2 - 3.7	6	<10
77	0.3 - 0.9 - 2.7	10	22	0.9 - 1.8 - 4.6	10	17
92	0.6 - 1.2 - 3.4	15	28	1.2 - 2.4 - 4.9	14	24
108	0.6 - 1.8 - 4	20	33	1.5 - 3.4 - 5.5	20	29
123	0.9 - 2.1 - 4.3	28	36	1.8 - 3.7 - 5.8	27	33
139	1.2 - 2.4 - 4.9	36	39	2.4 - 4.3 - 6.1	35	36
154	1.5 - 2.7 - 4.9	44	42	3 - 4.6 - 6.4	42	39
169	1.8 - 3 - 5.2	54	45	3.4 - 4.9 - 6.7	54	42
185	2.1 - 3.4 - 5.5	66	47	3.7 - 4.9 - 7	65	45

## Horizontal Pattern - Metric Performance Data

Flow Rate (l/s)	Textile Ceiling Applications			Other Ceiling Applications		
	Throw (m)	Static Pressure (Pa)	NC	Throw (m)	Static Pressure (Pa)	NC
23	0.6 - 1.2 - 3	4	<10	0.6 - 1.2 - 3	4	<10
31	0.9 - 1.8 - 4.3	9	<10	0.9 - 2.1 - 4.3	8	<10
39	1.2 - 2.7 - 5.2	13	<10	1.5 - 2.7 - 5.2	12	<10
46	1.8 - 3 - 6.4	18	21	2.1 - 3 - 6.4	17	18
54	2.4 - 3.7 - 7.3	25	25	2.4 - 3.7 - 7.3	23	23
62	2.7 - 4.3 - 8.2	32	29	2.7 - 4.3 - 8.2	31	27
69	3 - 4.6 - 8.5	41	32	3 - 4.6 - 8.5	39	30
77	3.4 - 5.2 - 9.1	50	35	3.4 - 5.2 - 9.1	48	33
85	4 - 5.8 - 9.4	60	37	4 - 5.8 - 9.4	58	36
92	4.3 - 6.4 - 10.1	72	40	4.3 - 6.4 - 10.1	70	38

### Performance Notes

1. Flow rates listed per 1m of plenum length.
2. Units tested in accordance with ASHRAE Standard 70-2006.
3. Throw values are measured in meters for terminal velocities of 0.75 m/s (minimum), 0.50 m/s (middle), and 0.25 m/s (maximum).
4. Throw data is based on supply air and room air being at isothermal conditions.
5. NC values are based on room absorption of 10 dB re 10<sup>-12</sup> watts and one diffuser.
6. Textile ceiling applications refer to installations of Node Recessed Channel with a Soft Cells or Weave ceiling, installed per PARC recommended spacings.

## Vertical Pattern - Imperial Performance Data

Flow Rate (CFM)	Textile Ceiling Applications			Other Ceiling Applications		
	Throw (ft)	Static Pressure (in. w.g.)	NC	Throw (ft)	Static Pressure (in. w.g.)	NC
20	0 - 0 - 2	0.006	<10	0 - 1 - 4	0.004	<10
30	0 - 1 - 4	0.014	<10	1 - 2 - 8	0.012	<10
40	1 - 2 - 7	0.025	<10	2 - 4 - 12	0.024	<10
50	1 - 3 - 9	0.041	22	3 - 6 - 15	0.039	17
60	2 - 4 - 11	0.059	28	4 - 8 - 16	0.057	24
70	2 - 6 - 13	0.082	33	5 - 11 - 18	0.08	29
80	3 - 7 - 14	0.111	36	6 - 12 - 19	0.108	33
90	4 - 8 - 16	0.143	39	8 - 14 - 20	0.139	36
100	5 - 9 - 16	0.176	42	10 - 15 - 21	0.17	39
110	6 - 10 - 17	0.219	45	11 - 16 - 22	0.215	42
120	7 - 11 - 18	0.267	47	12 - 16 - 23	0.261	45

## Horizontal Pattern - Imperial Performance Data

Flow Rate (CFM)	Textile Ceiling Applications			Other Ceiling Applications		
	Throw (ft)	Static Pressure (in. w.g.)	NC	Throw (ft)	Static Pressure (in. w.g.)	NC
15	2 - 4 - 10	0.017	<10	2 - 4 - 10	0.016	<10
20	3 - 6 - 14	0.035	<10	3 - 7 - 14	0.031	<10
25	4 - 9 - 17	0.052	<10	5 - 9 - 17	0.048	<10
30	6 - 10 - 21	0.073	21	7 - 10 - 21	0.069	18
35	8 - 12 - 24	0.099	25	8 - 12 - 24	0.093	23
40	9 - 14 - 27	0.130	29	9 - 14 - 27	0.123	27
45	10 - 15 - 28	0.165	32	10 - 15 - 28	0.156	30
50	11 - 17 - 30	0.200	35	11 - 17 - 30	0.191	33
55	13 - 19 - 31	0.242	37	13 - 19 - 31	0.232	36
60	14 - 21 - 33	0.290	40	14 - 21 - 33	0.279	38

### Performance Notes

1. Flow rates listed per 1ft. of plenum length.
2. Units tested in accordance with ASHRAE Standard 70-2006.
3. Throw values are measured in feet to terminal velocities of 150 fpm (minimum), 100 fpm (middle) and 50 fpm (maximum).
4. Throw data based on supply and room air being at isothermal conditions.
5. NC values are based on room absorption of 10 dB re 10<sup>-12</sup> watts and one diffuser.
6. Textile ceiling applications refer to installations of Node Recessed Channel with a Soft Cells or Weave ceiling, installed per PARC recommended spacings.