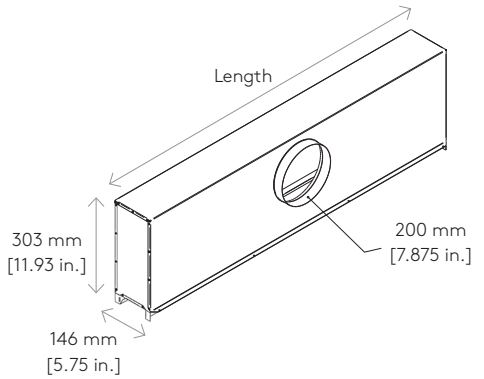


Flush Channel Plenum

The Flush Channel Plenum is designed to integrate seamlessly with the Node Flush Channel system which provides the diffuser portion of this plenum and diffuser combination. Integrating into the shadow gap between the Node channel and the ceiling surface, the Flush Channel Plenum provides 1-way or 2-way air distribution in a horizontal airflow pattern, providing exceptional thermal comfort and frequently achieving a minimum 80% on the Air Diffusion Performance Index (ADPI).



Product Features

- Shadow gap between Node Flush Channel and ceiling surface functions as diffuser slot
- Diffuser is hidden from sight
- Select Node devices can be co-located with the diffuser
- High thermal comfort
- Available in 2ft. and 4ft. lengths

Metric Performance Data

2-way Throw

Flow Rate (l/s/m)	Horizontal Throw (m)	Static Pressure (Pa)	Sound (NC)
46	0.4 - 0.7 - 2.2	4	< 10
54	0.4 - 0.7 - 2.5	5	< 10
62	0.4 - 1 - 2.8	6	< 10
69	0.7 - 1.3 - 3.1	8	< 10
77	0.7 - 1.6 - 3.4	9	< 10
85	0.7 - 1.6 - 3.4	11	21

1-way Throw

Flow Rate (l/s/m)	Horizontal Throw (m)	Static Pressure (Pa)	Sound (NC)
46	0.7 - 1 - 2.8	13	< 10
54	0.7 - 1.6 - 3.4	17	26
62	1 - 1.9 - 3.7	23	30
69	1 - 2.2 - 4.3	29	34
77	1.3 - 2.5 - 4.6	35	38
85	1.6 - 2.5 - 4.6	29	41

Performance Notes

1. Flow rates listed per 1m of plenum length.
2. Tested in accordance with ASHRAE Standard 70-2006 "Method of testing for Rating the Performance of Air Outlets and Inlets."
3. Throw values are measured in meters for terminal velocities of 0.75 m/s (minimum), 0.50 m/s (middle), and 0.25 m/s (maximum).
4. Throw data is based on supply air and room air being at isothermal conditions.
5. NC values are based on room absorption of 10 dB re 10⁻¹² watts and one diffuser.

Imperial Performance Data

2-way Throw

Flow Rate (cfm)	Horizontal Throw (ft.)	Static Pressure (in. w.g.)	Sound (NC)
30	1 - 2 - 7	0.013	< 10
35	1 - 2 - 8	0.018	< 10
40	1 - 3 - 9	0.023	< 10
45	2 - 4 - 10	0.029	< 10
50	2 - 5 - 11	0.035	< 10
55	2 - 5 - 11	0.044	21

1-way Throw

Flow Rate (cfm)	Horizontal Throw (ft.)	Static Pressure (in. w.g.)	Sound (NC)
30	2 - 3 - 9	0.051	< 10
35	2 - 5 - 11	0.068	26
40	3 - 6 - 12	0.089	30
45	3 - 7 - 14	0.113	34
50	4 - 8 - 15	0.139	38
55	5 - 8 - 15	0.116	41

Performance Notes

1. Flow rates listed per 1ft. of plenum length.
2. Tested in accordance with ASHRAE Standard 70-2006 "Method of testing for Rating the Performance of Air Outlets and Inlets."
3. Throw values are measured in feet for terminal velocities of 150 fpm (minimum), 100 fpm (middle) and 50 fpm (maximum).
4. Throw data is based on supply air and room air being at isothermal conditions.
5. NC values are based on room absorption of 10 dB re 10⁻¹² watts and one diffuser.