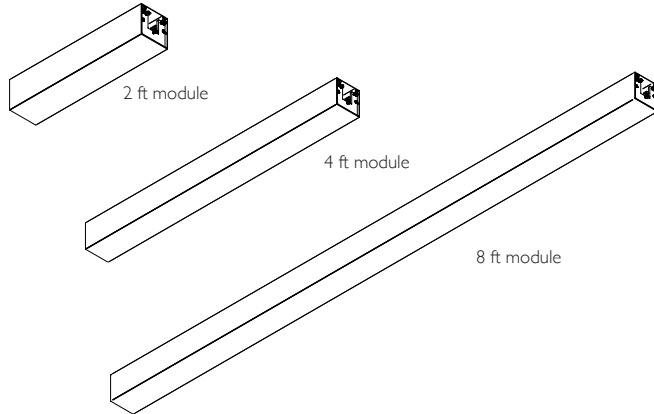




GRID BLANK MODULE

The Grid Blank Module creates a mechanical connection between adjacent Grid Modules and connectors in a Grid system for an aesthetically seamless look.



Product Features

- Modular mechanical connection to the Grid system
- Easy to install and maintain
- Straight module lengths only

Specifications

Module Style	Length	Width	Height	Weight
2 ft. module	20 in. [508 mm]	4 in. [101.6 mm]	4 in. [101.6 mm]	1.92 kg [4.23 lbs]
4 ft. module	44 in. [1118 mm]	4 in. [101.6 mm]	4 in. [101.6 mm]	4.09 kg [9.02 lbs]
8 ft. module	92 in. [2337 mm]	4 in. [101.6 mm]	4 in. [101.6 mm]	8.42 kg [18.56 lbs]

Module Finish

- Powder coat white, and black
- Anodized black, clear, champagne, light bronze, medium bronze, and dark bronze

Construction

- Aluminum extrusion