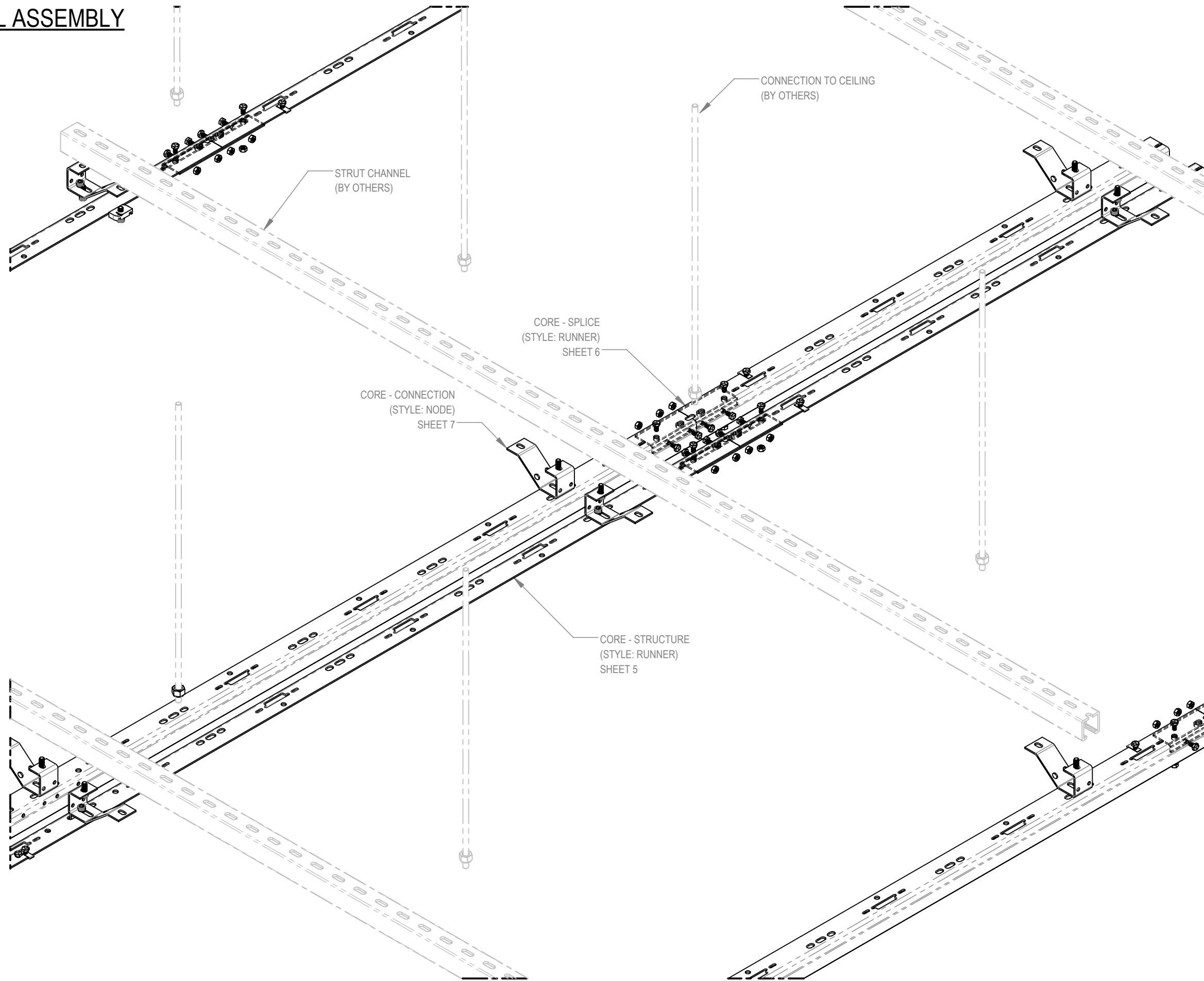


SUBMITTAL

GENERAL ASSEMBLY



EXPLODED VIEW

PARC
A Price Company
PARC-CEILINGS.COM

CONSTRUCTION:

- RUNNERS
 - o .110" [2.8MM] THICK STEEL SHEET
- SPLICE PLATE
 - o .110" [2.8MM] THICK STEEL SHEET
- NODE BRACKET
 - o .110" [2.8MM] THICK STEEL SHEET

FINISH:

- ALL HARDWARE: MILL FINISH UNLESS OTHERWISE SPECIFIED

ASSEMBLY AND INSTALLATION

- ALL COMPONENTS SHOWN ARE FACTORY ASSEMBLED BY PARC UNLESS OTHERWISE NOTED
- ALL INSTALLATION BY OTHERS AND METHODS SHOWN ARE NOTIONAL
- (ASSY BY OTHERS): PROVIDED BY PARC, FIELD ASSEMBLED BY OTHERS
- (BY OTHERS): PROVIDED AND FIELD ASSEMBLED BY OTHERS

NOTES:

- DIMENSIONS SHOWN IN PARENTHESES ARE FOR REFERENCE ONLY (X.XX)
- METRIC DIMENSIONS SHOWN IN BRACKETS [X.XX]
- PRODUCT FINISH MAY VARY IN TONE, GLOSS AND TEXTURE; VARIATIONS ARE WITHIN PARC QUALITY STANDARDS
- TBC: DETAILS TO BE CONFIRMED
- CORE MASS = 1.27 LBS/ FT
- CORE MASS INCLUDES RUNNER, SPLICE, NODE BRACKET, AND HARDWARE

B	8/8/2023	MN	JAC
REV	DATE	DRAWN BY	CHECKED BY

ALL DIMENSIONS IN INCHES UNLESS OTHERWISE SPECIFIED

TOLERANCES UNLESS OTHERWISE SPECIFIED			
LINEAR	X.X ±.06	X.XX ±.03	X.XXX ±.01 INCHES
ANGULAR	X ±1	X.X ±.5	X.XX ±.25 DEGREES

PROJECT
CORE

DRAWING TITLE
STANDARD IMPERIAL SUBMITTAL

SUBMITTAL NUMBER	274165	SHEET 1 OF 8	SIZE B
------------------	---------------	--------------	--------

© COPYRIGHT PRICE INDUSTRIES 2022

SUBMITTAL

GENERAL ASSEMBLY

PARC
A Price Company
PARC-CEILINGS.COM

CONSTRUCTION:

- RUNNERS
 - o .110" [2.8MM] THICK STEEL SHEET
- SPLICE PLATE
 - o .110" [2.8MM] THICK STEEL SHEET
- NODE BRACKET
 - o .110" [2.8MM] THICK STEEL SHEET

FINISH:

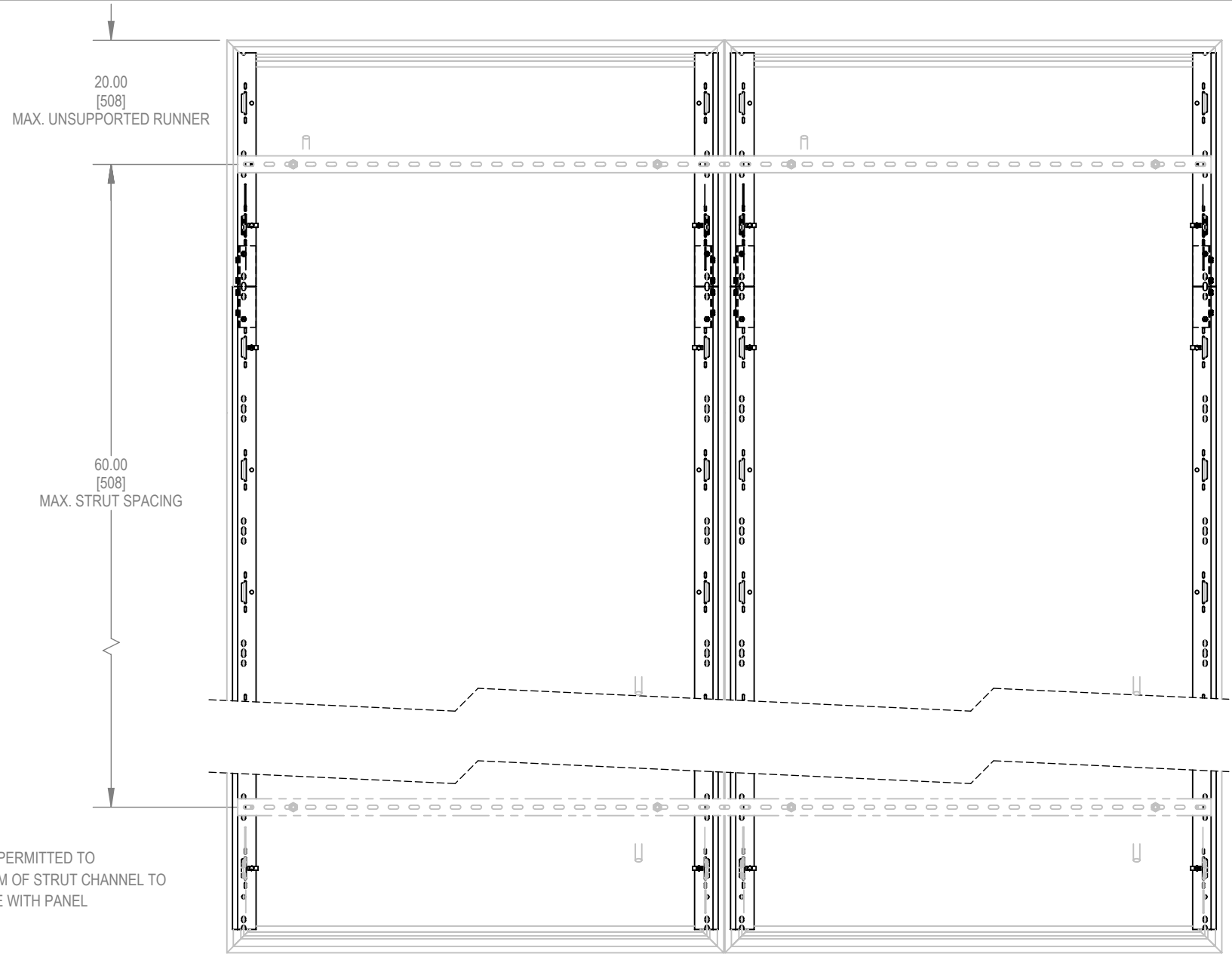
- ALL HARDWARE: MILL FINISH UNLESS OTHERWISE SPECIFIED

ASSEMBLY AND INSTALLATION

- ALL COMPONENTS SHOWN ARE FACTORY ASSEMBLED BY PARC UNLESS OTHERWISE NOTED
- ALL INSTALLATION BY OTHERS AND METHODS SHOWN ARE NOTIONAL
- (ASSY BY OTHERS): PROVIDED BY PARC, FIELD ASSEMBLED BY OTHERS
- (BY OTHERS): PROVIDED AND FIELD ASSEMBLED BY OTHERS

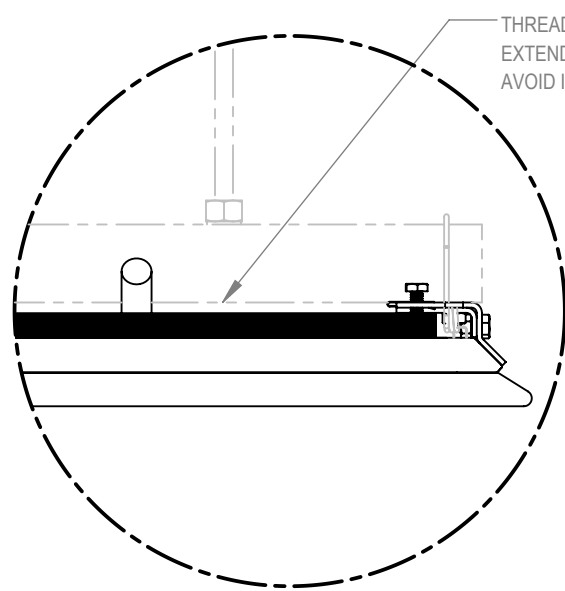
NOTES:

- DIMENSIONS SHOWN IN PARENTHESES ARE FOR REFERENCE ONLY (X.XX)
- METRIC DIMENSIONS SHOWN IN BRACKETS [X.XX]
- PRODUCT FINISH MAY VARY IN TONE, GLOSS AND TEXTURE; VARIATIONS ARE WITHIN PARC QUALITY STANDARDS
- TBC: DETAILS TO BE CONFIRMED
- CORE MASS = 1.27 LBS/ FT
- CORE MASS INCLUDES RUNNER, SPLICE, NODE BRACKET, AND HARDWARE

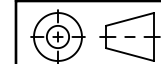


TOP VIEW

ELEVATION VIEW



DETAIL A



ALL DIMENSIONS IN INCHES UNLESS OTHERWISE SPECIFIED

TOLERANCES UNLESS OTHERWISE SPECIFIED			
LINEAR	X.X ± .06	X.XX ± .03	X.XXX ± .01 INCHES
ANGULAR	X ± 1	X.X ± .5	X.XX ± .25 DEGREES

PROJECT **CORE**

DRAWING TITLE **STANDARD IMPERIAL SUBMITTAL**

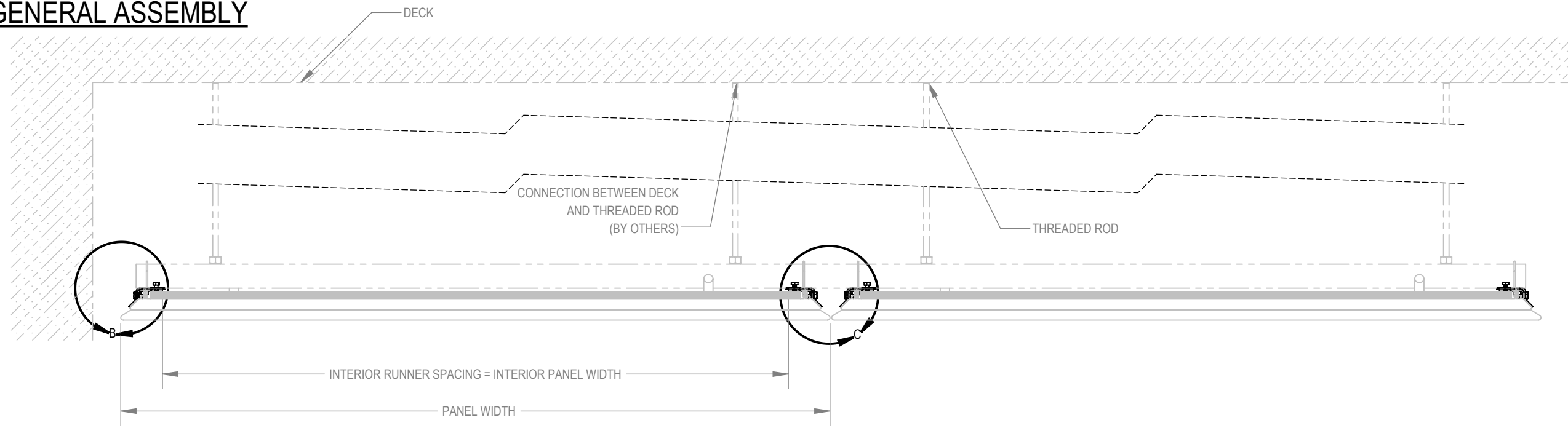
SUBMITTAL NUMBER	274165	SHEET 2 OF 8	SIZE B
------------------	---------------	--------------	---------------

© COPYRIGHT PRICE INDUSTRIES 2022

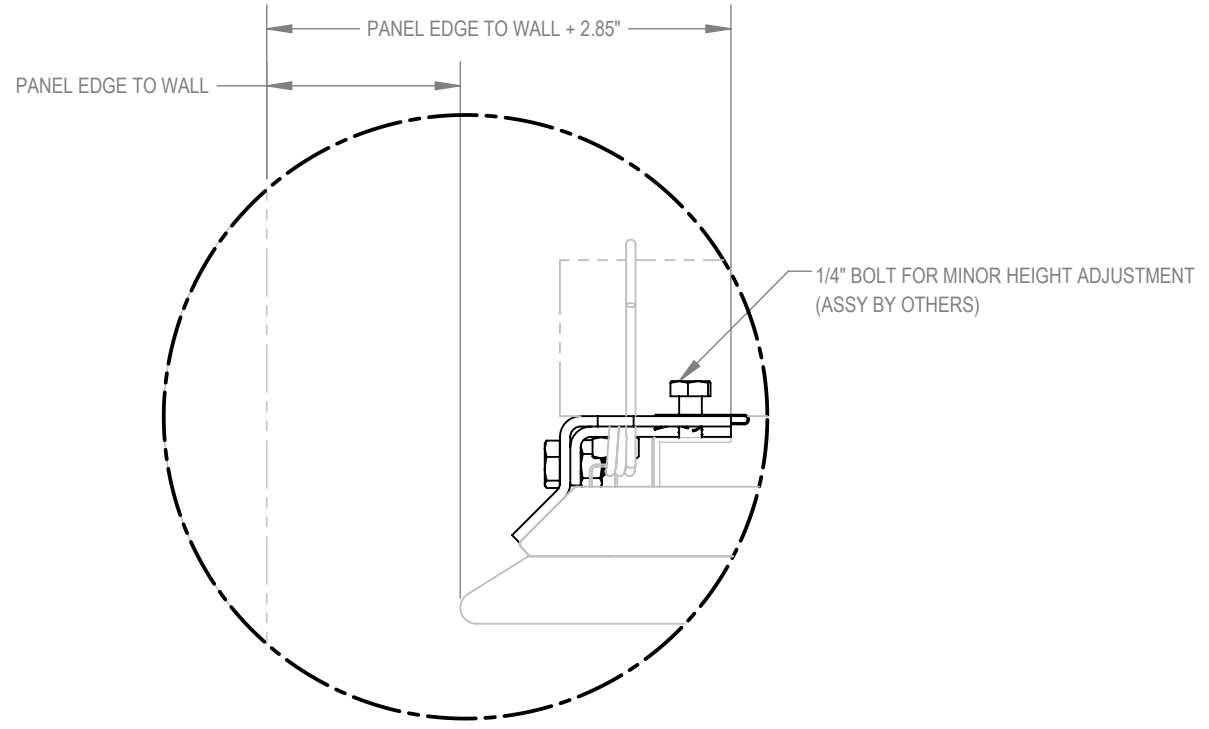
A B C D E

SUBMITTAL

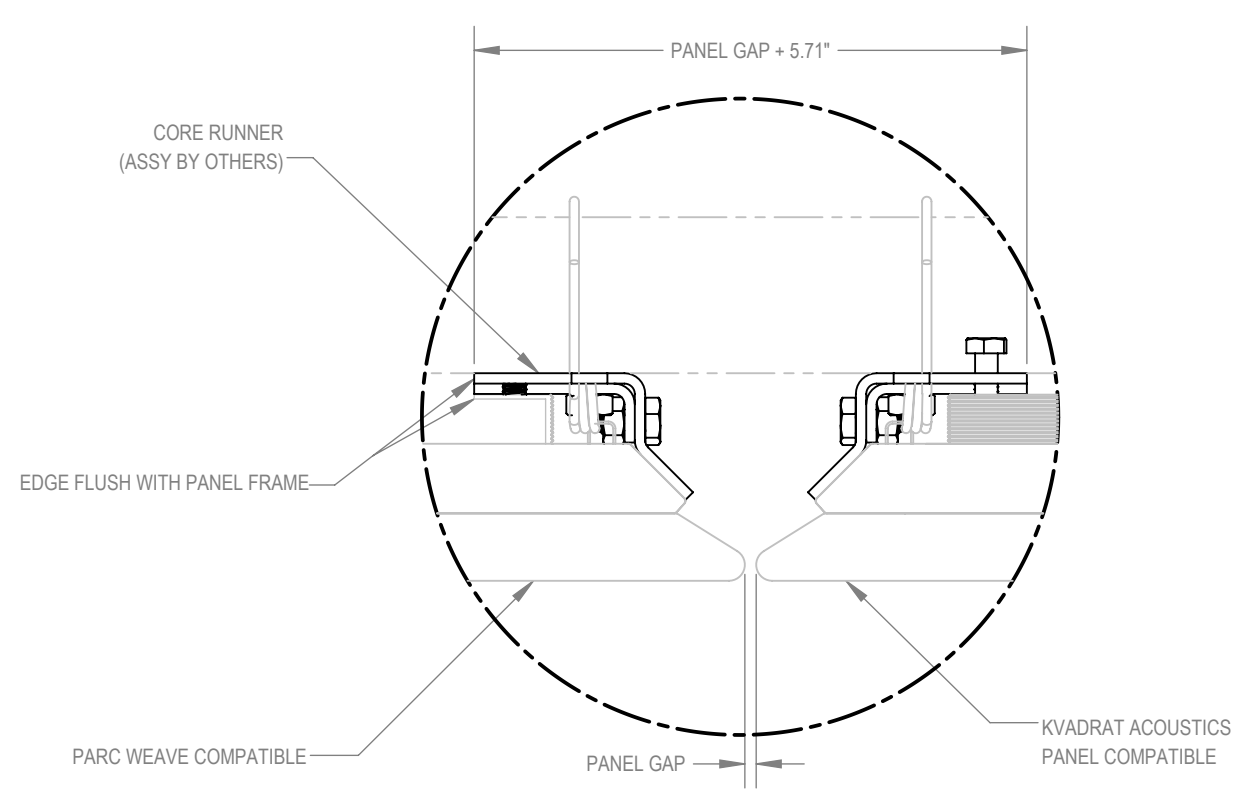
GENERAL ASSEMBLY



ELEVATION VIEW



DETAIL B



DETAIL C
CLIP NUTS HIDDEN



- CONSTRUCTION:**
- RUNNERS
 - o .110" [2.8MM] THICK STEEL SHEET
 - SPLICE PLATE
 - o .110" [2.8MM] THICK STEEL SHEET
 - NODE BRACKET
 - o .110" [2.8MM] THICK STEEL SHEET
- FINISH:**
- ALL HARDWARE: MILL FINISH UNLESS OTHERWISE SPECIFIED

- ASSEMBLY AND INSTALLATION**
- ALL COMPONENTS SHOWN ARE FACTORY ASSEMBLED BY PARC UNLESS OTHERWISE NOTED
 - ALL INSTALLATION BY OTHERS AND METHODS SHOWN ARE NOTIONAL
 - (ASSY BY OTHERS): PROVIDED BY PARC, FIELD ASSEMBLED BY OTHERS
 - (BY OTHERS): PROVIDED AND FIELD ASSEMBLED BY OTHERS

- NOTES:**
- DIMENSIONS SHOWN IN PARENTHESES ARE FOR REFERENCE ONLY (X.XX)
 - METRIC DIMENSIONS SHOWN IN BRACKETS [X.XX]
 - PRODUCT FINISH MAY VARY IN TONE, GLOSS AND TEXTURE; VARIATIONS ARE WITHIN PARC QUALITY STANDARDS
 - TBC: DETAILS TO BE CONFIRMED
 - CORE MASS = 1.27 LBS/ FT
 - CORE MASS INCLUDES RUNNER, SPLICE, NODE BRACKET, AND HARDWARE

ALL DIMENSIONS IN INCHES UNLESS OTHERWISE SPECIFIED

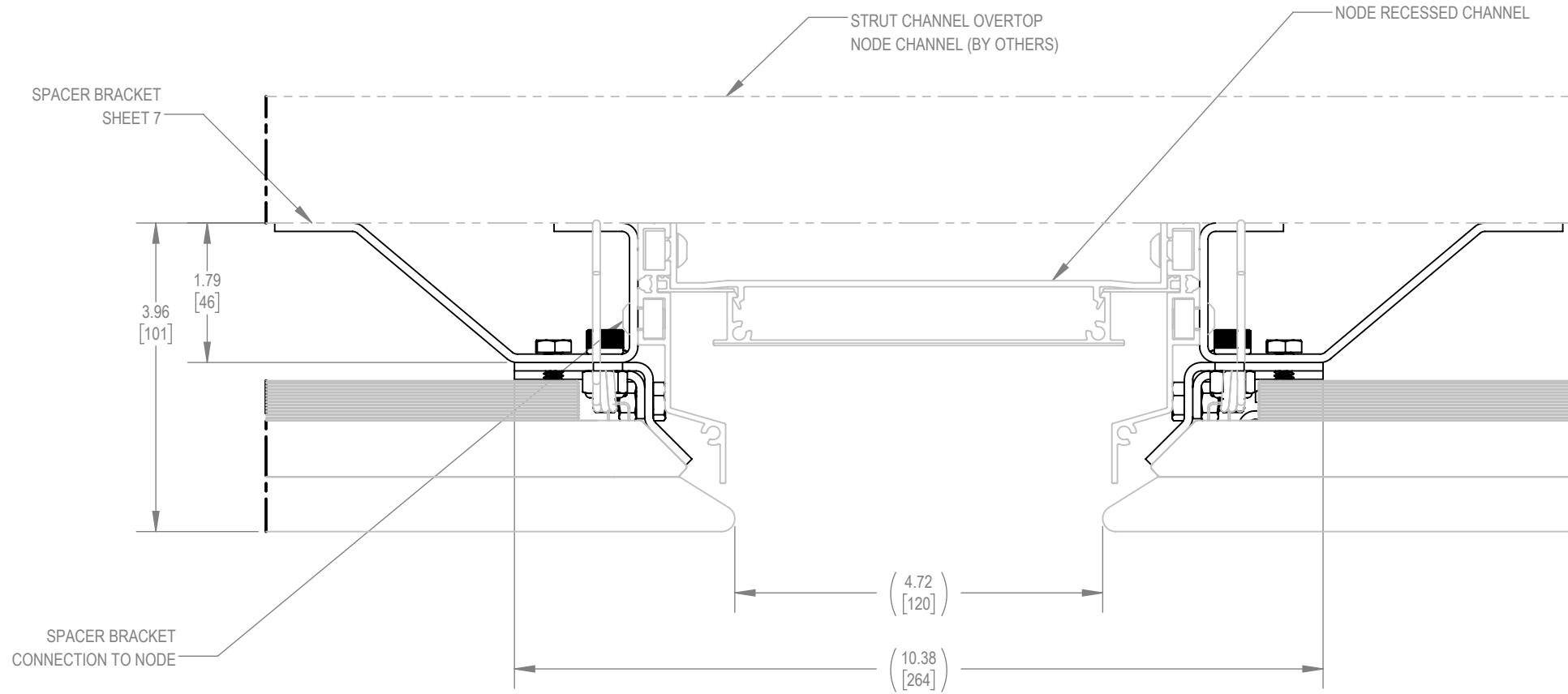
TOLERANCES UNLESS OTHERWISE SPECIFIED			
LINEAR	X.X ± .06	X.XX ± .03	X.XXX ± .01
ANGULAR	X ± 1	X.X ± .5	X.XX ± .25
			DEGREES

PROJECT **CORE**

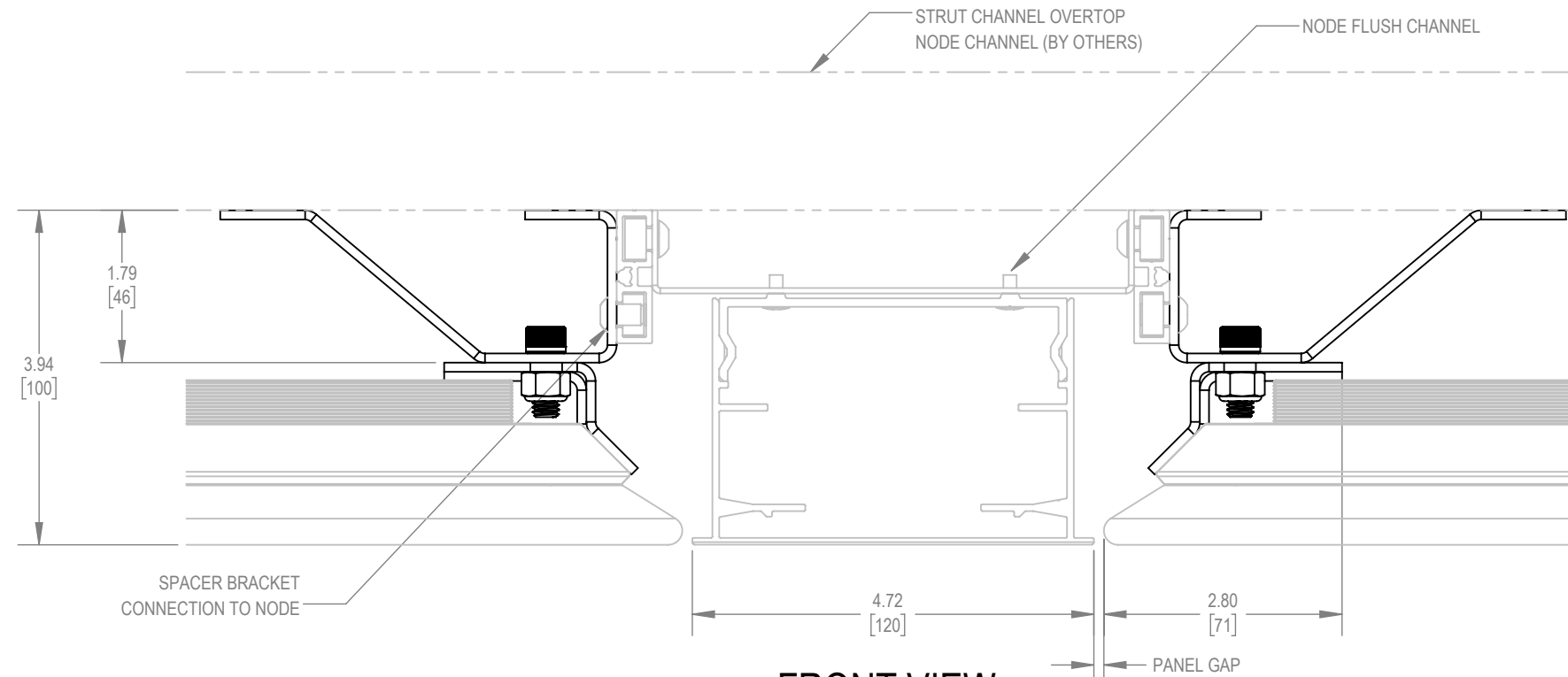
DRAWING TITLE **STANDARD IMPERIAL SUBMITTAL**

SUBMITTAL NUMBER	274165	SHEET	3 OF 8	SIZE	B
------------------	---------------	-------	--------	------	----------

GENERAL ASSEMBLY



FRONT VIEW
NODE RECESSED CHANNEL INTEGRATION



FRONT VIEW
NODE FLUSH CHANNEL INTEGRATION

CONSTRUCTION:

- RUNNERS
 - o .110" [2.8MM] THICK STEEL SHEET
- SPLICE PLATE
 - o .110" [2.8MM] THICK STEEL SHEET
- NODE BRACKET
 - o .110" [2.8MM] THICK STEEL SHEET

FINISH:

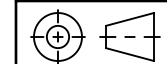
- ALL HARDWARE: MILL FINISH UNLESS OTHERWISE SPECIFIED

ASSEMBLY AND INSTALLATION

- ALL COMPONENTS SHOWN ARE FACTORY ASSEMBLED BY PARC UNLESS OTHERWISE NOTED
- ALL INSTALLATION BY OTHERS AND METHODS SHOWN ARE NOTIONAL
- (ASSY BY OTHERS): PROVIDED BY PARC, FIELD ASSEMBLED BY OTHERS
- (BY OTHERS): PROVIDED AND FIELD ASSEMBLED BY OTHERS

NOTES:

- DIMENSIONS SHOWN IN PARENTHESES ARE FOR REFERENCE ONLY (X.XX)
- METRIC DIMENSIONS SHOWN IN BRACKETS [X.XX]
- PRODUCT FINISH MAY VARY IN TONE, GLOSS AND TEXTURE; VARIATIONS ARE WITHIN PARC QUALITY STANDARDS
- TBC: DETAILS TO BE CONFIRMED
- CORE MASS = 1.27 LBS/ FT
- CORE MASS INCLUDES RUNNER, SPLICE, NODE BRACKET, AND HARDWARE



ALL DIMENSIONS IN INCHES UNLESS OTHERWISE SPECIFIED

TOLERANCES UNLESS OTHERWISE SPECIFIED			
LINEAR	X.X ± .06	X.XX ± .03	X.XXX ± .01
ANGULAR	X ± 1	X.X ± .5	X.XX ± .25
			INCHES / DEGREES

PROJECT **CORE**

DRAWING TITLE **STANDARD IMPERIAL SUBMITTAL**

SUBMITTAL NUMBER	274165	SHEET 4 OF 8	SIZE B
------------------	---------------	--------------	---------------

CONSTRUCTION:

- ITEM DESCRIPTION
 - o ALUMINUM EXTRUSION
- ITEM DESCRIPTION
 - o MATERIAL, XX GA

FINISH:

- STATE STANDARD PRICE FINISH CODE OR CUSTOM FINISH
- ALL HARDWARE: MILL FINISH UNLESS OTHERWISE SPECIFIED

ELECTRICAL SERVICE

- 120VAC, 60HZ, SINGLE-PHASE
 - o MAX OPERATING CURRENT: 0.0A
 - o MIN CIRCUIT AMPACITY: 0.0A
 - o MAX OVERCURRENT PROTECTION: 0.0A

MECHANICAL SERVICE

- SUPPLY AIR
 - o 300CFM @ 25°C
- WATER SUPPLY
 - o 2.5GPM @ 60PSI

CONTROLS

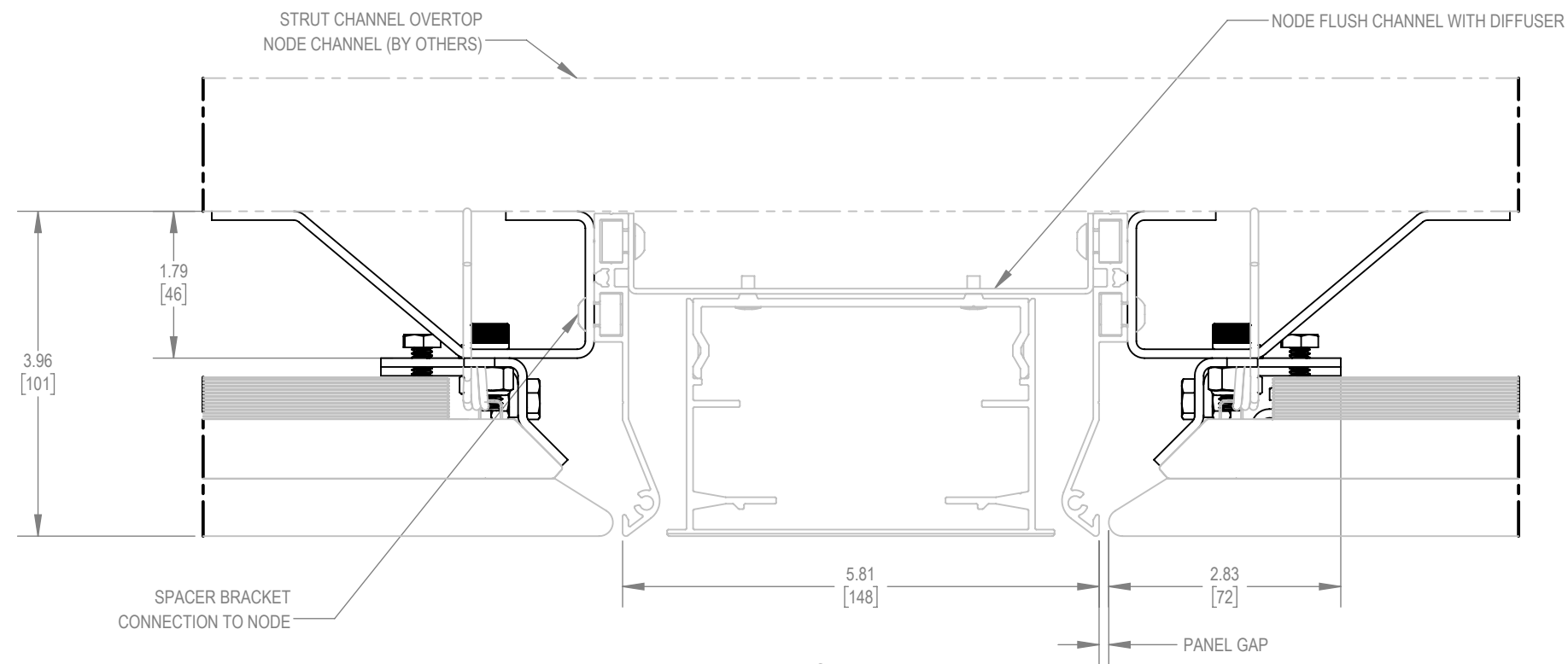
- CXY##### BY PARC
- CONTROLS BY OTHERS

ASSEMBLY AND INSTALLATION

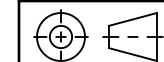
- ALL COMPONENTS SHOWN ARE FACTORY ASSEMBLED BY PARC UNLESS OTHERWISE NOTED
- ALL INSTALLATION BY OTHERS AND METHODS SHOWN ARE NOTIONAL
- (ASSY BY OTHERS): PROVIDED BY PARC, FIELD ASSEMBLED BY OTHERS
- (BY OTHERS): PROVIDED AND FIELD ASSEMBLED BY OTHERS

NOTES:

- DIMENSIONS SHOWN IN PARENTHESES ARE FOR REFERENCE ONLY (X.XX)
- METRIC DIMENSIONS SHOWN IN BRACKETS [X.XX]
- PRODUCT FINISH MAY VARY IN TONE, GLOSS AND TEXTURE; VARIATIONS ARE WITHIN PARC QUALITY STANDARDS
- TBC: DETAILS TO BE CONFIRMED



FRONT VIEW
NODE FLUSH CHANNEL WITH DIFFUSER INTEGRATION



ALL DIMENSIONS IN INCHES UNLESS OTHERWISE SPECIFIED

TOLERANCES UNLESS OTHERWISE SPECIFIED			
LINEAR	X.X ± .06	X.XX ± .03	X.XXX ± .01 INCHES
ANGULAR	X ± 1	X.X ± .5	X.XX ± .25 DEGREES

PROJECT	CORE
---------	-------------

DRAWING TITLE	STANDARD IMPERIAL SUBMITTAL
---------------	------------------------------------

SUBMITTAL NUMBER	274165	SHEET	5 OF 8	SIZE	B
© COPYRIGHT PRICE INDUSTRIES 2023					

SUBMITTAL

CORE - STRUCTURE

STYLE:

RUNNER

LENGTH:

120IN

FINISH:

MILL
 B-17 BLACK



CONSTRUCTION:

- RUNNERS
 - o .110" [2.8MM] THICK STEEL SHEET
- SPLICE PLATE
 - o .110" [2.8MM] THICK STEEL SHEET
- NODE BRACKET
 - o .110" [2.8MM] THICK STEEL SHEET

FINISH:

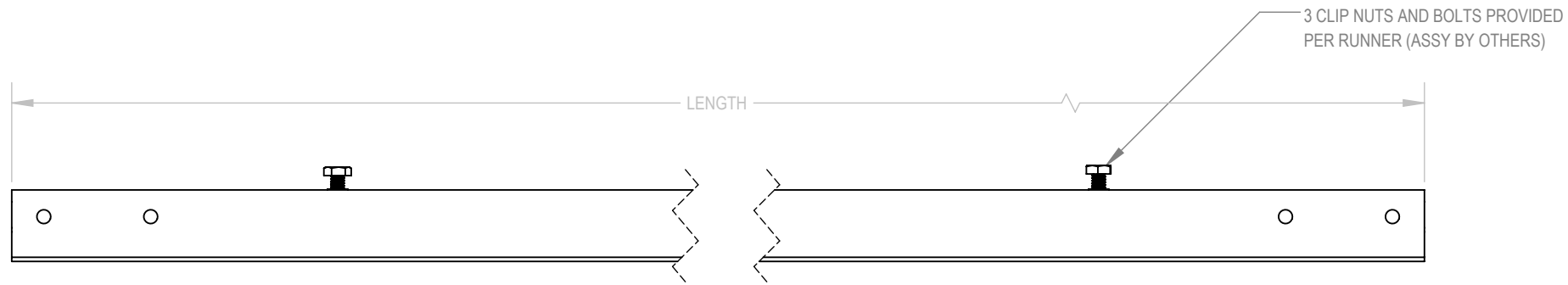
- ALL HARDWARE: MILL FINISH UNLESS OTHERWISE SPECIFIED

ASSEMBLY AND INSTALLATION

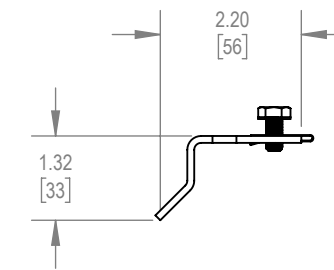
- ALL COMPONENTS SHOWN ARE FACTORY ASSEMBLED BY PARC UNLESS OTHERWISE NOTED
- ALL INSTALLATION BY OTHERS AND METHODS SHOWN ARE NOTIONAL
- (ASSY BY OTHERS): PROVIDED BY PARC, FIELD ASSEMBLED BY OTHERS
- (BY OTHERS): PROVIDED AND FIELD ASSEMBLED BY OTHERS

NOTES:

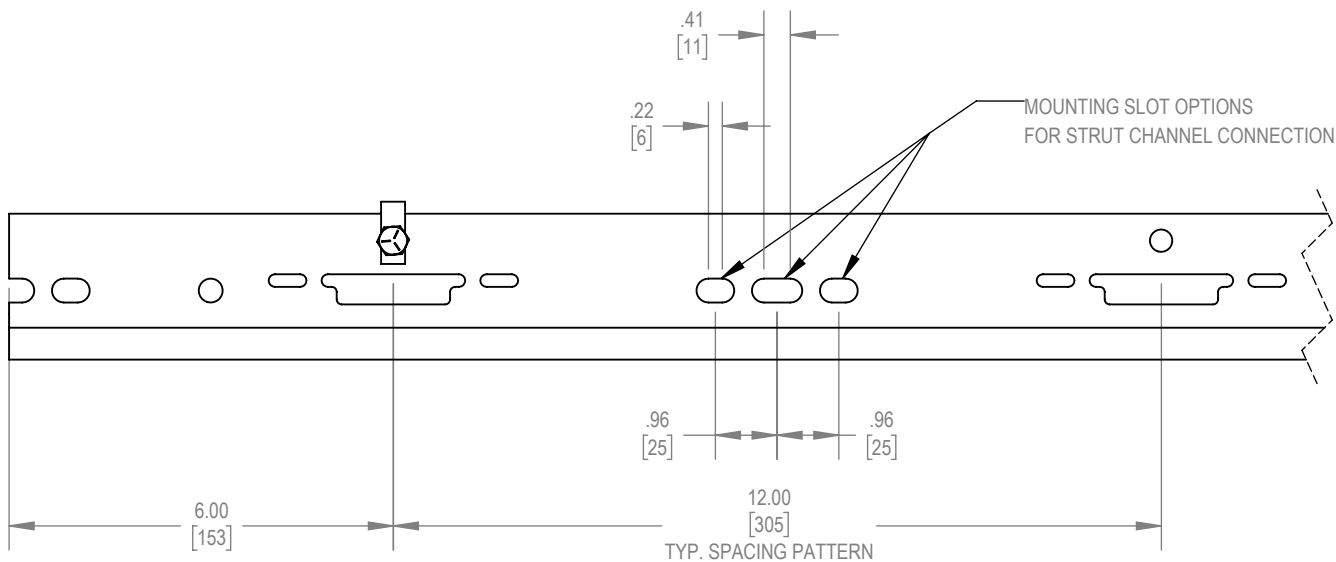
- DIMENSIONS SHOWN IN PARENTHESES ARE FOR REFERENCE ONLY (X.XX)
- METRIC DIMENSIONS SHOWN IN BRACKETS [X.XX]
- PRODUCT FINISH MAY VARY IN TONE, GLOSS AND TEXTURE; VARIATIONS ARE WITHIN PARC QUALITY STANDARDS
- TBC: DETAILS TO BE CONFIRMED
- CORE MASS = 1.27 LBS/ FT
- CORE MASS INCLUDES RUNNER, SPLICE, NODE BRACKET, AND HARDWARE



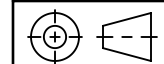
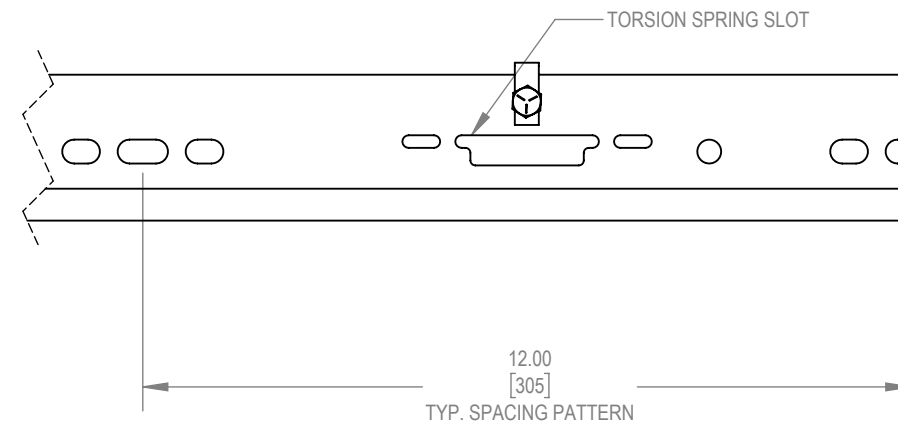
SIDE VIEW



SIDE VIEW



TOP VIEW



ALL DIMENSIONS IN INCHES UNLESS OTHERWISE SPECIFIED

TOLERANCES UNLESS OTHERWISE SPECIFIED				
LINEAR	X.X ± .06	X.XX ± .03	X.XXX ± .01	INCHES
ANGULAR	X ± 1	X.X ± .5	X.XX ± .25	DEGREES

PROJECT **CORE**

DRAWING TITLE **STANDARD IMPERIAL SUBMITTAL**

SUBMITTAL NUMBER	274165	SHEET 6 OF 8	SIZE B
------------------	---------------	--------------	---------------

© COPYRIGHT PRICE INDUSTRIES 2022

A B C D E

SUBMITTAL

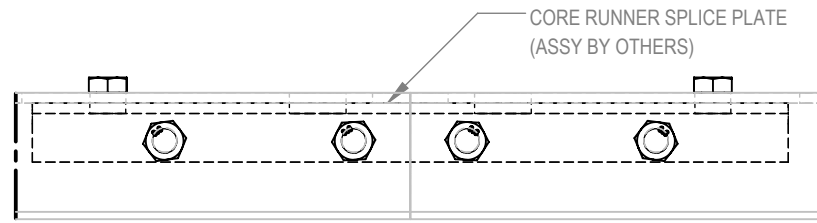
CORE - SPLICE

STYLE:

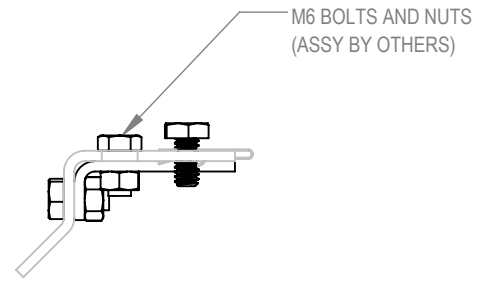
- RUNNER

FINISH:

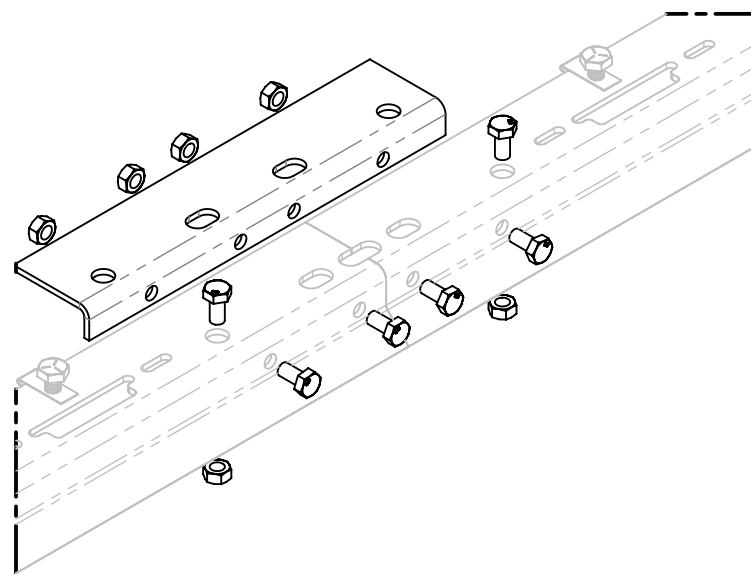
- MILL
- B-17 BLACK



FRONT VIEW



SIDE VIEW



ISOMETRIC VIEW
EXPLODED

CONSTRUCTION:

- RUNNERS
 - o .110" [2.8MM] THICK STEEL SHEET
- SPLICE PLATE
 - o .110" [2.8MM] THICK STEEL SHEET
- NODE BRACKET
 - o .110" [2.8MM] THICK STEEL SHEET

FINISH:

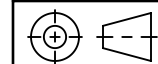
- ALL HARDWARE: MILL FINISH UNLESS OTHERWISE SPECIFIED

ASSEMBLY AND INSTALLATION

- ALL COMPONENTS SHOWN ARE FACTORY ASSEMBLED BY PARC UNLESS OTHERWISE NOTED
- ALL INSTALLATION BY OTHERS AND METHODS SHOWN ARE NOTIONAL
- (ASSY BY OTHERS): PROVIDED BY PARC, FIELD ASSEMBLED BY OTHERS
- (BY OTHERS): PROVIDED AND FIELD ASSEMBLED BY OTHERS

NOTES:

- DIMENSIONS SHOWN IN PARENTHESES ARE FOR REFERENCE ONLY (X.XX)
- METRIC DIMENSIONS SHOWN IN BRACKETS [X.XX]
- PRODUCT FINISH MAY VARY IN TONE, GLOSS AND TEXTURE; VARIATIONS ARE WITHIN PARC QUALITY STANDARDS
- TBC: DETAILS TO BE CONFIRMED
- CORE MASS = 1.27 LBS/ FT
- CORE MASS INCLUDES RUNNER, SPLICE, NODE BRACKET, AND HARDWARE



ALL DIMENSIONS IN INCHES UNLESS OTHERWISE SPECIFIED

TOLERANCES UNLESS OTHERWISE SPECIFIED				
LINEAR	X.X ± .06	X.XX ± .03	X.XXX ± .01	INCHES
ANGULAR	X ± 1	X.X ± .5	X.XX ± .25	DEGREES

PROJECT	CORE		
---------	-------------	--	--

DRAWING TITLE	STANDARD IMPERIAL SUBMITTAL		
---------------	------------------------------------	--	--

SUBMITTAL NUMBER	274165	SHEET 7 OF 8	SIZE B
------------------	---------------	--------------	---------------

SUBMITTAL

CORE - CONNECTION

STYLE:

- NODE

FINISH:

- MILL
- B-17 BLACK



CONSTRUCTION:

- RUNNERS
 - o .110" [2.8MM] THICK STEEL SHEET
- SPLICE PLATE
 - o .110" [2.8MM] THICK STEEL SHEET
- NODE BRACKET
 - o .110" [2.8MM] THICK STEEL SHEET

FINISH:

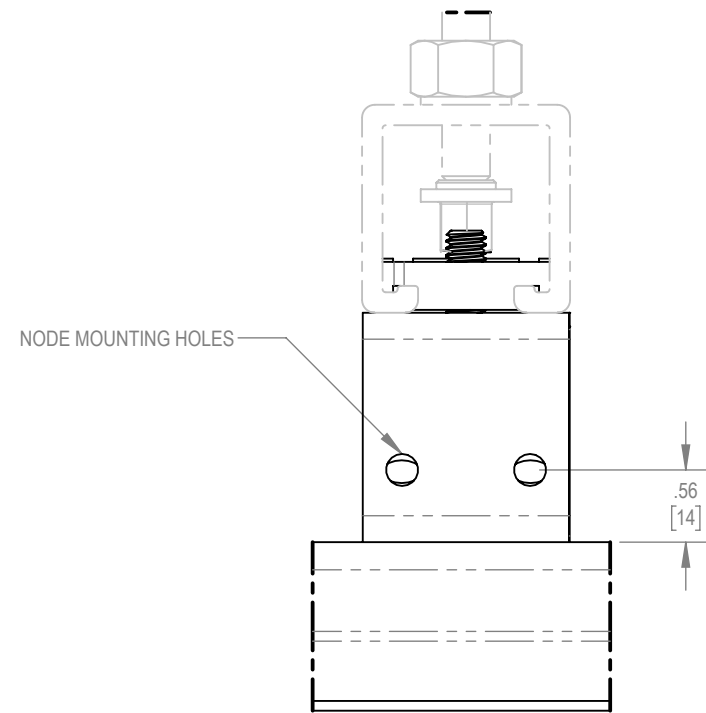
- ALL HARDWARE: MILL FINISH UNLESS OTHERWISE SPECIFIED

ASSEMBLY AND INSTALLATION

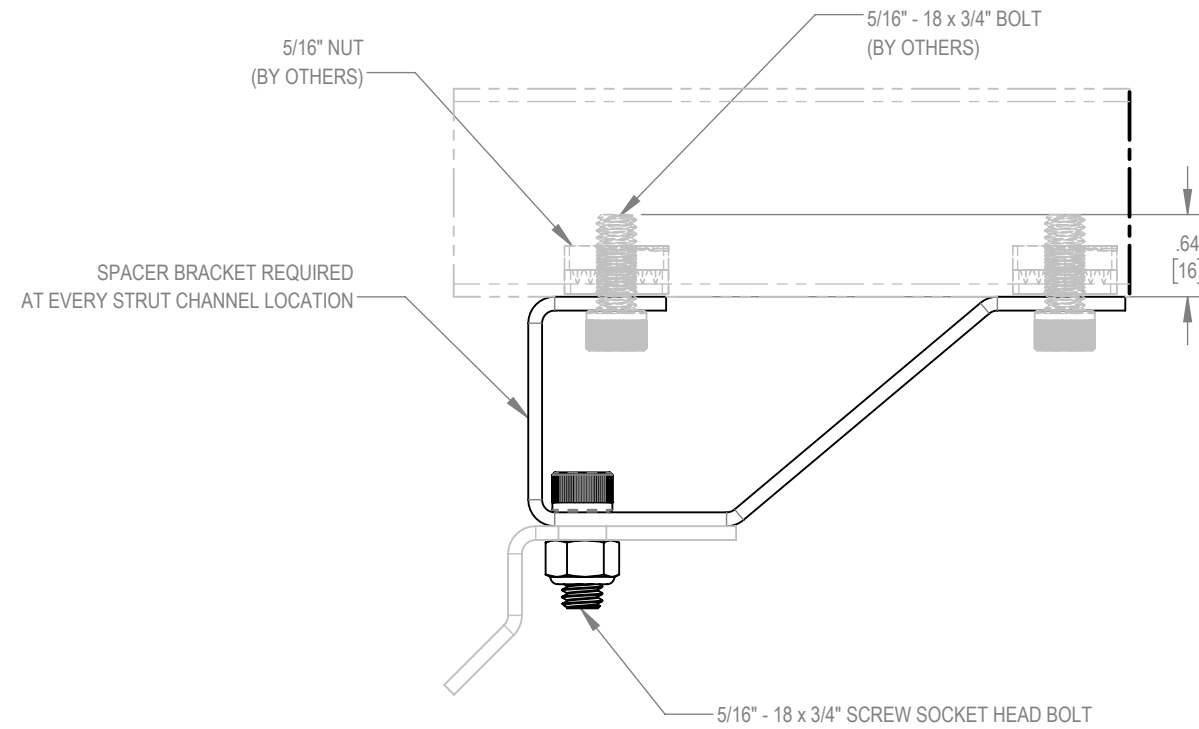
- ALL COMPONENTS SHOWN ARE FACTORY ASSEMBLED BY PARC UNLESS OTHERWISE NOTED
- ALL INSTALLATION BY OTHERS AND METHODS SHOWN ARE NOTIONAL
- (ASSY BY OTHERS): PROVIDED BY PARC, FIELD ASSEMBLED BY OTHERS
- (BY OTHERS): PROVIDED AND FIELD ASSEMBLED BY OTHERS

NOTES:

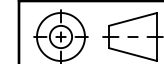
- DIMENSIONS SHOWN IN PARENTHESES ARE FOR REFERENCE ONLY (X.XX)
- METRIC DIMENSIONS SHOWN IN BRACKETS [X.XX]
- PRODUCT FINISH MAY VARY IN TONE, GLOSS AND TEXTURE; VARIATIONS ARE WITHIN PARC QUALITY STANDARDS
- TBC: DETAILS TO BE CONFIRMED
- CORE MASS = 1.27 LBS/ FT
- CORE MASS INCLUDES RUNNER, SPLICE, NODE BRACKET, AND HARDWARE



FRONT VIEW



SIDE VIEW



ALL DIMENSIONS IN INCHES UNLESS OTHERWISE SPECIFIED

TOLERANCES UNLESS OTHERWISE SPECIFIED				
LINEAR	X.X ± .06	X.XX ± .03	X.XXX ± .01	INCHES
ANGULAR	X ± 1	X.X ± .5	X.XX ± .25	DEGREES

PROJECT	CORE		
---------	-------------	--	--

DRAWING TITLE	STANDARD IMPERIAL SUBMITTAL		
---------------	------------------------------------	--	--

SUBMITTAL NUMBER	274165	SHEET 8 OF 8	SIZE B
© COPYRIGHT PRICE INDUSTRIES 2022			