

SUBMITTAL

GENERAL CONSTRUCTION - NODE K4 LINEAR LIGHT

PROJECT CHECKLIST

TAG: _____

QUANTITY: _____

COLOUR TEMPERATURE:

3000K

3500K

4000K

MOUNTING:

FLUSH CHANNEL

RECESSED CHANNEL

FINISH:

BLACK - B17

WHITE - RAL 9016

PARC
A Price Company
WEBSITE: WWW.PARC-CEILINGS.COM

CONSTRUCTION:

- LUMINAIRE HOUSING
 - o EXTRUDED ALUMINUM
- LENS/DIFFUSER
 - o TRANSPARENT PMMA

FINISH:

- ALL HARDWARE: MILL FINISH UNLESS OTHERWISE SPECIFIED

ELECTRICAL SERVICE

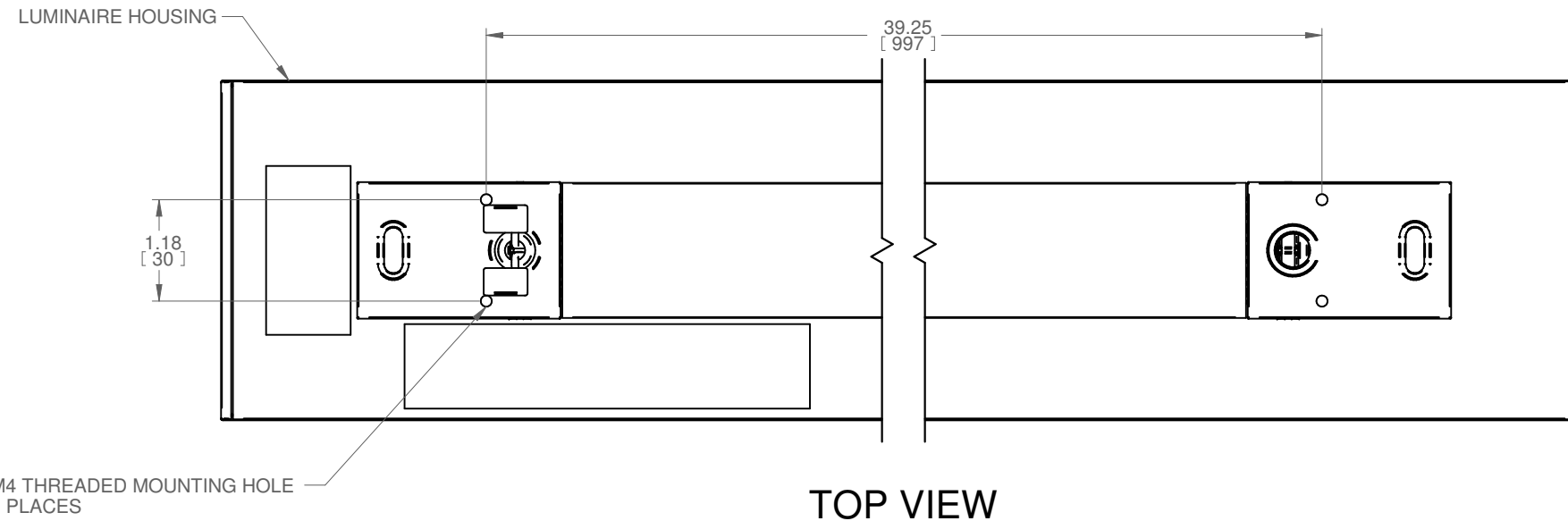
- BY OTHERS, SEE PRODUCT DATASHEET FOR DETAILS

ASSEMBLY AND INSTALLATION

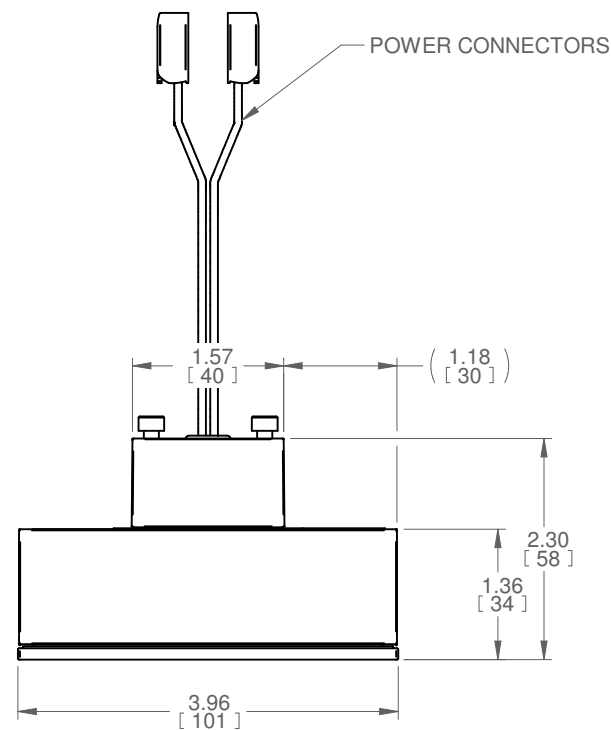
- ALL COMPONENTS SHOWN ARE FACTORY ASSEMBLED BY PARC UNLESS OTHERWISE NOTED
- ALL INSTALLATION BY OTHERS AND METHODS SHOWN ARE NOTIONAL
- (ASSY BY OTHERS): PROVIDED BY PARC, FIELD ASSEMBLED BY OTHERS
- (BY OTHERS): PROVIDED AND FIELD ASSEMBLED BY OTHERS

NOTES:

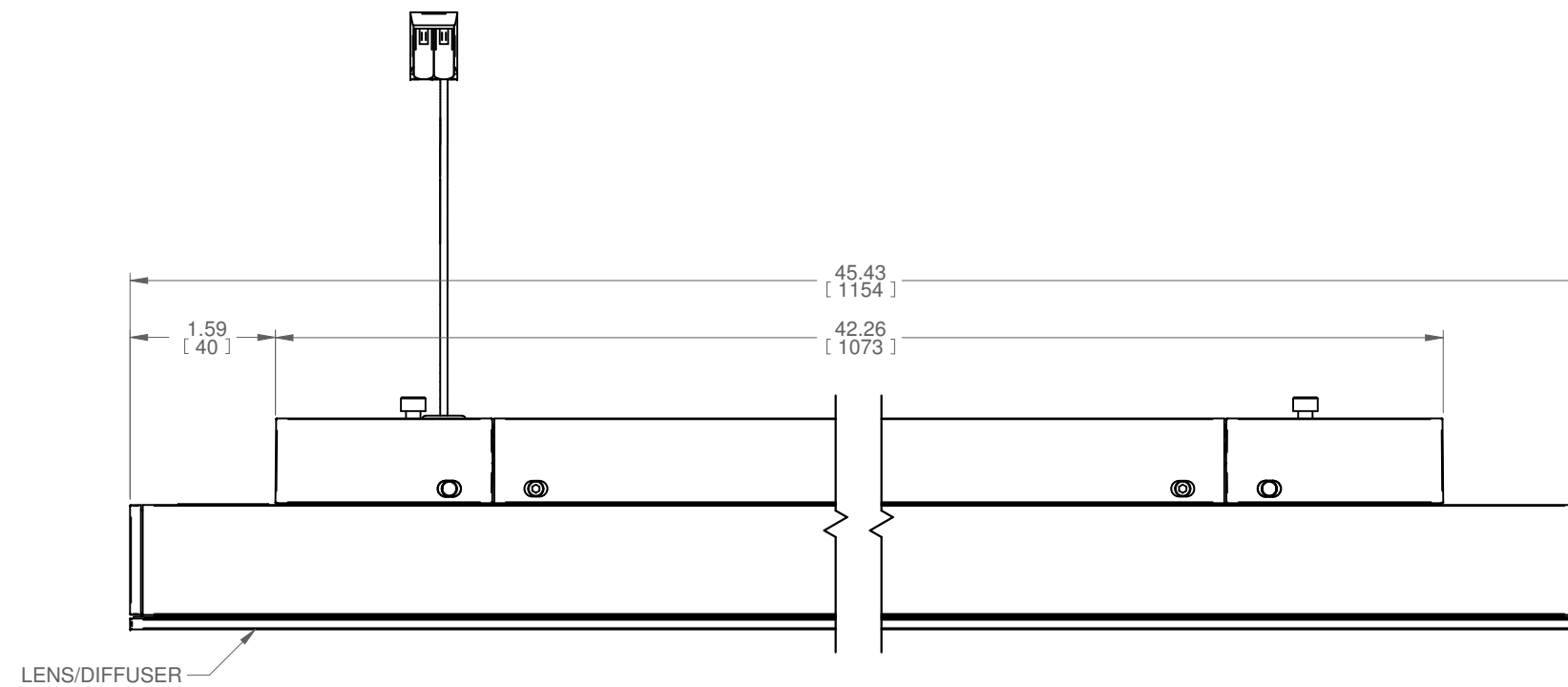
- DIMENSIONS SHOWN IN PARENTHESES ARE FOR REFERENCE ONLY (X.XX)
- METRIC DIMENSIONS SHOWN IN BRACKETS [X.XX]
- PRODUCT FINISH MAY VARY IN TONE, GLOSS AND TEXTURE; VARIATIONS ARE WITHIN PARC QUALITY STANDARDS
- TBC: DETAILS TO BE CONFIRMED
- LISTED CAN/CSA-22.2 NO. 250.0 & UL 2108



TOP VIEW



END VIEW



SIDE VIEW



REV	DATE	DRAWN BY	CHECKED BY
B	2021-09-14	NLD	JAC
A	2020-06-16	NPT	SMB

ALL DIMENSIONS IN INCHES UNLESS OTHERWISE SPECIFIED

TOLERANCES UNLESS OTHERWISE SPECIFIED	LINEAR	ANGULAR
X.X ± .06	X.XX ± .03	X ± 1
X.XXX ± .01	X.XX ± .25	X.XX ± .25
		DEGREES

PROJECT

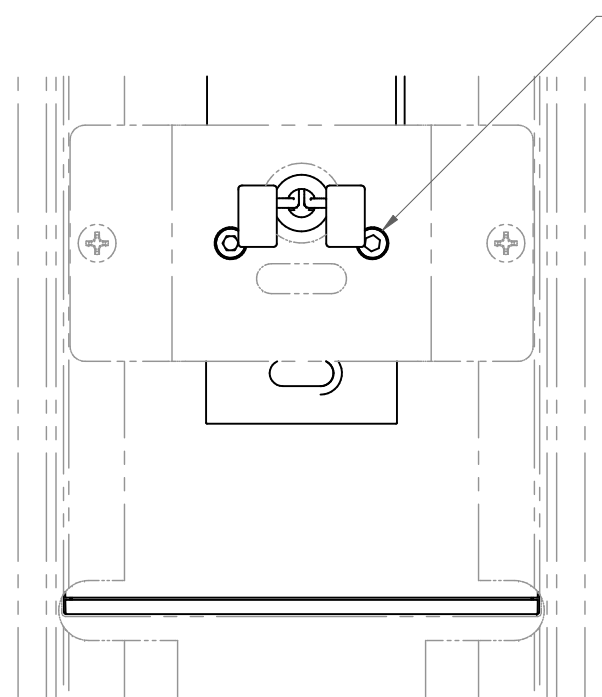
DRAWING TITLE
NODE K4 LINEAR LIGHT

SUBMITTAL NUMBER	272420	SHEET 1 OF 2	SIZE B
------------------	--------	--------------	--------

© COPYRIGHT PRICE INDUSTRIES 2020

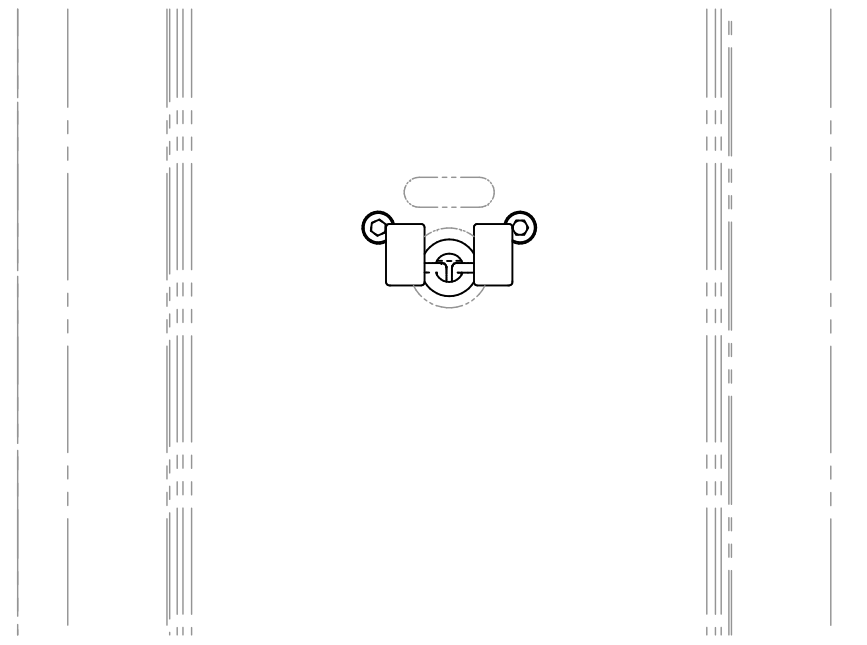
A B C D E

GENERAL CONSTRUCTION - CHANNEL MOUNTED



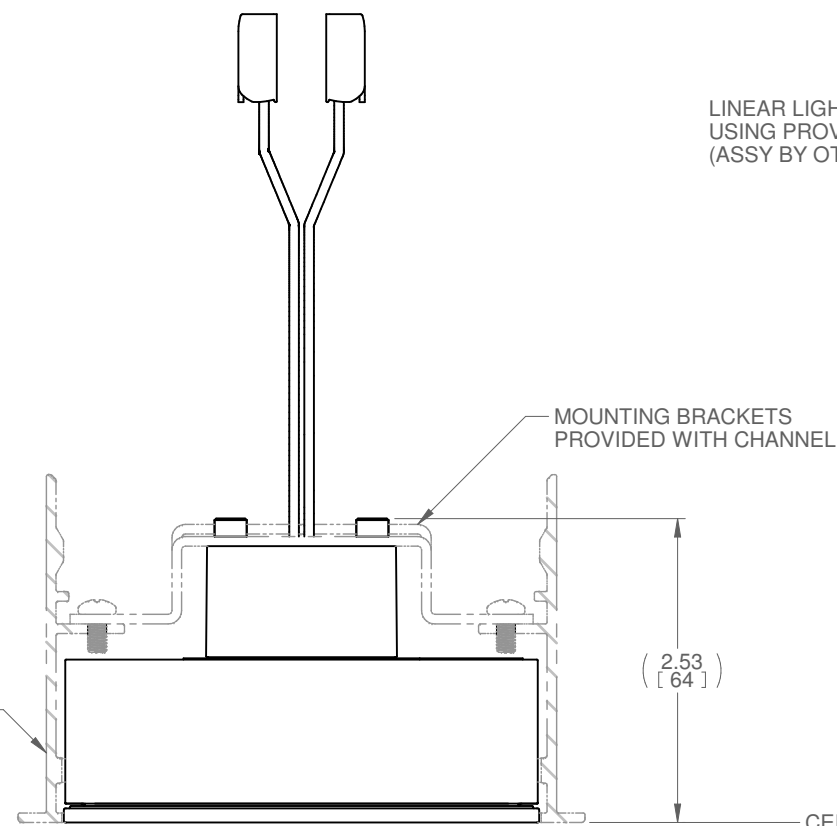
TOP VIEW

FLUSH CHANNEL, MOUNTING BRACKET DETAILS



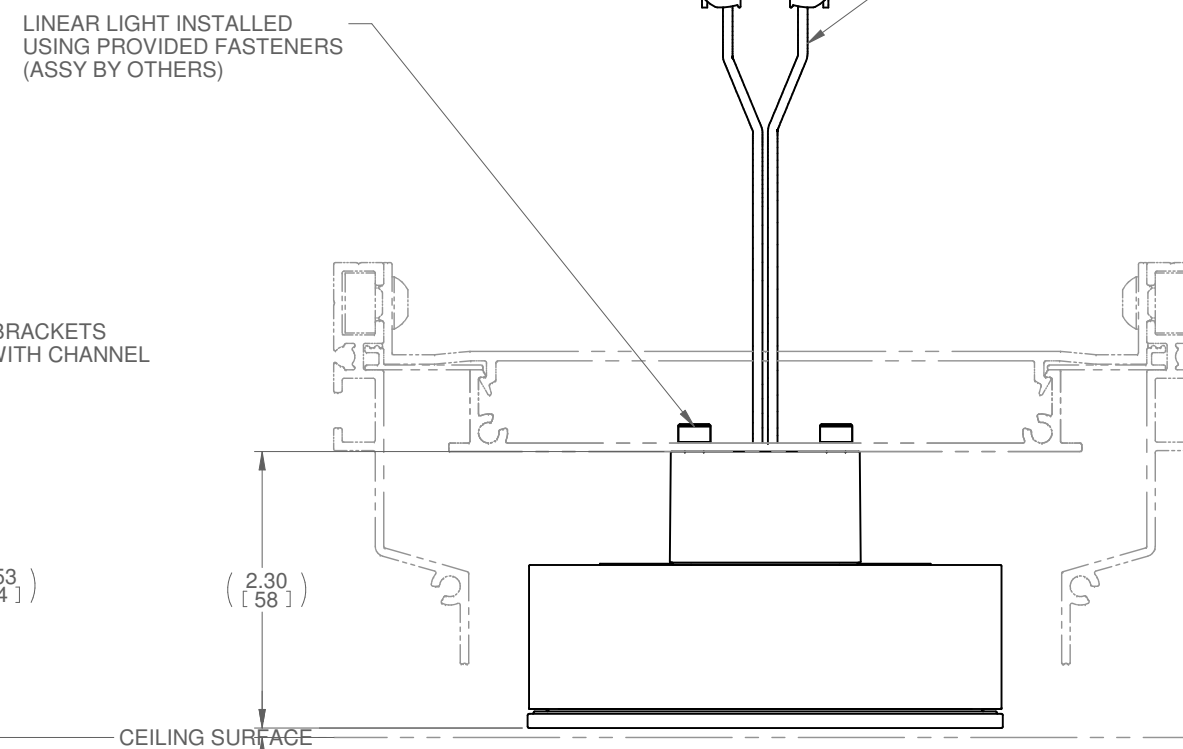
TOP VIEW

MOUNTING BRACKET DETAILS



END VIEW

FLUSH CHANNEL



END VIEW

RECESSED CHANNEL

CONSTRUCTION:

- LUMINAIRE HOUSING
 - o EXTRUDED ALUMINUM
 - o LENS/DIFFUSER
 - o TRANSPARENT PMMA

FINISH:

- ALL HARDWARE: MILL FINISH UNLESS OTHERWISE SPECIFIED

ELECTRICAL SERVICE

- BY OTHERS, SEE PRODUCT DATASHEET FOR DETAILS

ASSEMBLY AND INSTALLATION

- ALL COMPONENTS SHOWN ARE FACTORY ASSEMBLED BY PARC UNLESS OTHERWISE NOTED
- ALL INSTALLATION BY OTHERS AND METHODS SHOWN ARE NOTIONAL
- (ASSY BY OTHERS): PROVIDED BY PARC, FIELD ASSEMBLED BY OTHERS
- (BY OTHERS): PROVIDED AND FIELD ASSEMBLED BY OTHERS

NOTES:

- DIMENSIONS SHOWN IN PARENTHESES ARE FOR REFERENCE ONLY (X.XX)
- METRIC DIMENSIONS SHOWN IN BRACKETS [X.XX]
- PRODUCT FINISH MAY VARY IN TONE, GLOSS AND TEXTURE; VARIATIONS ARE WITHIN PARC QUALITY STANDARDS
- TBC: DETAILS TO BE CONFIRMED
- LISTED CAN/CSA-22.2 NO. 250.0 & UL 2108



REV	DATE	DRAWN BY	CHECKED BY
B	2021-09-14	NLD	JAC
A	2020-06-16	NPT	SMB

ALL DIMENSIONS IN INCHES UNLESS OTHERWISE SPECIFIED

TOLERANCES UNLESS OTHERWISE SPECIFIED			
LINEAR	X.X ± .06	X.XX ± .03	X.XXX ± .01 INCHES
ANGULAR	X ± 1	X.X ± .5	X.XX ± .25 DEGREES

PROJECT

DRAWING TITLE
NODE K4 LINEAR LIGHT

SUBMITTAL NUMBER	272420	SHEET 2 OF 2	SIZE B
------------------	---------------	--------------	---------------