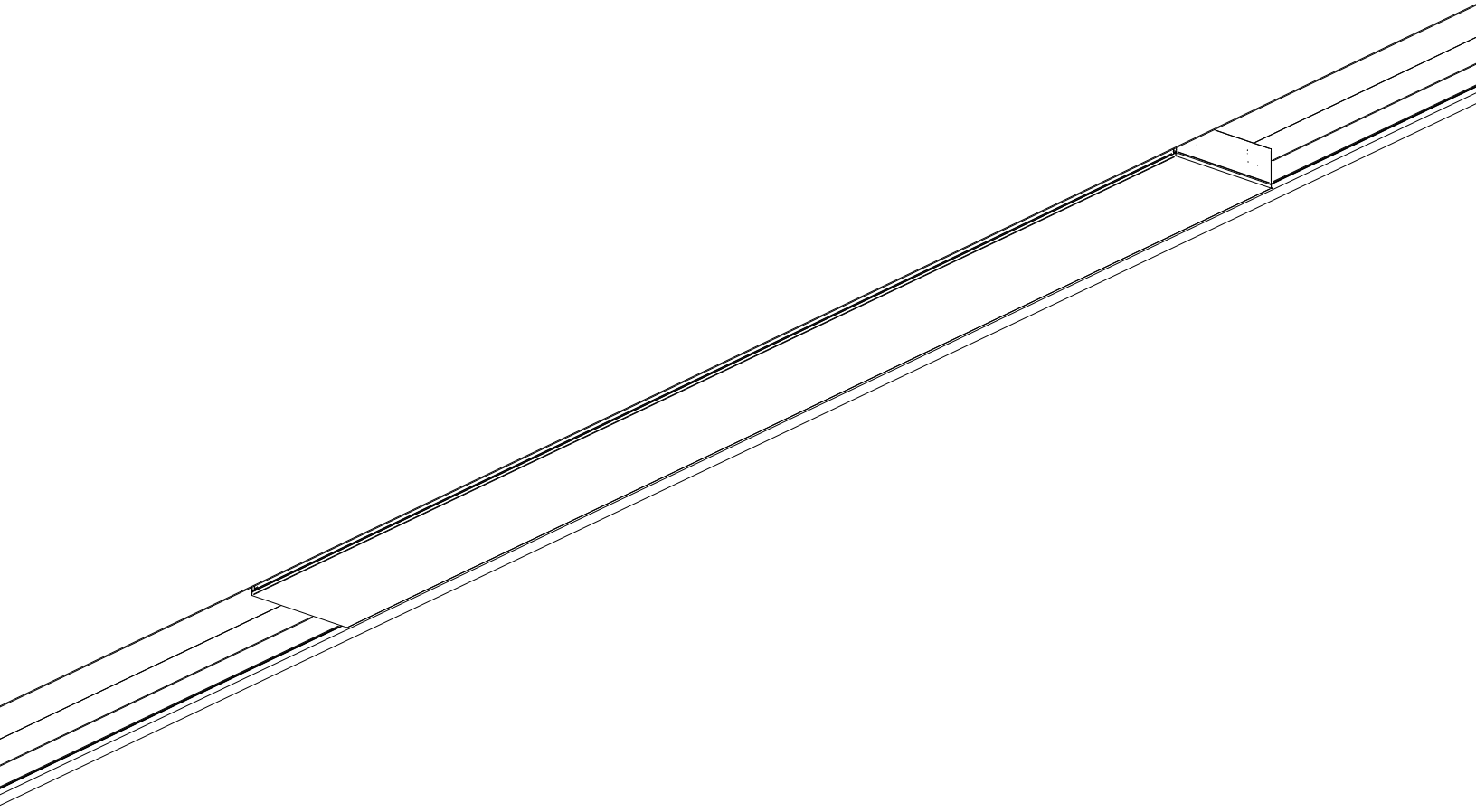
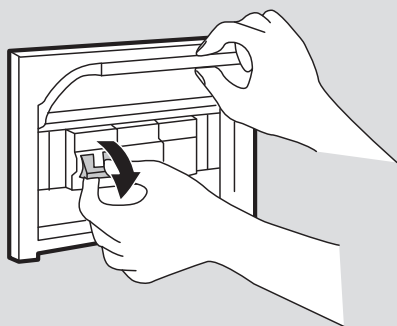
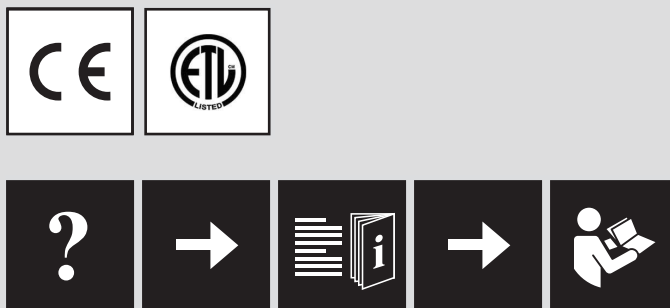


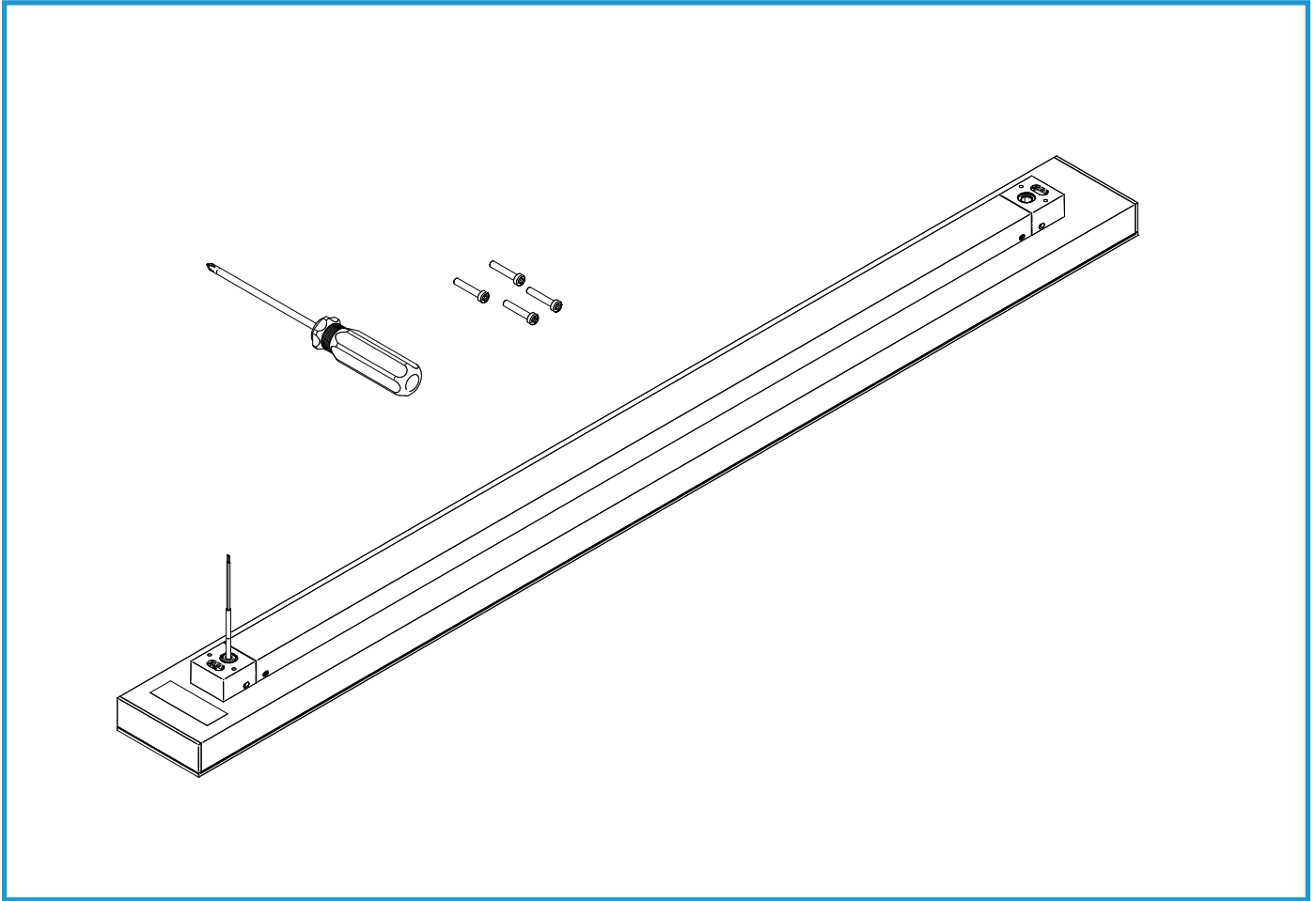
NODE LINEAR LIGHT USER MANUAL



1 Safety Information



2 Required Items

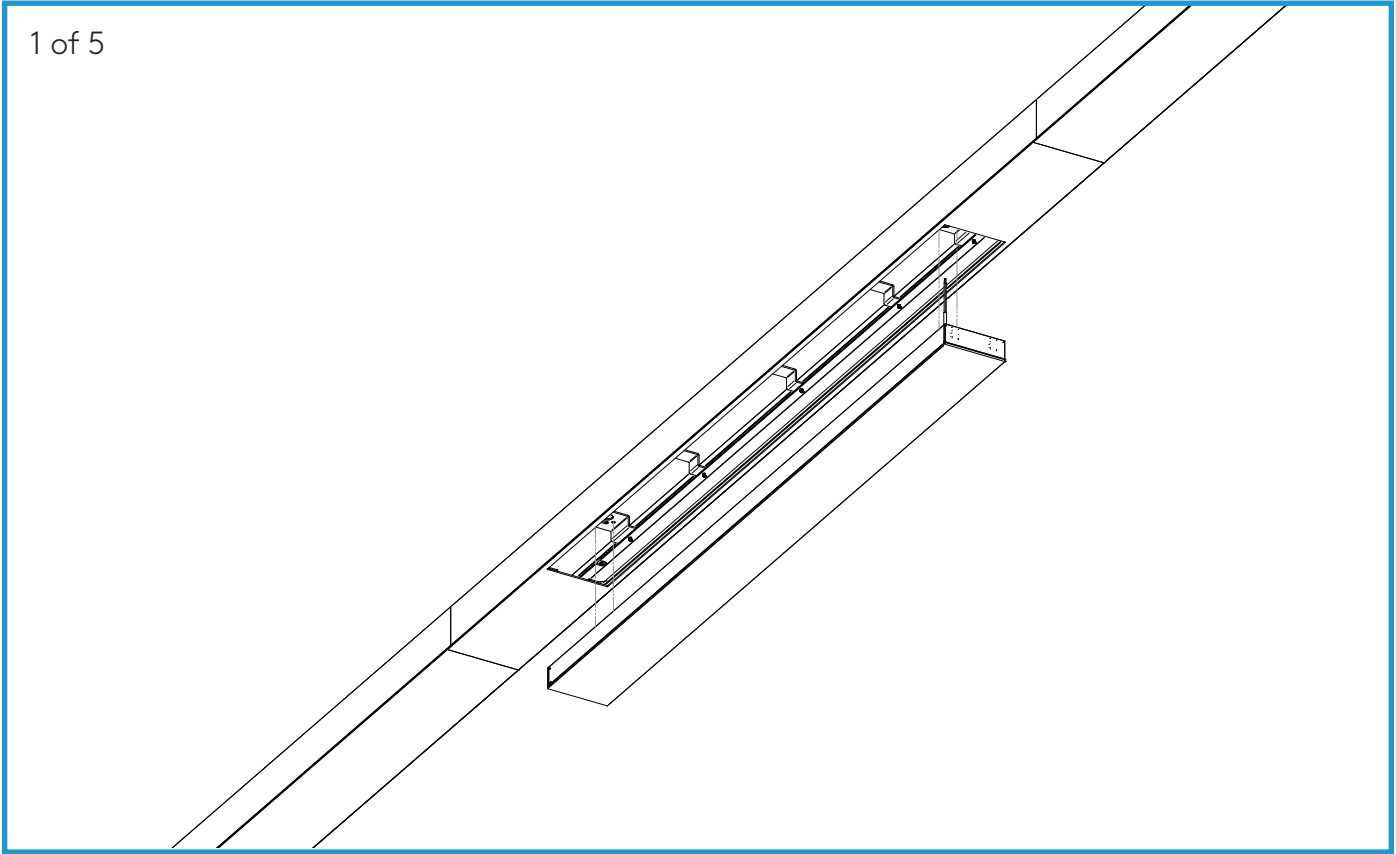


3

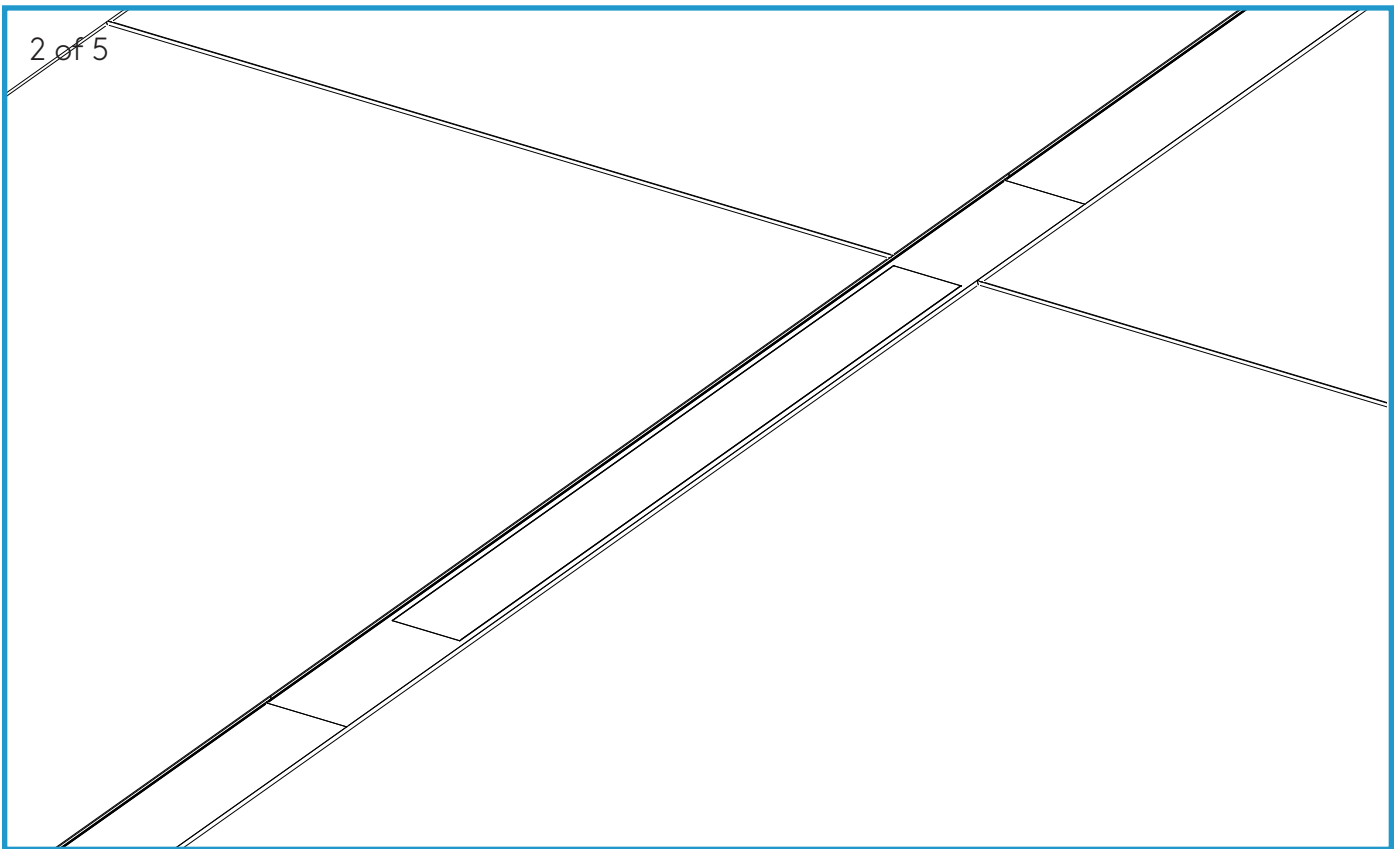
Mounting Scenarios

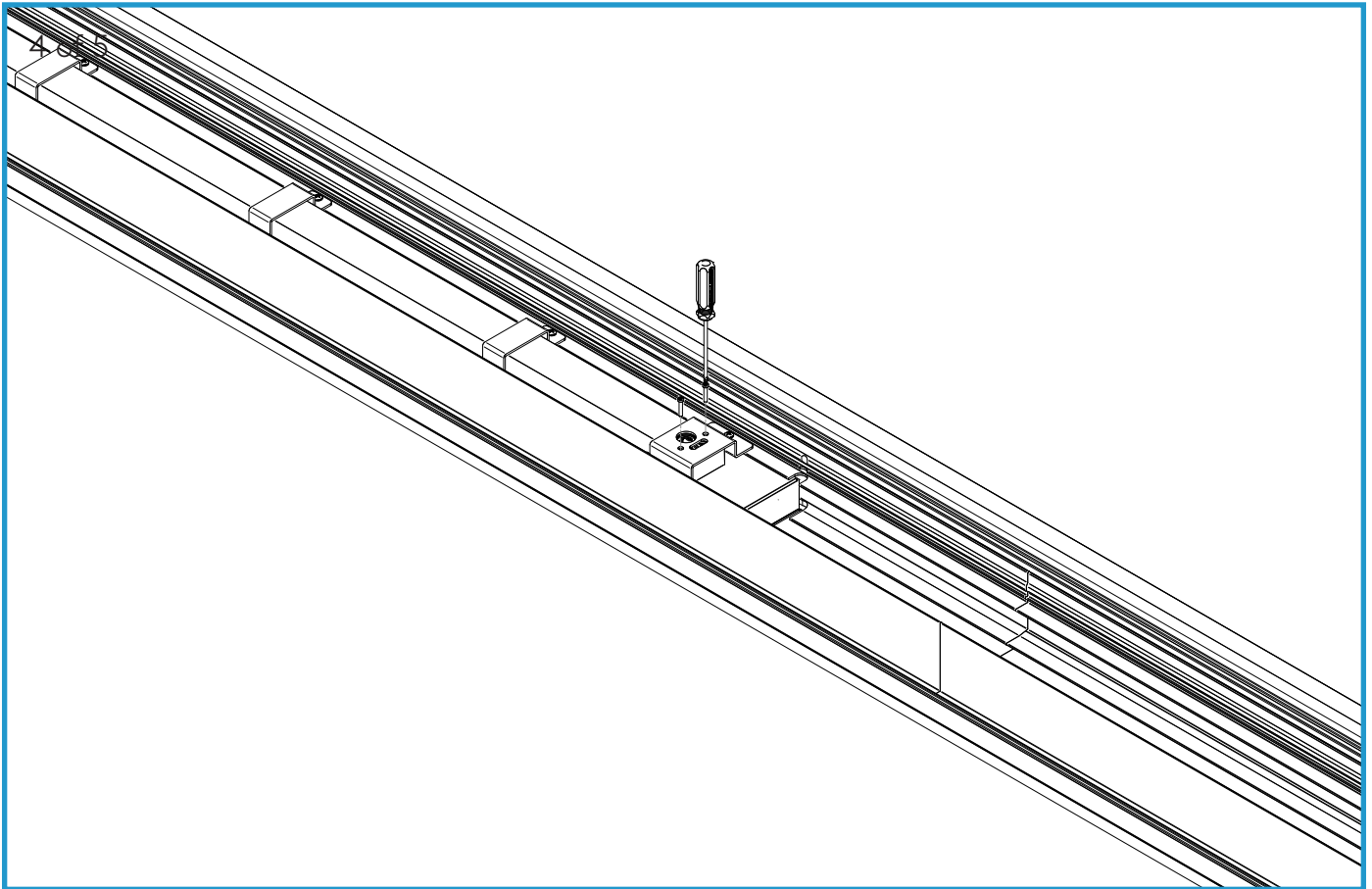
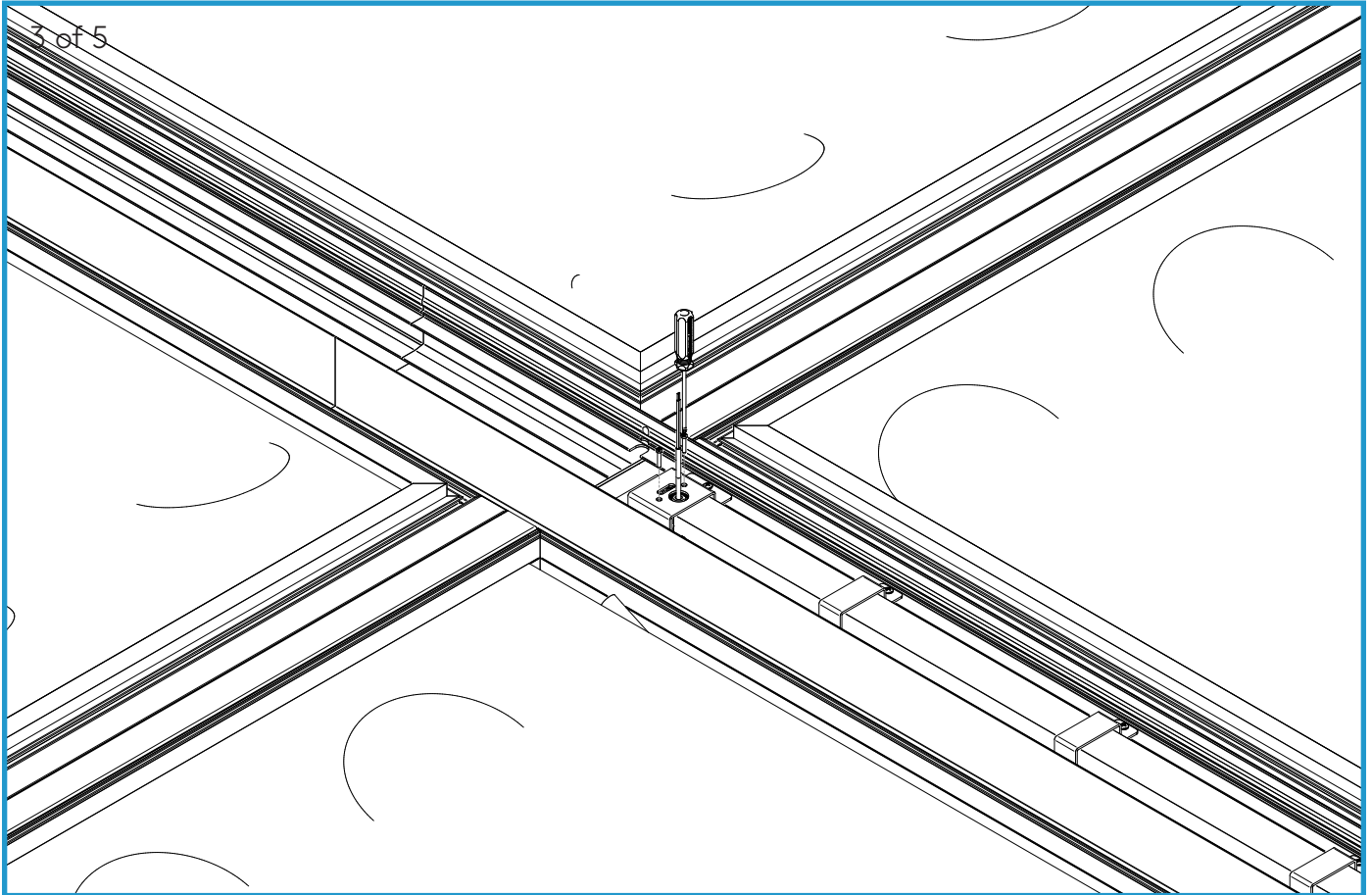
A) Flush Channel Installation

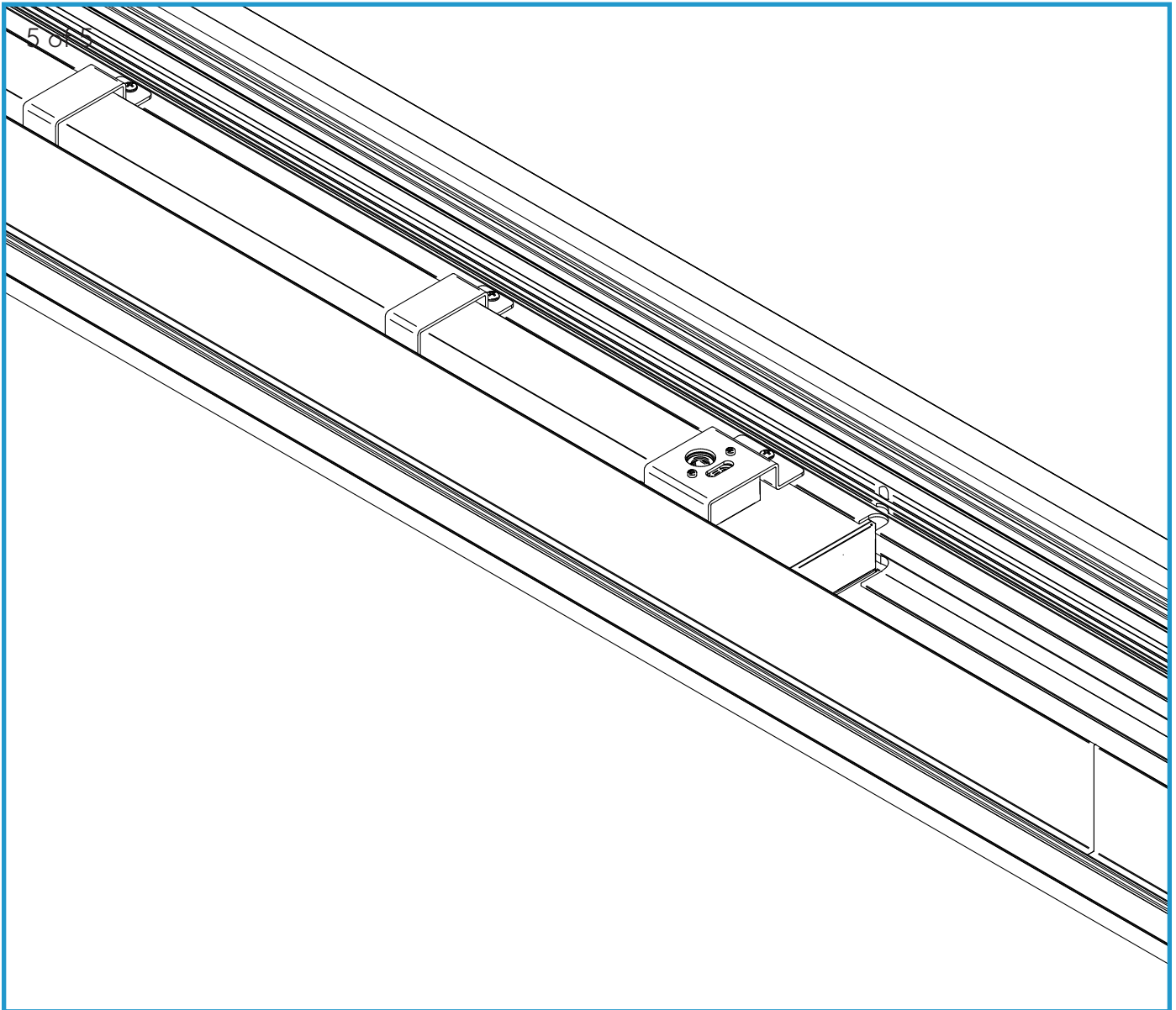
1 of 5



2 of 5



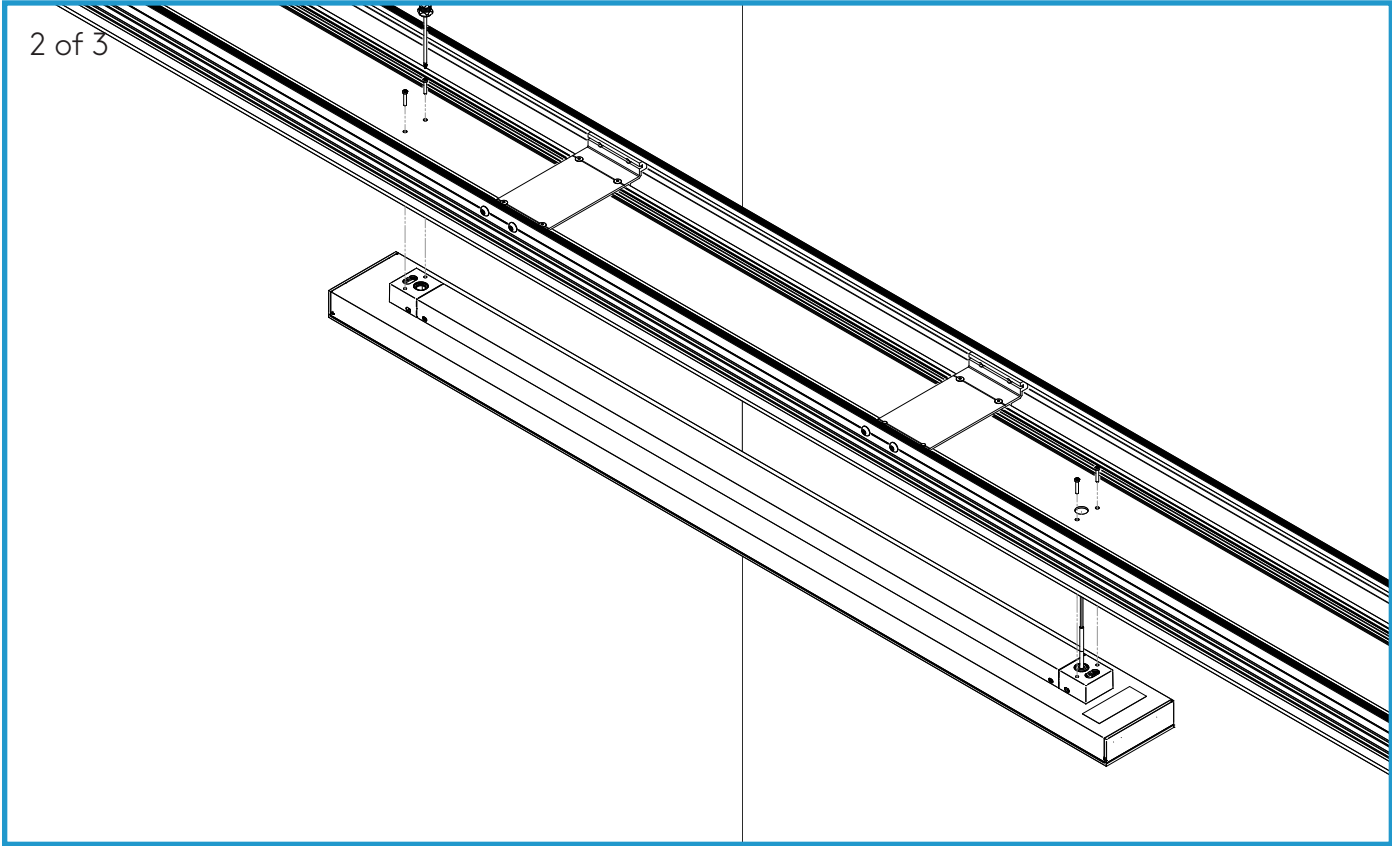
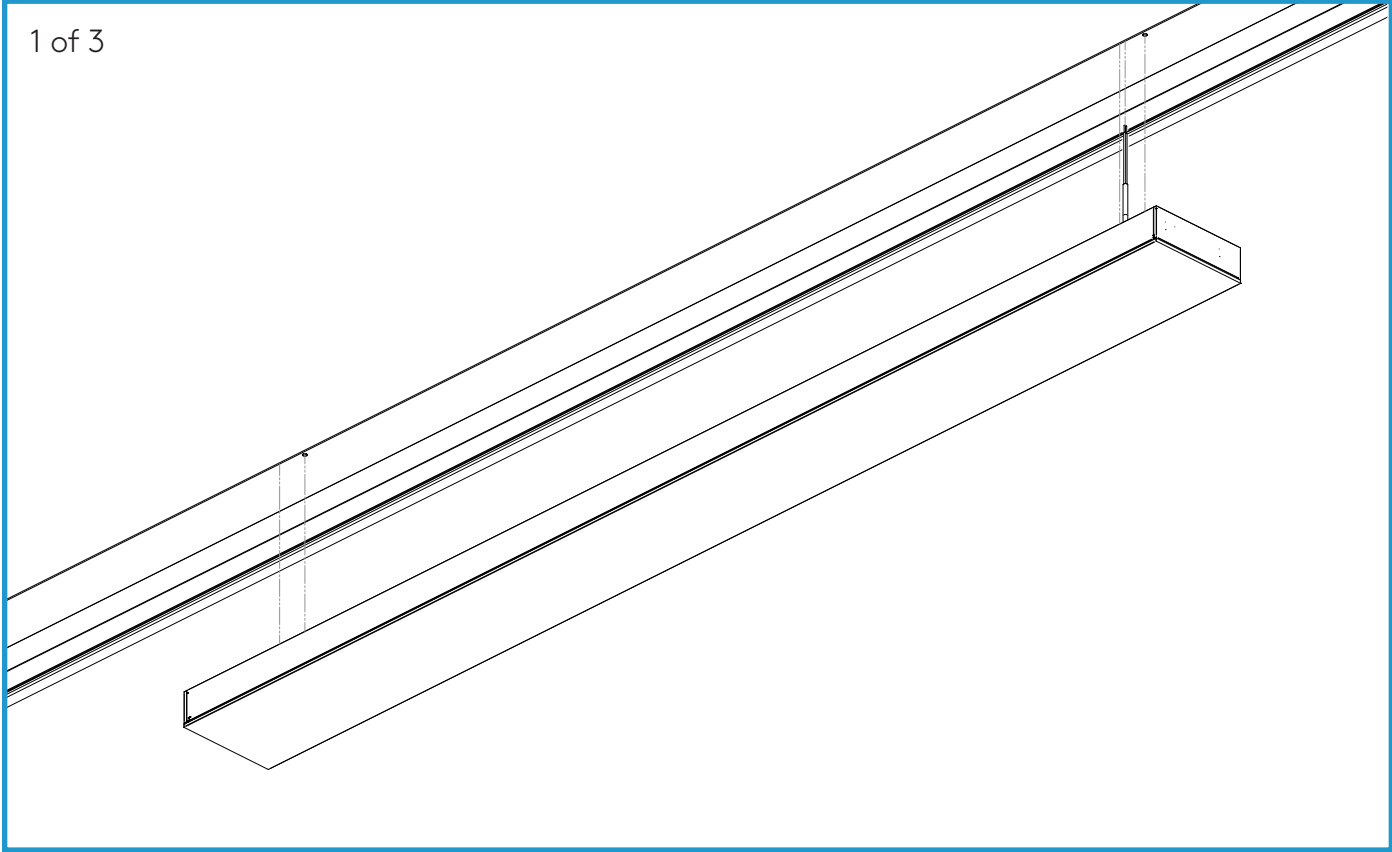


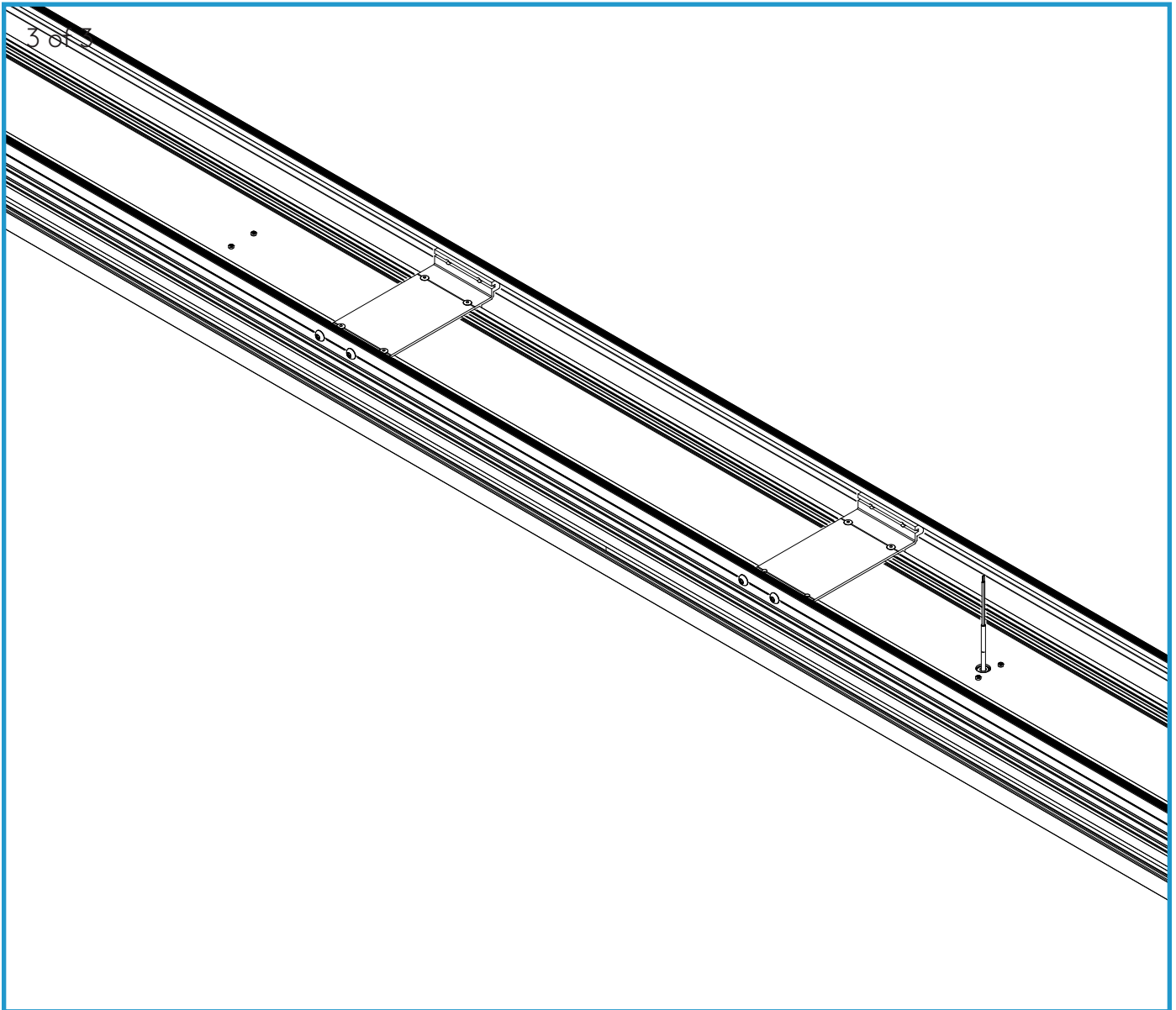


4

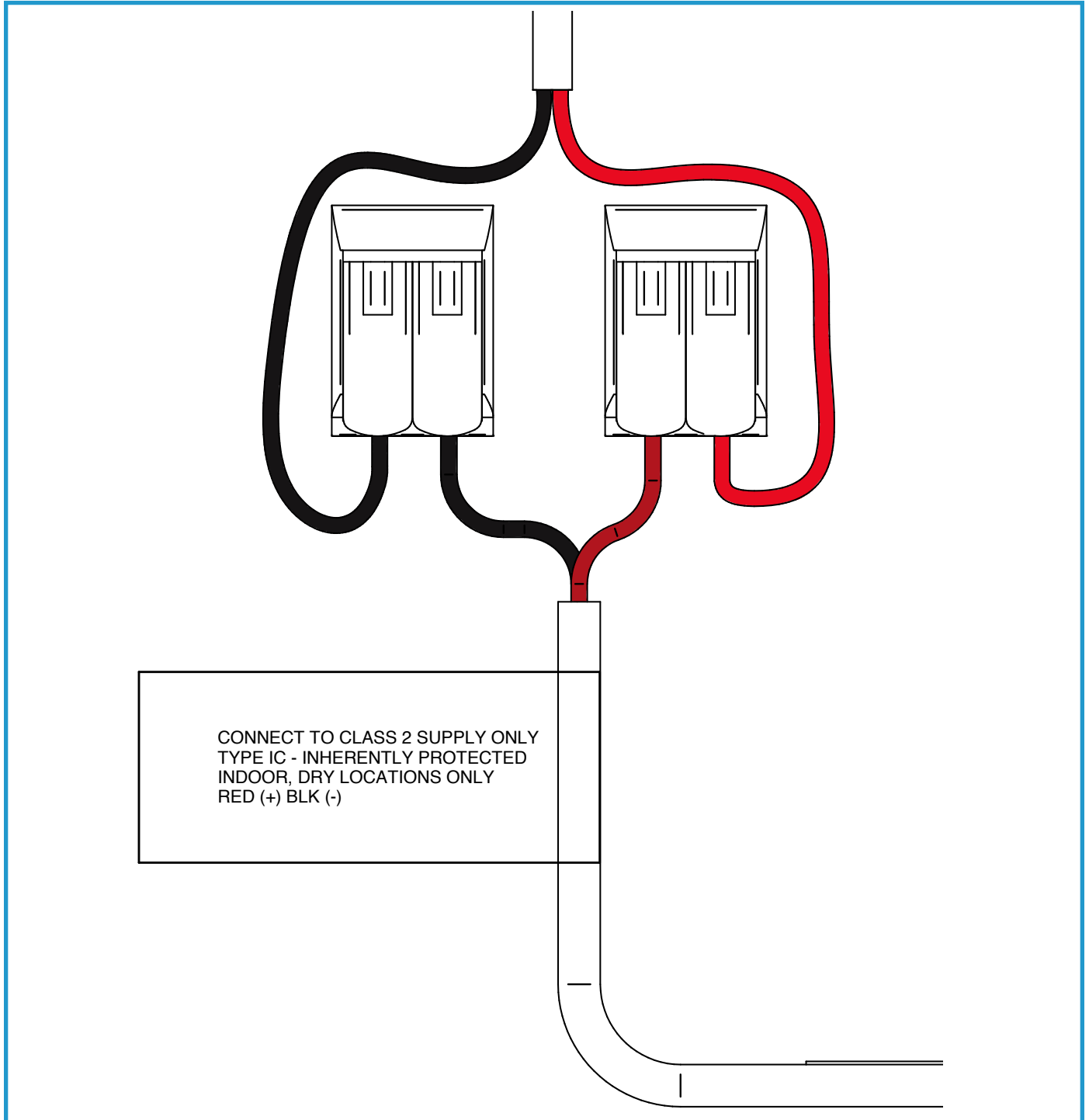
Mounting Scenarios

B) Recessed Channel Installation





4 Wiring Information



NOTE: Installation must be completed by a qualified electrician in accordance to local building codes. For locations where the National Electrical Code (NEC) is enforced, refer to article 411.5A for wiring in a ceiling, article 411.6 for wiring secondary units, and article 411.7 for wiring branch circuits.

node

PARC[®]
A Price Company