

# SUBMITTAL

## GENERAL CONSTRUCTION - NODE EMERGENCY LIGHT

### PROJECT CHECKLIST

TAG: \_\_\_\_\_

QUANTITY: \_\_\_\_\_

### BATTERY:

- CENTRAL BATTERY
- REMOTE BATTERY

### DRIVER:

- DALI AUTOTEST
- MANUAL TEST

### MOUNTING:

- FLUSH CHANNEL
- RECESSED CHANNEL
- TRIMLESS
- SURFACE MOUNT

### MOUNTING ADAPTER:

- NOT REQUIRED
- 4IN ROUND/OCT DEVICE BOX
- 20MM CONDUIT JUNCTION BOX

### EMERGENCY LIGHT TRIM COLOUR:

- WHITE
- BLACK

### HOUSING COLOR:

- BLACK POLYMER - B17
- WHITE POLYMER - RAL 9016

### DEVICE FACE FINISH:

- BLACK POLYMER - B17
- WHITE POLYMER - RAL 9016
- BLACK - PRICE B17
- WHITE - RAL 9016
- ANODIZED - CLEAR SATIN
- ANODIZED - CHAMPAGNE SATIN
- ANODIZED - LIGHT BRONZE SATIN
- ANODIZED - MEDIUM BRONZE SATIN
- ANODIZED - DARK BRONZE SATIN
- ANODIZED - BLACK SATIN

**PARC**  
A Price Company  
WEBSITE: WWW.PARC-CEILINGS.COM

### CONSTRUCTION:

- DEVICE CASING
  - o MOULDED POLYMER
- OUTER HOUSINGS
  - o MOULDED POLYMER

### FINISH:

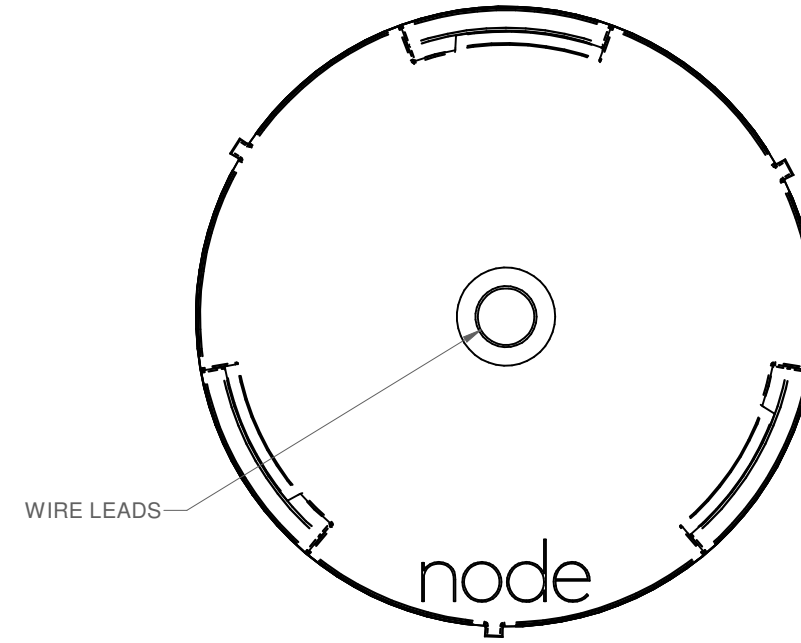
- ALL HARDWARE: MILL FINISH UNLESS OTHERWISE SPECIFIED

### ASSEMBLY AND INSTALLATION

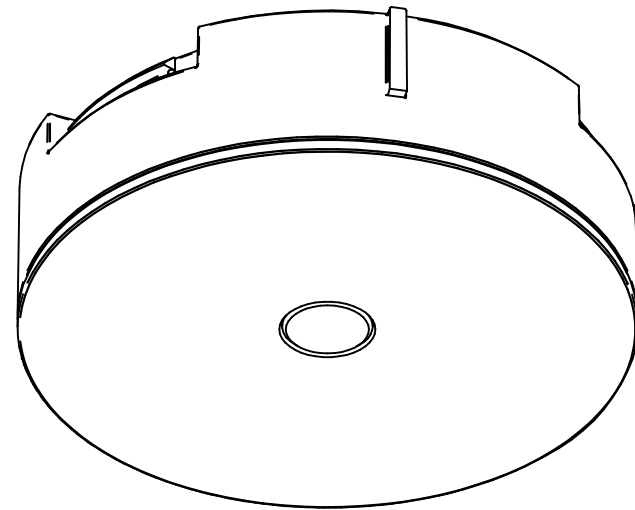
- ALL COMPONENTS SHOWN ARE FACTORY ASSEMBLED BY PARC UNLESS OTHERWISE NOTED
- ALL INSTALLATION BY OTHERS AND METHODS SHOWN ARE NOTIONAL
- (ASSY BY OTHERS): PROVIDED BY PARC, FIELD ASSEMBLED BY OTHERS
- (BY OTHERS): PROVIDED AND FIELD ASSEMBLED BY OTHERS

### NOTES:

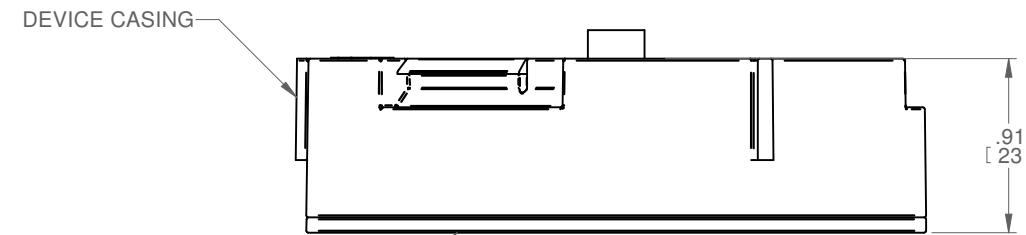
- DIMENSIONS SHOWN IN PARENTHESES ARE FOR REFERENCE ONLY (X.XX)
- METRIC DIMENSIONS SHOWN IN BRACKETS [X.XX]
- PRODUCT FINISH MAY VARY IN TONE, GLOSS AND TEXTURE; VARIATIONS ARE WITHIN PARC QUALITY STANDARDS
- TBC: DETAILS TO BE CONFIRMED



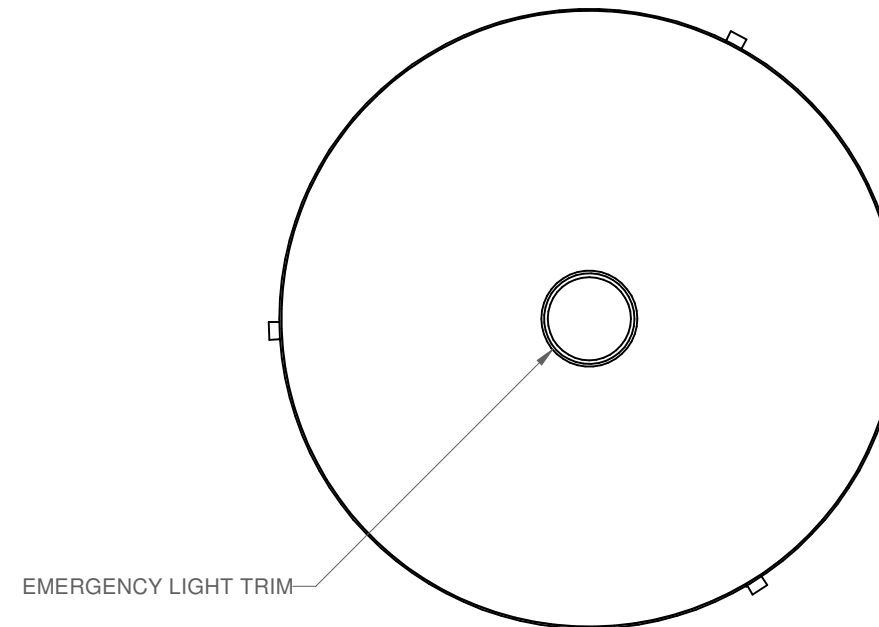
TOP VIEW



ISOMETRIC VIEW



SIDE VIEW



BOTTOM VIEW

B	2020-10-29	AS	JAC
A	2020-06-16	NPT	SMB
REV	DATE	DRAWN BY	CHECKED BY

ALL DIMENSIONS IN INCHES UNLESS OTHERWISE SPECIFIED

TOLERANCES UNLESS OTHERWISE SPECIFIED			
LINEAR	X.X ± .06	X.XX ± .03	X.XXX ± .01 INCHES
ANGULAR	X ± 1	X.X ± .5	X.XX ± .25 DEGREES

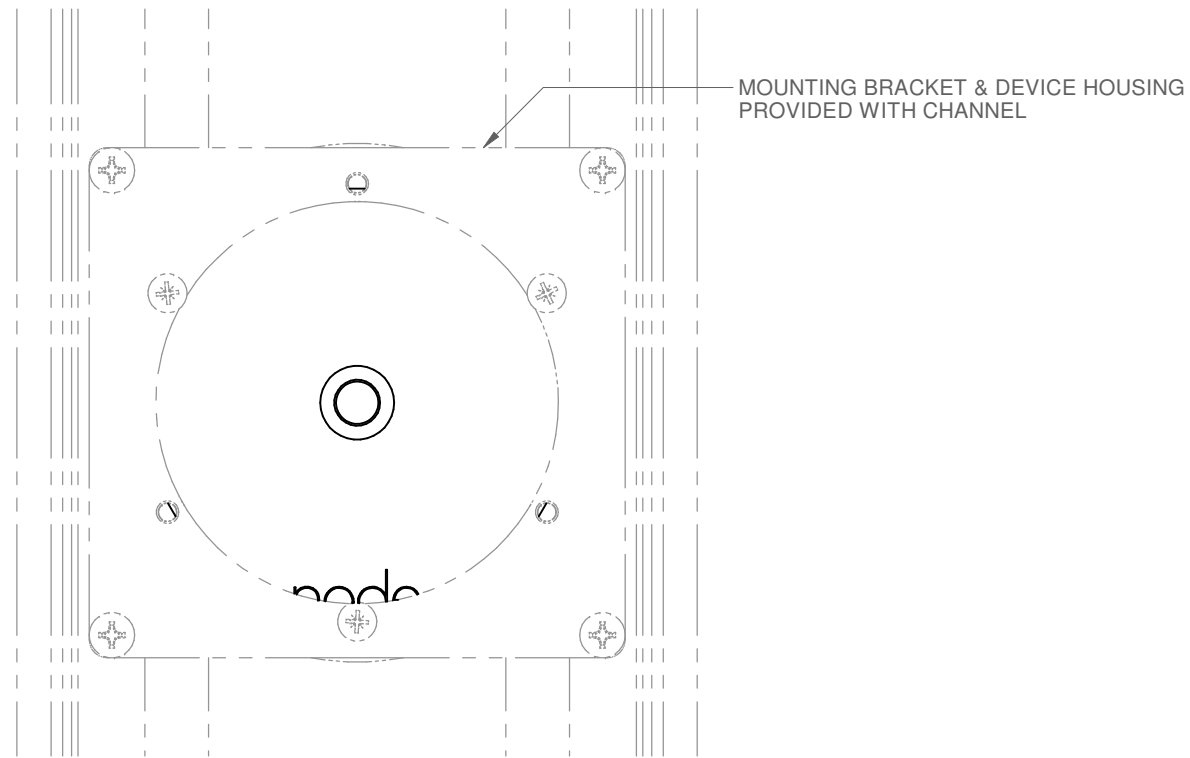
PROJECT

DRAWING TITLE  
**NODE EMERGENCY LIGHT SUBMITTAL**

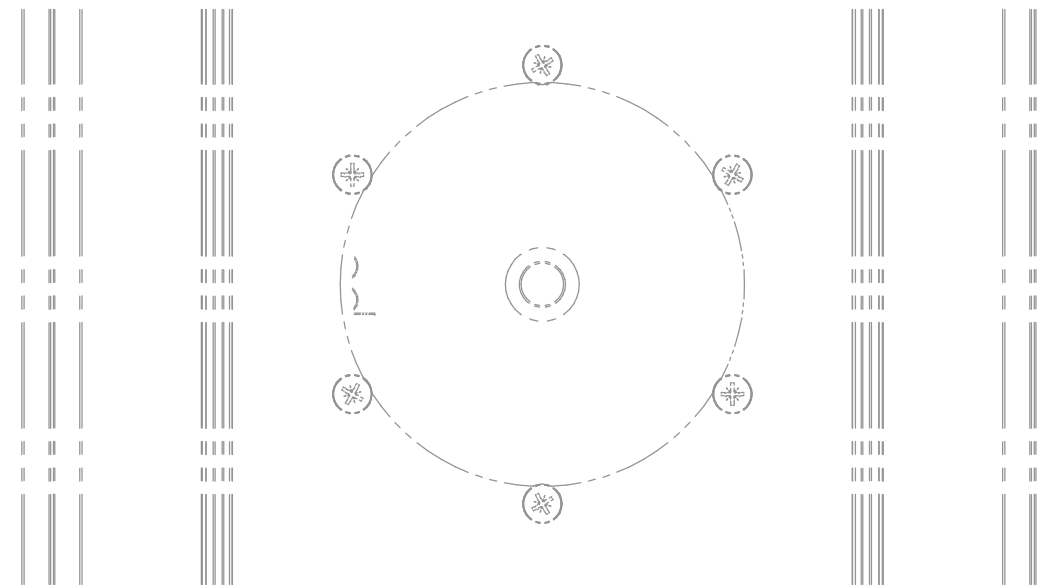
SUBMITTAL NUMBER	<b>272430</b>	SHEET 1 OF 5	SIZE B
------------------	---------------	--------------	--------

© COPYRIGHT PRICE INDUSTRIES 2020

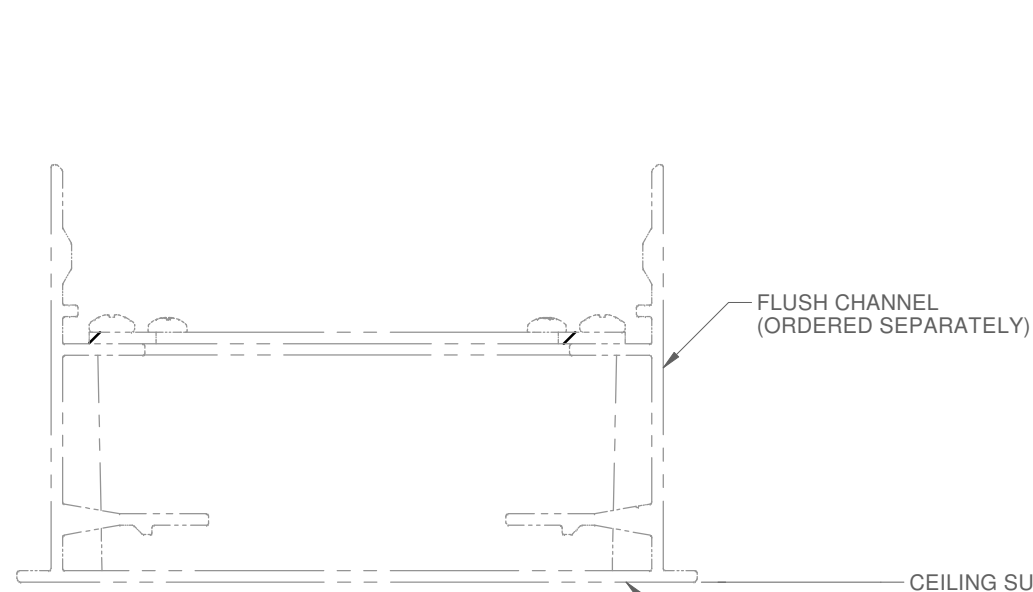
**GENERAL CONSTRUCTION - CHANNEL MOUNTED**



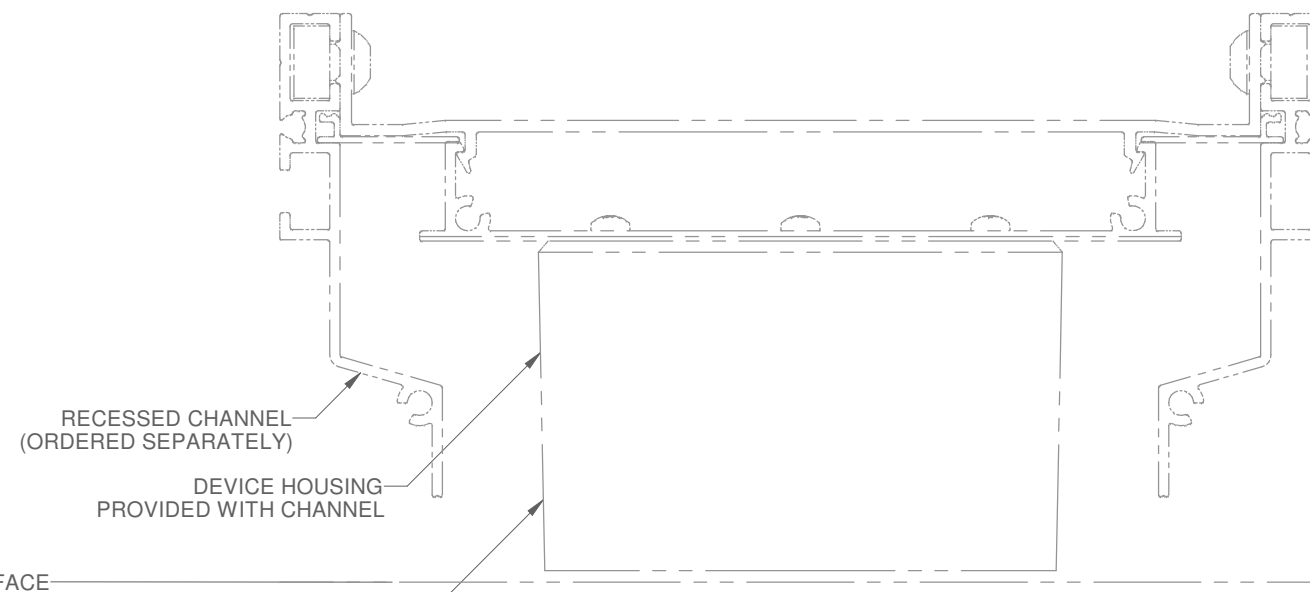
**FLUSH CHANNEL TOP VIEW**



**RECESSED CHANNEL TOP VIEW**



**FLUSH CHANNEL END VIEW**



**RECESSED CHANNEL END VIEW**

**CONSTRUCTION:**

- DEVICE CASING
  - o MOULDED POLYMER
- OUTER HOUSINGS
  - o MOULDED POLYMER

**FINISH:**

- ALL HARDWARE: MILL FINISH UNLESS OTHERWISE SPECIFIED

**ASSEMBLY AND INSTALLATION**

- ALL COMPONENTS SHOWN ARE FACTORY ASSEMBLED BY PARC UNLESS OTHERWISE NOTED
- ALL INSTALLATION BY OTHERS AND METHODS SHOWN ARE NOTIONAL
- (ASSY BY OTHERS): PROVIDED BY PARC, FIELD ASSEMBLED BY OTHERS
- (BY OTHERS): PROVIDED AND FIELD ASSEMBLED BY OTHERS

**NOTES:**

- DIMENSIONS SHOWN IN PARENTHESES ARE FOR REFERENCE ONLY (X.XX)
- METRIC DIMENSIONS SHOWN IN BRACKETS [X.XX]
- PRODUCT FINISH MAY VARY IN TONE, GLOSS AND TEXTURE; VARIATIONS ARE WITHIN PARC QUALITY STANDARDS
- TBC: DETAILS TO BE CONFIRMED

B	2020-10-29	AS	JAC
A	2020-06-16	NPT	SMB
REV	DATE	DRAWN BY	CHECKED BY

ALL DIMENSIONS IN INCHES UNLESS OTHERWISE SPECIFIED

TOLERANCES UNLESS OTHERWISE SPECIFIED			
LINEAR	X.X ± .06	X.XX ± .03	X.XXX ± .01 INCHES
ANGULAR	X ± 1	X.X ± .5	X.XX ± .25 DEGREES

PROJECT

DRAWING TITLE  
**NODE EMERGENCY LIGHT SUBMITTAL**

SUBMITTAL NUMBER	<b>272430</b>	SHEET 2 OF 5	SIZE B
------------------	---------------	--------------	--------

**GENERAL CONSTRUCTION - TRIMLESS**

**CONSTRUCTION:**

- DEVICE CASING
  - o MOULDED POLYMER
- OUTER HOUSINGS
  - o MOULDED POLYMER

**FINISH:**

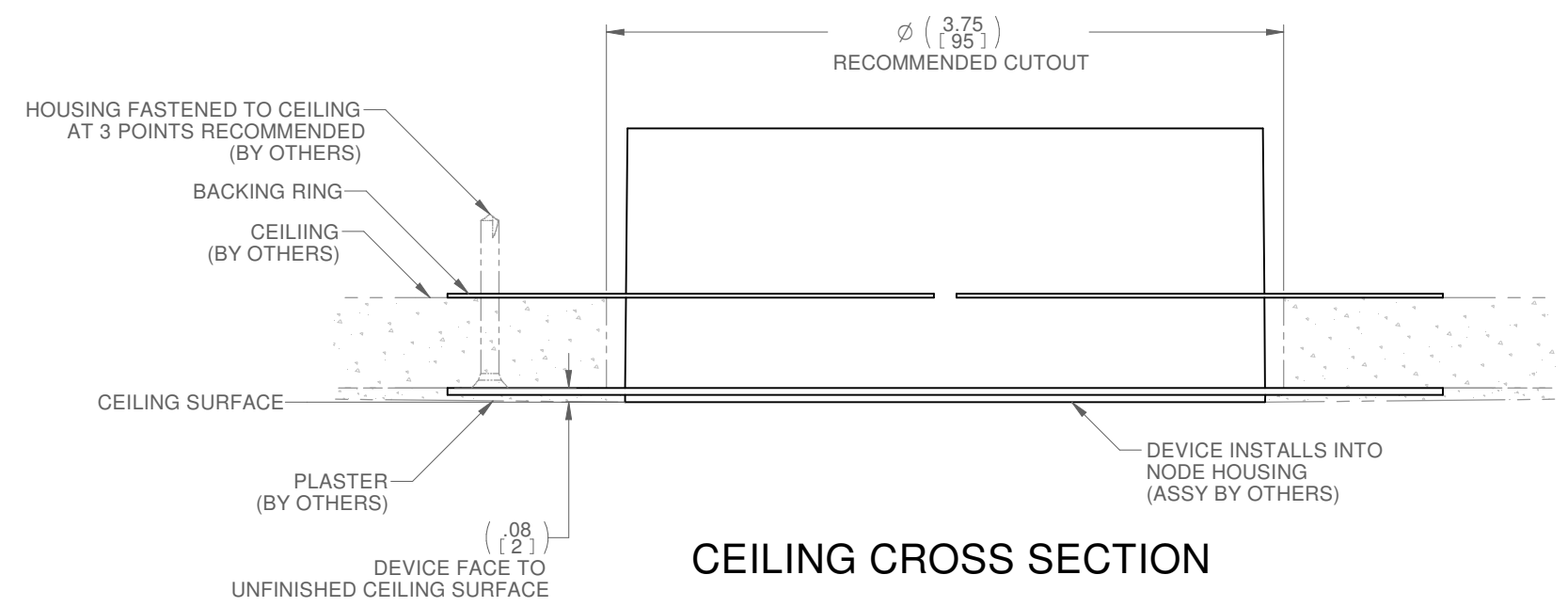
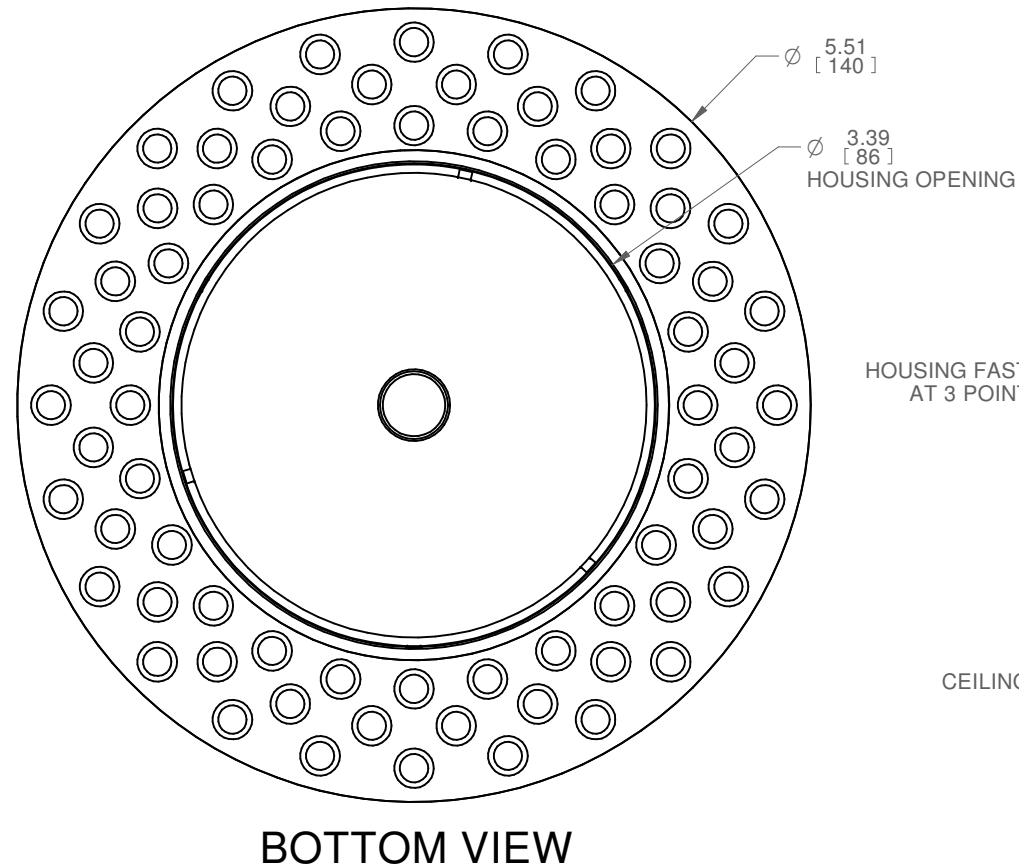
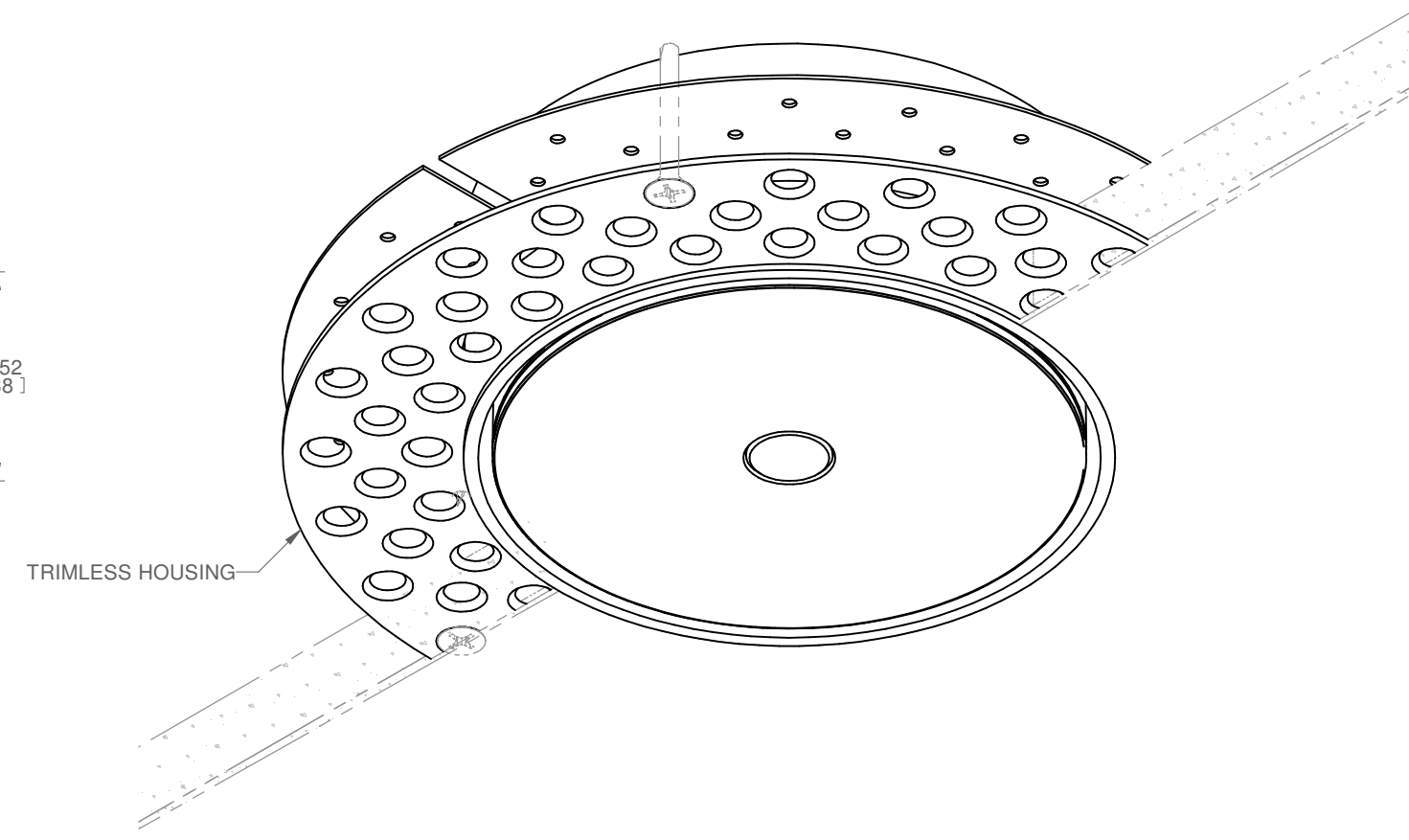
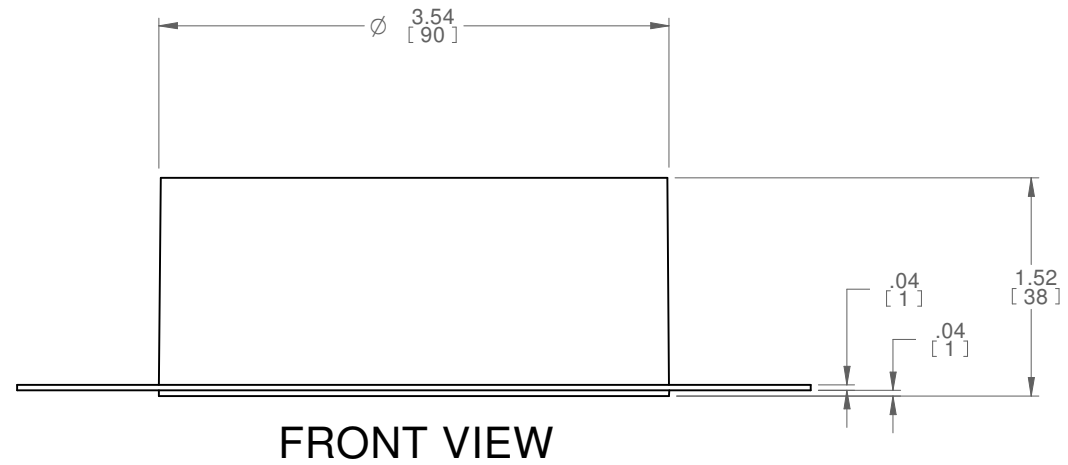
- ALL HARDWARE: MILL FINISH UNLESS OTHERWISE SPECIFIED

**ASSEMBLY AND INSTALLATION**

- ALL COMPONENTS SHOWN ARE FACTORY ASSEMBLED BY PARC UNLESS OTHERWISE NOTED
- ALL INSTALLATION BY OTHERS AND METHODS SHOWN ARE NOTIONAL
- (ASSY BY OTHERS): PROVIDED BY PARC, FIELD ASSEMBLED BY OTHERS
- (BY OTHERS): PROVIDED AND FIELD ASSEMBLED BY OTHERS

**NOTES:**

- DIMENSIONS SHOWN IN PARENTHESES ARE FOR REFERENCE ONLY (X.XX)
- METRIC DIMENSIONS SHOWN IN BRACKETS [X.XX]
- PRODUCT FINISH MAY VARY IN TONE, GLOSS AND TEXTURE; VARIATIONS ARE WITHIN PARC QUALITY STANDARDS
- TBC: DETAILS TO BE CONFIRMED



B	2020-10-29	AS	JAC
A	2020-06-16	NPT	SMB
REV	DATE	DRAWN BY	CHECKED BY

ALL DIMENSIONS IN INCHES UNLESS OTHERWISE SPECIFIED

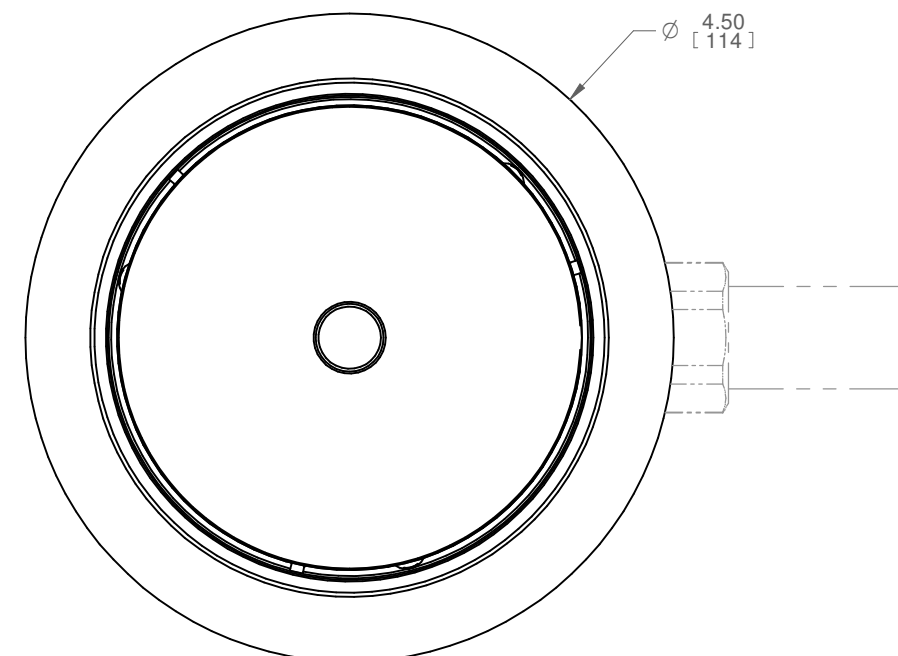
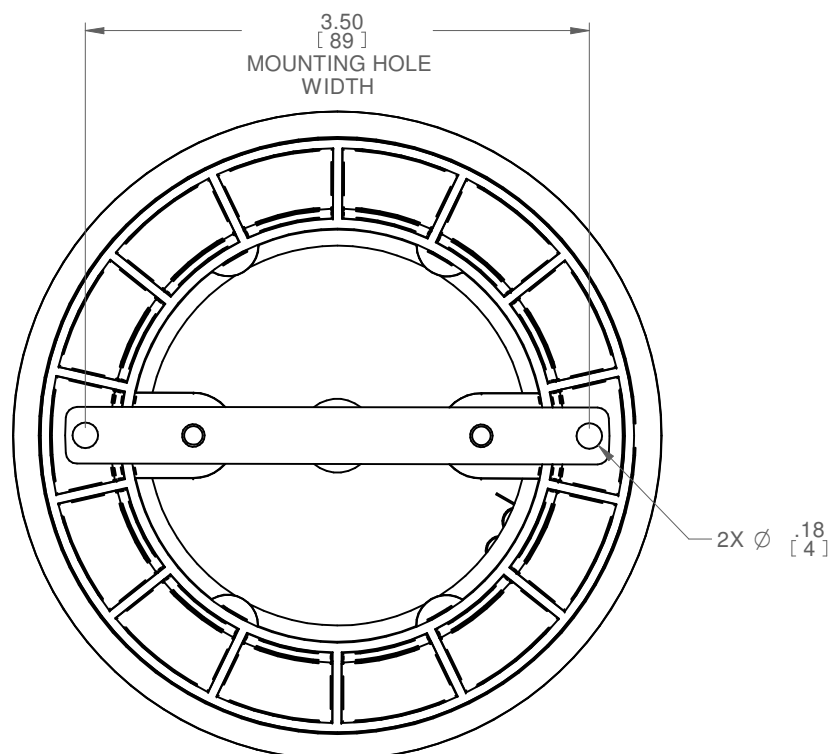
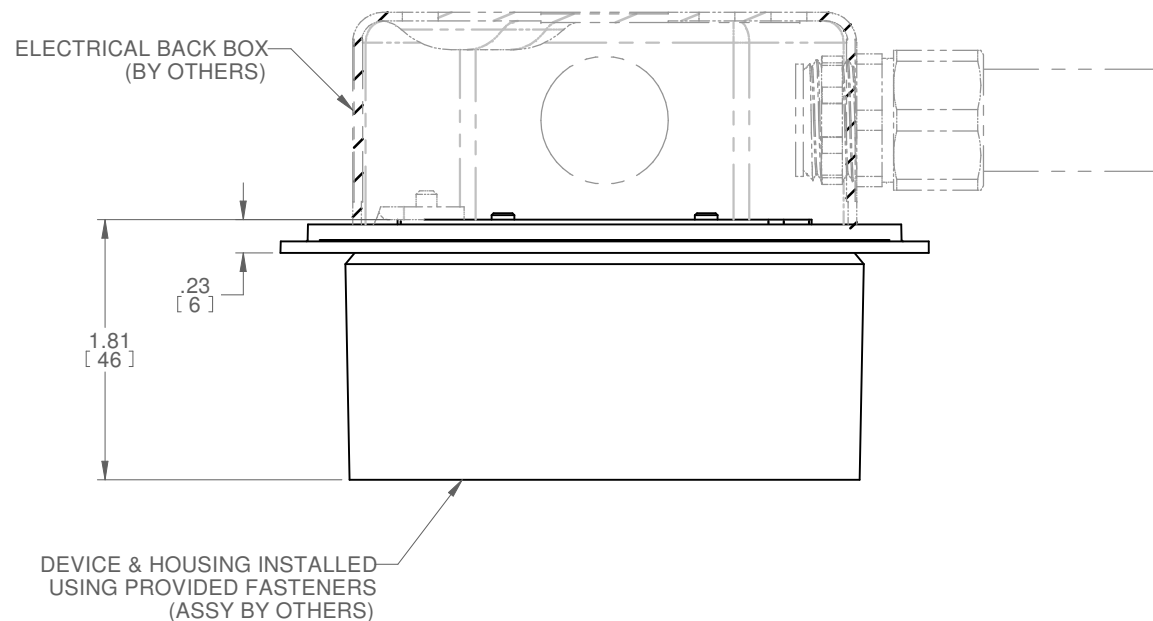
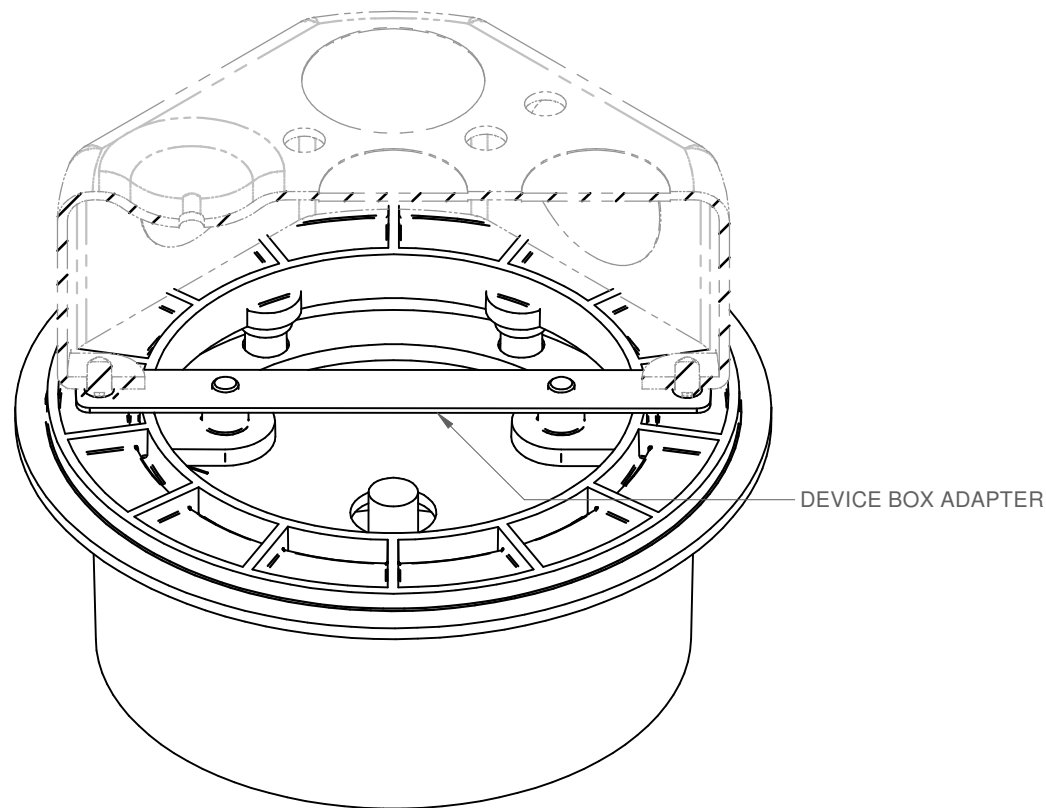
TOLERANCES UNLESS OTHERWISE SPECIFIED			
LINEAR	X.X ± .06	X.XX ± .03	X.XXX ± .01
ANGULAR	X ± 1	X.X ± .5	X.XX ± .25
			DEGREES

PROJECT

DRAWING TITLE  
**NODE EMERGENCY LIGHT SUBMITTAL**

SUBMITTAL NUMBER	<b>272430</b>	SHEET 3 OF 5	SIZE <b>B</b>
© COPYRIGHT PRICE INDUSTRIES 2020			

**GENERAL CONSTRUCTION - SURFACE MOUNT**



**CONSTRUCTION:**

- DEVICE CASING
  - o MOULDED POLYMER
- OUTER HOUSINGS
  - o MOULDED POLYMER

**FINISH:**

- ALL HARDWARE: MILL FINISH UNLESS OTHERWISE SPECIFIED

**ASSEMBLY AND INSTALLATION**

- ALL COMPONENTS SHOWN ARE FACTORY ASSEMBLED BY PARC UNLESS OTHERWISE NOTED
- ALL INSTALLATION BY OTHERS AND METHODS SHOWN ARE NOTIONAL
- (ASSY BY OTHERS): PROVIDED BY PARC, FIELD ASSEMBLED BY OTHERS
- (BY OTHERS): PROVIDED AND FIELD ASSEMBLED BY OTHERS

**NOTES:**

- DIMENSIONS SHOWN IN PARENTHESES ARE FOR REFERENCE ONLY (X.XX)
- METRIC DIMENSIONS SHOWN IN BRACKETS [X.XX]
- PRODUCT FINISH MAY VARY IN TONE, GLOSS AND TEXTURE; VARIATIONS ARE WITHIN PARC QUALITY STANDARDS
- TBC: DETAILS TO BE CONFIRMED

REV	DATE	DRAWN BY	CHECKED BY
B	2020-10-29	AS	JAC
A	2020-06-16	NPT	SMB

ALL DIMENSIONS IN INCHES UNLESS OTHERWISE SPECIFIED

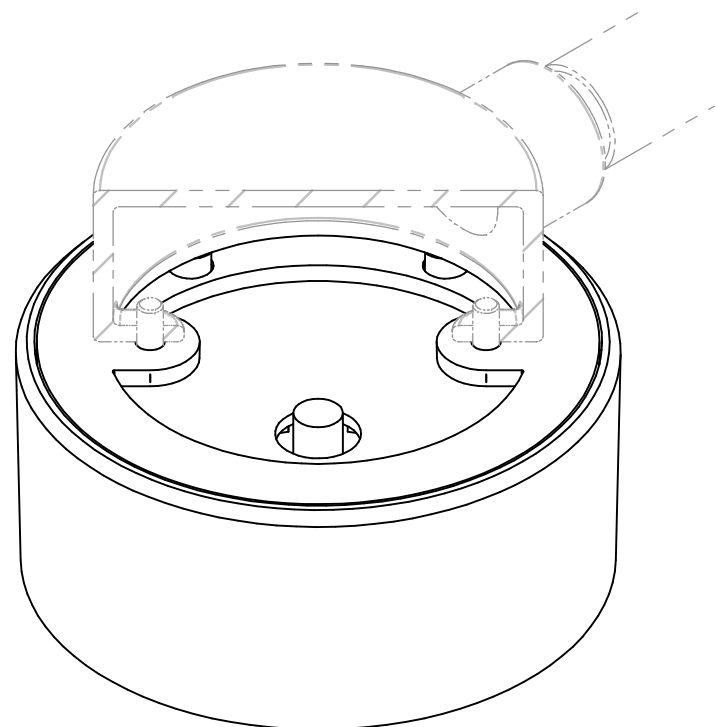
TOLERANCES UNLESS OTHERWISE SPECIFIED			
LINEAR	X.X ± .06	X.XX ± .03	X.XXX ± .01 INCHES
ANGULAR	X ± 1	X.X ± .5	X.XX ± .25 DEGREES

PROJECT

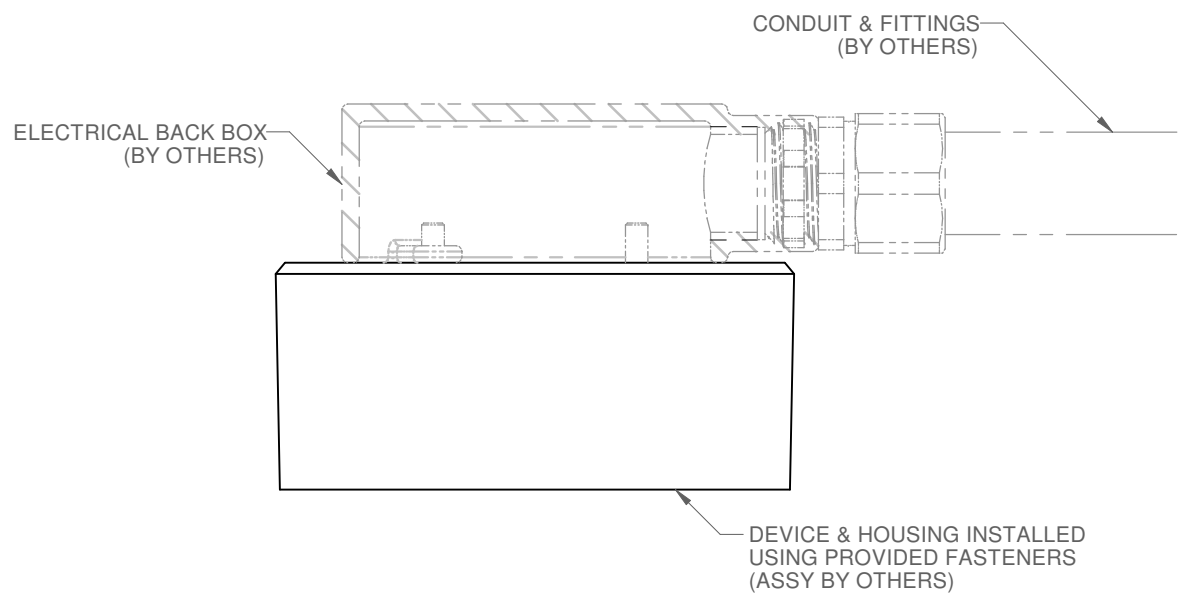
DRAWING TITLE  
**NODE EMERGENCY LIGHT SUBMITTAL**

SUBMITTAL NUMBER	<b>272430</b>	SHEET 4 OF 5	SIZE <b>B</b>
------------------	---------------	--------------	---------------

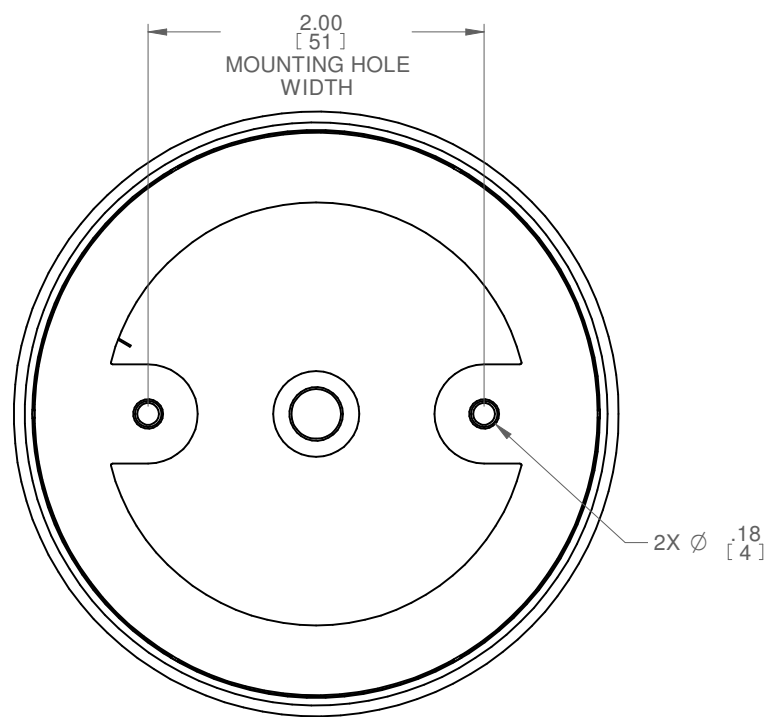
**GENERAL CONSTRUCTION - SURFACE MOUNT (CONTINUED)**



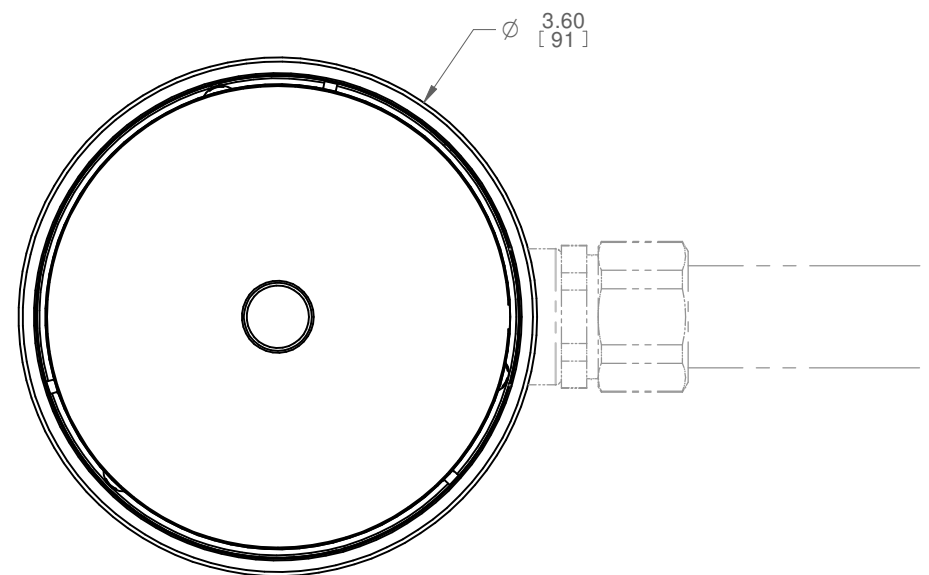
**ISOMETRIC VIEW**  
20MM CONDUIT JUNCTION BOX



**SIDE VIEW**  
20MM CONDUIT JUNCTION BOX



**TOP VIEW**  
20MM CONDUIT JUNCTION BOX



**BOTTOM VIEW**  
20MM CONDUIT JUNCTION BOX

**CONSTRUCTION:**

- DEVICE CASING
  - o MOULDED POLYMER
- OUTER HOUSINGS
  - o MOULDED POLYMER

**FINISH:**

- ALL HARDWARE: MILL FINISH UNLESS OTHERWISE SPECIFIED

**ASSEMBLY AND INSTALLATION**

- ALL COMPONENTS SHOWN ARE FACTORY ASSEMBLED BY PARC UNLESS OTHERWISE NOTED
- ALL INSTALLATION BY OTHERS AND METHODS SHOWN ARE NOTIONAL
- (ASSY BY OTHERS): PROVIDED BY PARC, FIELD ASSEMBLED BY OTHERS
- (BY OTHERS): PROVIDED AND FIELD ASSEMBLED BY OTHERS

**NOTES:**

- DIMENSIONS SHOWN IN PARENTHESES ARE FOR REFERENCE ONLY (X.XX)
- METRIC DIMENSIONS SHOWN IN BRACKETS [X.XX]
- PRODUCT FINISH MAY VARY IN TONE, GLOSS AND TEXTURE; VARIATIONS ARE WITHIN PARC QUALITY STANDARDS
- TBC: DETAILS TO BE CONFIRMED

REV	DATE	DRAWN BY	CHECKED BY
B	2020-10-29	AS	JAC
A	2020-06-16	NPT	SMB

ALL DIMENSIONS IN INCHES UNLESS OTHERWISE SPECIFIED

TOLERANCES UNLESS OTHERWISE SPECIFIED			
LINEAR	X.X ± .06	X.XX ± .03	X.XXX ± .01 INCHES
ANGULAR	X ± 1	X.X ± .5	X.XX ± .25 DEGREES

PROJECT

DRAWING TITLE  
**NODE EMERGENCY LIGHT SUBMITTAL**

SUBMITTAL NUMBER	<b>272430</b>	SHEET 5 OF 5	SIZE B
------------------	---------------	--------------	--------