

SUBMITTAL

GENERAL CONSTRUCTION - FLUSH CHANNEL PLENUM

PROJECT CHECKLIST

TAG: _____

QUANTITY: _____

STYLE:

- FLUSH CHANNEL
- RECESSED CHANNEL

UNIT OF MEASURE:

- MILLIMETERS

LENGTH:

- 600 MM
- 1200 MM

CONFIGURATION:

- HORIZONTAL FLOW
- OPPOSED HORIZONTAL FLOW
- VERTICAL FLOW

DISCHARGE ORIENTATION:

- AWAY FROM INLET
- TOWARDS INLET

INLET SIZE:

- 8-INCH NOMINAL (200MM) ROUND

INSULATION:

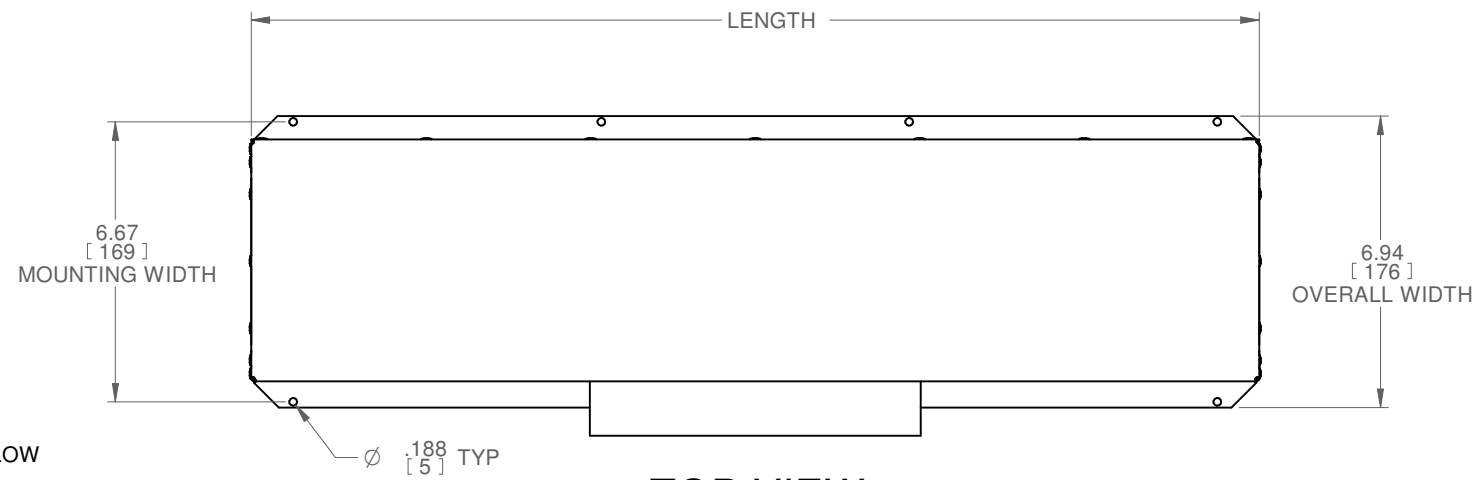
- NO INSULATION
- 0.5 IN FIBER FREE (INTERNAL)

INSULATION RATING:

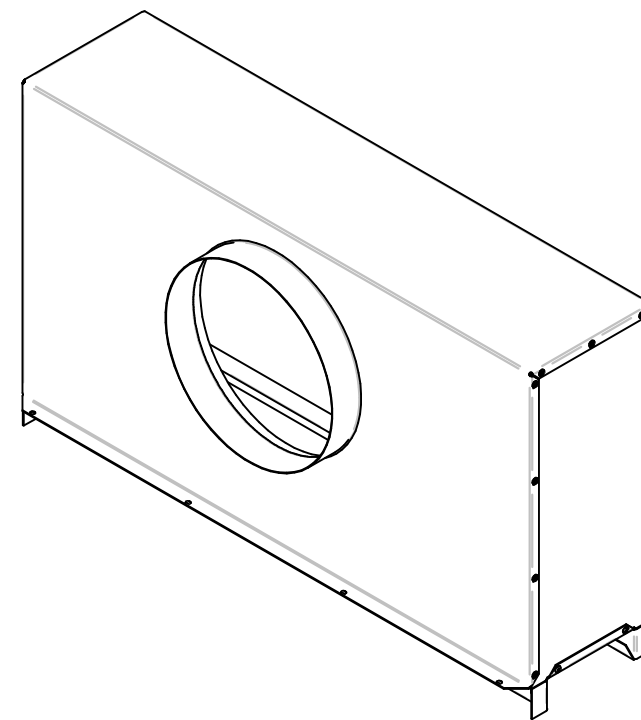
- UL - 25/50
- EUROCLASS - B S3 D0

FINISHES:

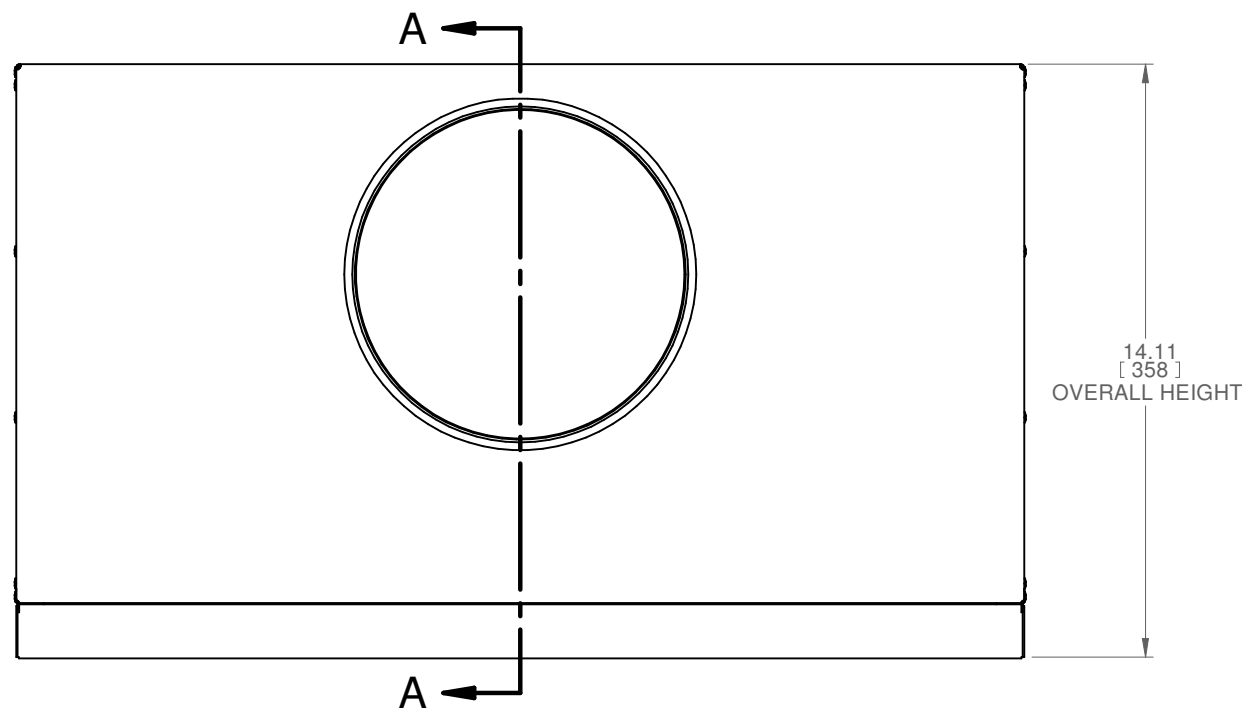
- BLACK - B17



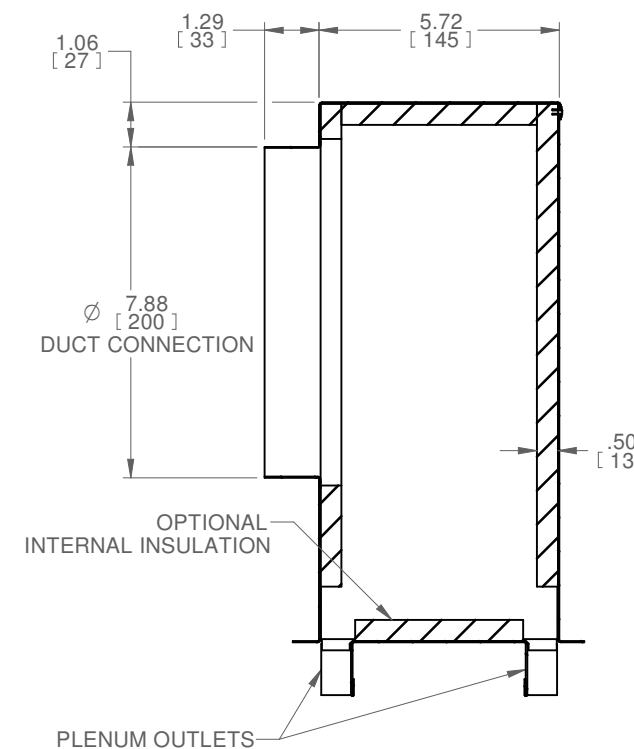
TOP VIEW



ISOMETRIC VIEW



FRONT VIEW



SECTION A-A

PARC
A Price Company
PARC-CEILINGS.COM

CONSTRUCTION:

- PLENUM
 - o COATED STEEL SHEET
 - o ALTERNATIVE: ALUMINUM SHEET

FINISH:

- ALL HARDWARE: MILL FINISH UNLESS OTHERWISE SPECIFIED

ASSEMBLY AND INSTALLATION

- ALL COMPONENTS SHOWN ARE FACTORY ASSEMBLED BY PARC UNLESS OTHERWISE NOTED
- ALL INSTALLATION BY OTHERS AND METHODS SHOWN ARE NOTIONAL
- (ASSY BY OTHERS): PROVIDED BY PARC, FIELD ASSEMBLED BY OTHERS
- (BY OTHERS): PROVIDED AND FIELD ASSEMBLED BY OTHERS

NOTES:

- DIMENSIONS SHOWN IN PARENTHESES ARE FOR REFERENCE ONLY (X.XX)
- METRIC DIMENSIONS SHOWN IN BRACKETS [X.XX]
- PRODUCT FINISH MAY VARY IN TONE, GLOSS AND TEXTURE; VARIATIONS ARE WITHIN PARC QUALITY STANDARDS
- TBC: DETAILS TO BE CONFIRMED

REV	DATE	DRAWN BY	CHECKED BY
C	2021-10-15	AS	JAC
B	2021-06-11	NPT	KVR
A	2020-07-20	NPT	MLH

ALL DIMENSIONS IN INCHES UNLESS OTHERWISE SPECIFIED

TOLERANCES UNLESS OTHERWISE SPECIFIED
 LINEAR X.X ± .06 X.XX ± .03 X.XXX ± .01 INCHES
 ANGULAR X ± 1 X.X ± .5 X.XX ± .25 DEGREES

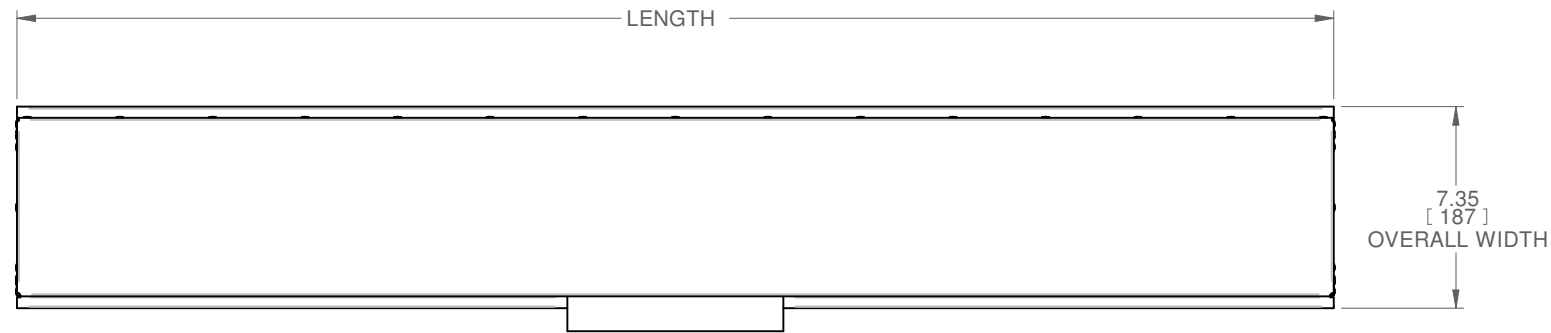
PROJECT

DRAWING TITLE
NODE CHANNEL PLENUM

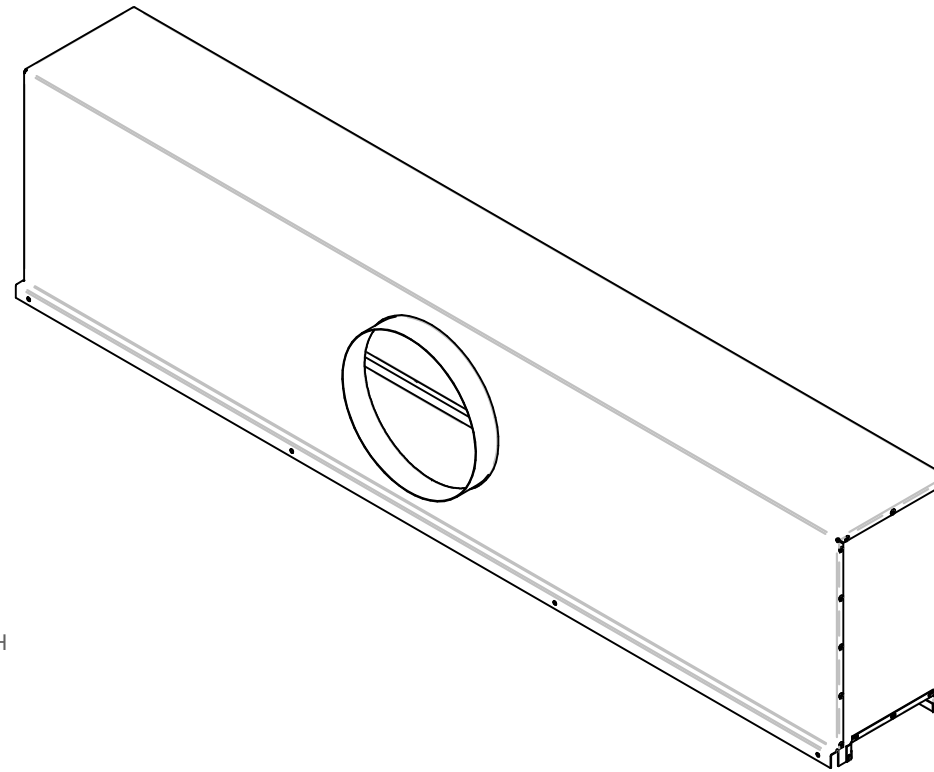
SUBMITTAL NUMBER **272380** SHEET 1 OF 4 SIZE **B**

© COPYRIGHT PRICE INDUSTRIES 2021

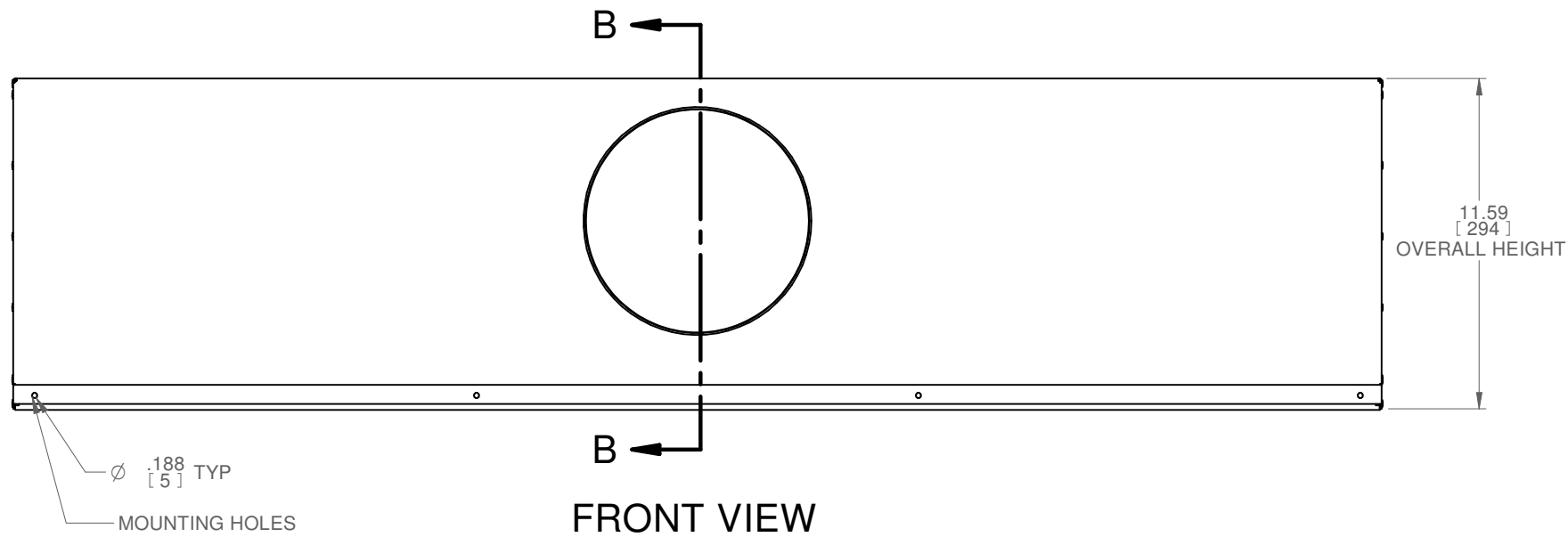
GENERAL CONSTRUCTION - RECESSED CHANNEL PLENUM



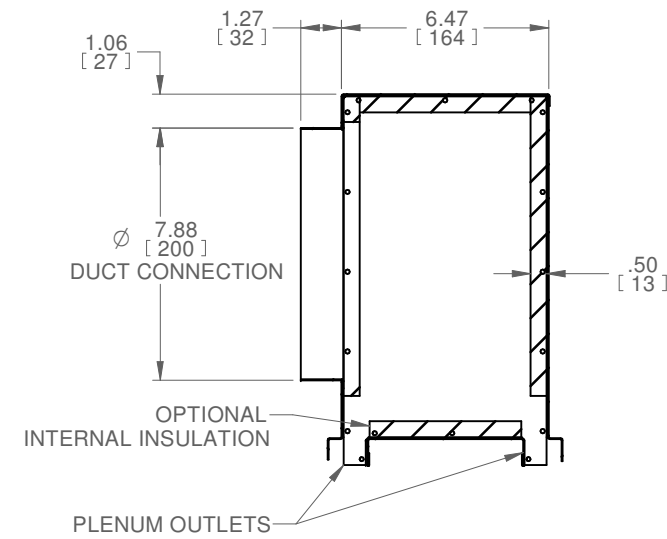
TOP VIEW



ISOMETRIC VIEW



FRONT VIEW



SECTION B-B

CONSTRUCTION:

- PLENUM
 - o COATED STEEL SHEET
 - o ALTERNATIVE: ALUMINUM SHEET

FINISH:

- ALL HARDWARE: MILL FINISH UNLESS OTHERWISE SPECIFIED

ASSEMBLY AND INSTALLATION

- ALL COMPONENTS SHOWN ARE FACTORY ASSEMBLED BY PARC UNLESS OTHERWISE NOTED
- ALL INSTALLATION BY OTHERS AND METHODS SHOWN ARE NOTIONAL
- (ASSY BY OTHERS): PROVIDED BY PARC, FIELD ASSEMBLED BY OTHERS
- (BY OTHERS): PROVIDED AND FIELD ASSEMBLED BY OTHERS

NOTES:

- DIMENSIONS SHOWN IN PARENTHESES ARE FOR REFERENCE ONLY (X.XX)
- METRIC DIMENSIONS SHOWN IN BRACKETS [X.XX]
- PRODUCT FINISH MAY VARY IN TONE, GLOSS AND TEXTURE; VARIATIONS ARE WITHIN PARC QUALITY STANDARDS
- TBC: DETAILS TO BE CONFIRMED

REV	DATE	DRAWN BY	CHECKED BY
C	2021-10-15	AS	JAC
B	2021-06-11	NPT	KVR
A	2020-07-20	NPT	MLH

ALL DIMENSIONS IN INCHES UNLESS OTHERWISE SPECIFIED

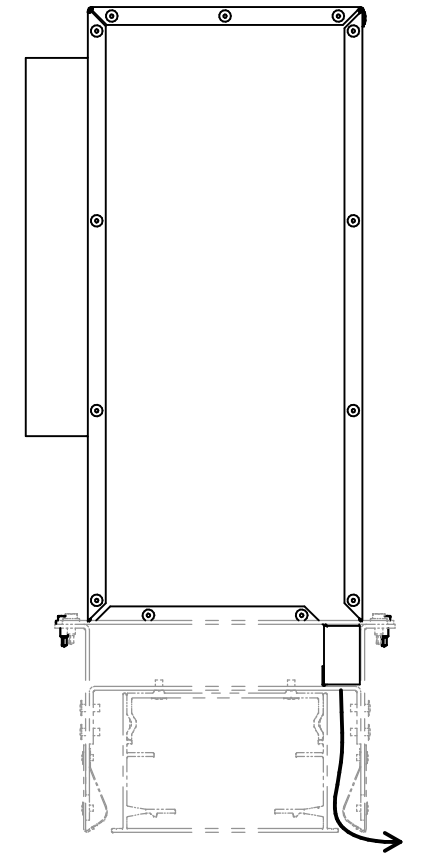
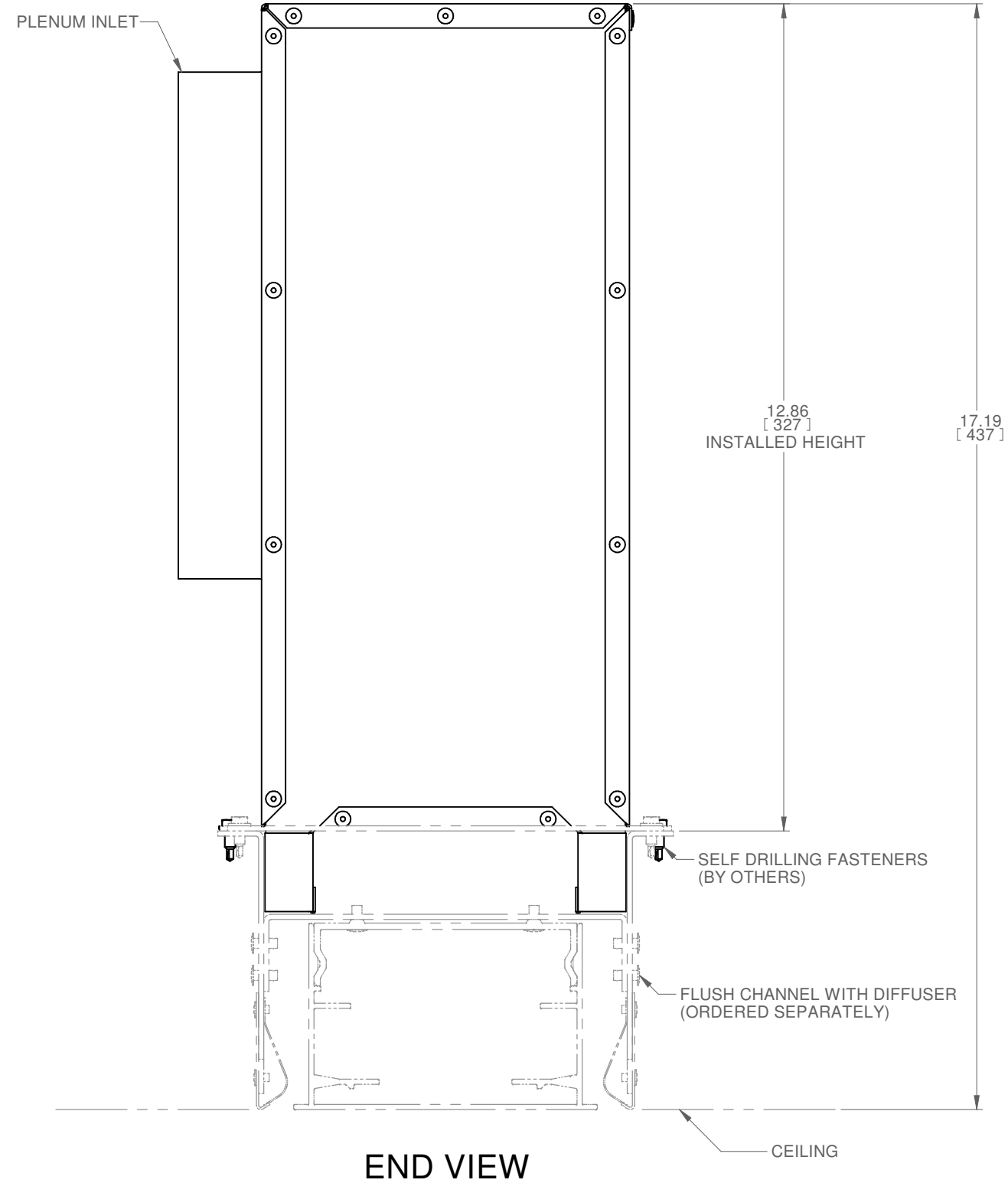
TOLERANCES UNLESS OTHERWISE SPECIFIED			
LINEAR	X.X ± .06	X.XX ± .03	X.XXX ± .01
ANGULAR	X ± 1	X.X ± .5	X.XX ± .25

PROJECT

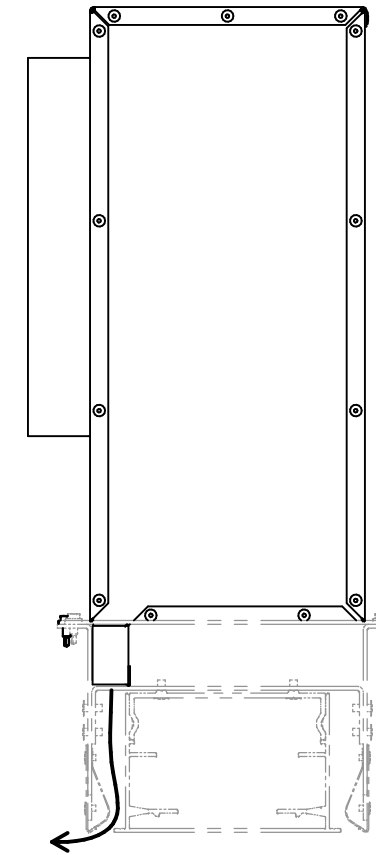
DRAWING TITLE
NODE CHANNEL PLENUM

SUBMITTAL NUMBER	272380	SHEET 2 OF 4	SIZE B
------------------	---------------	--------------	---------------

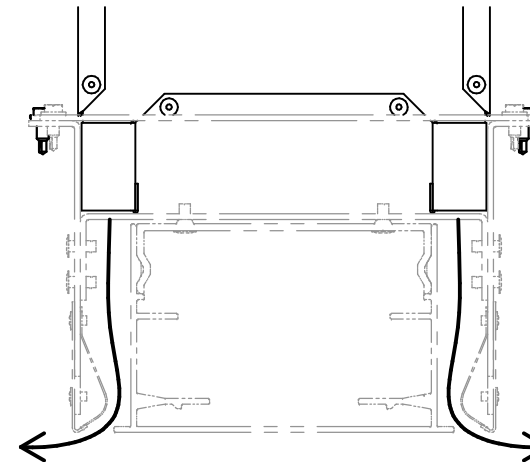
CHANNEL INTEGRATION - FLUSH CHANNEL WITH DIFFUSER



HORIZONTAL FLOW
AWAY FROM INLET



HORIZONTAL FLOW
TOWARDS INLET



OPPOSED HORIZONTAL FLOW

CONSTRUCTION:

- PLENUM
 - o COATED STEEL SHEET
 - o ALTERNATIVE: ALUMINUM SHEET

FINISH:

- ALL HARDWARE: MILL FINISH UNLESS OTHERWISE SPECIFIED

ASSEMBLY AND INSTALLATION

- ALL COMPONENTS SHOWN ARE FACTORY ASSEMBLED BY PARC UNLESS OTHERWISE NOTED
- ALL INSTALLATION BY OTHERS AND METHODS SHOWN ARE NOTIONAL
- (ASSY BY OTHERS): PROVIDED BY PARC, FIELD ASSEMBLED BY OTHERS
- (BY OTHERS): PROVIDED AND FIELD ASSEMBLED BY OTHERS

NOTES:

- DIMENSIONS SHOWN IN PARENTHESES ARE FOR REFERENCE ONLY (X.XX)
- METRIC DIMENSIONS SHOWN IN BRACKETS [X.XX]
- PRODUCT FINISH MAY VARY IN TONE, GLOSS AND TEXTURE; VARIATIONS ARE WITHIN PARC QUALITY STANDARDS
- TBC: DETAILS TO BE CONFIRMED

REV	DATE	DRAWN BY	CHECKED BY
C	2021-10-15	AS	JAC
B	2021-06-11	NPT	KVR
A	2020-07-20	NPT	MLH

ALL DIMENSIONS IN INCHES UNLESS OTHERWISE SPECIFIED

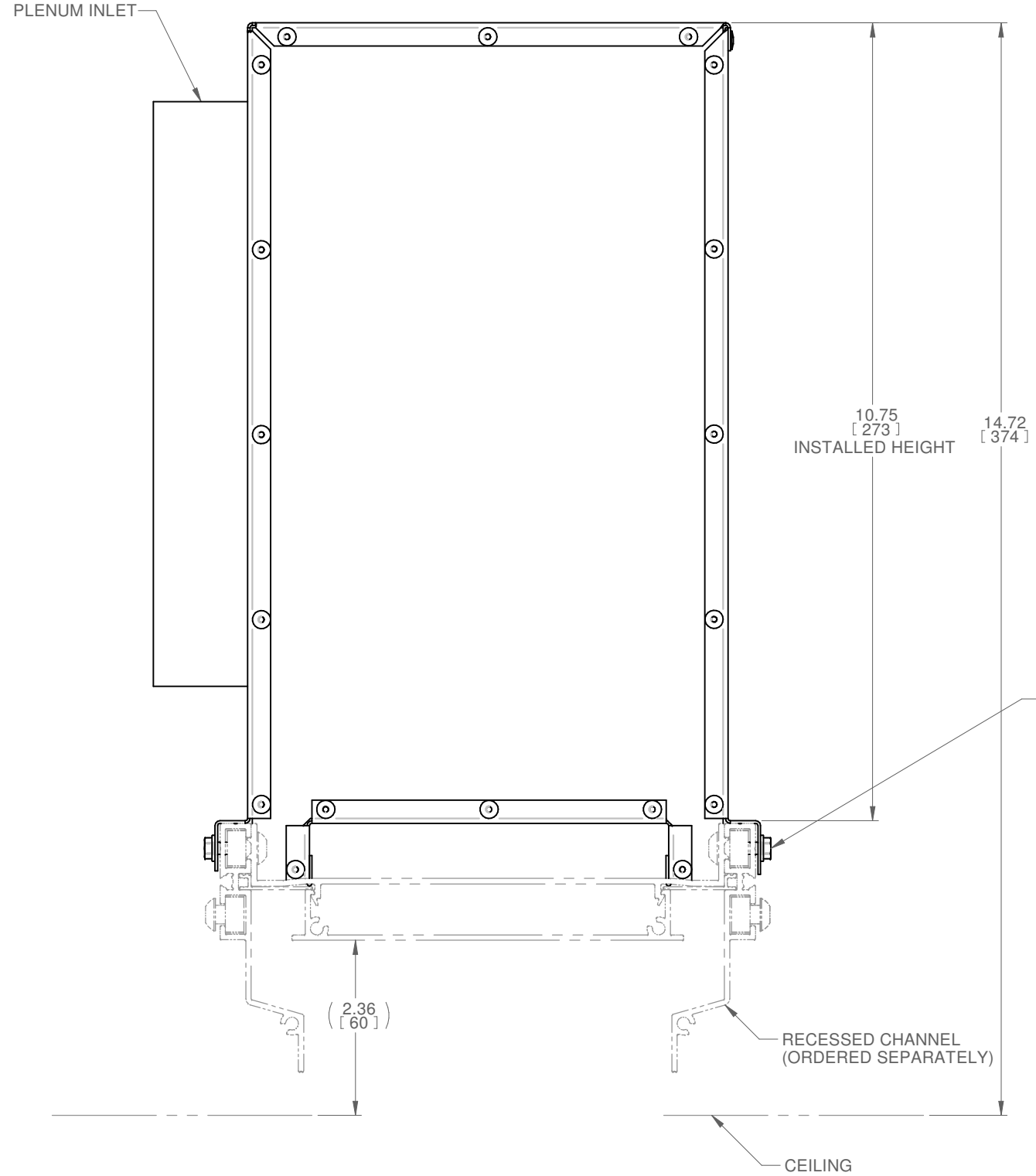
TOLERANCES UNLESS OTHERWISE SPECIFIED			
LINEAR	X.X ± .06	X.XX ± .03	X.XXX ± .01 INCHES
ANGULAR	X ± 1	X.X ± .5	X.XX ± .25 DEGREES

PROJECT

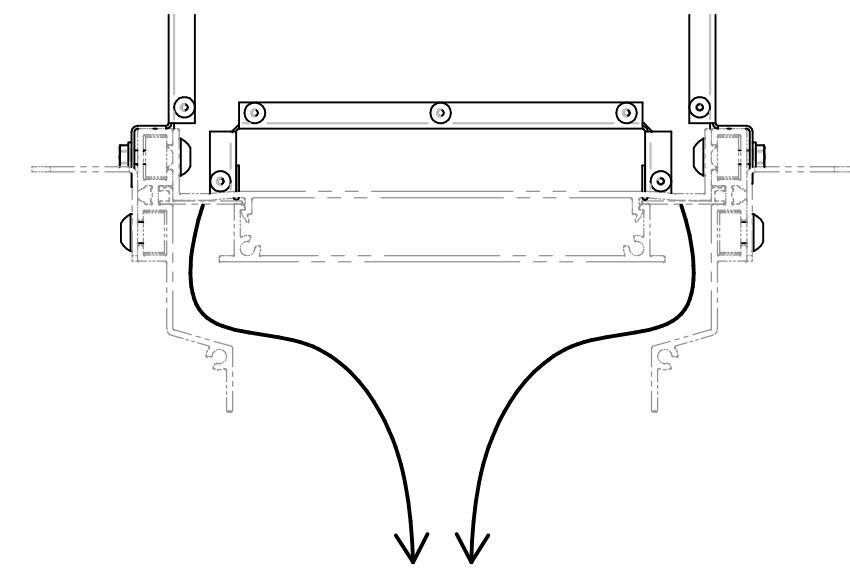
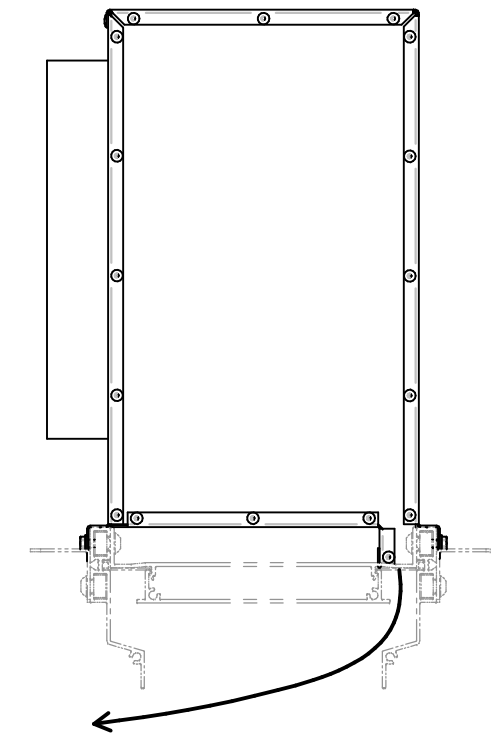
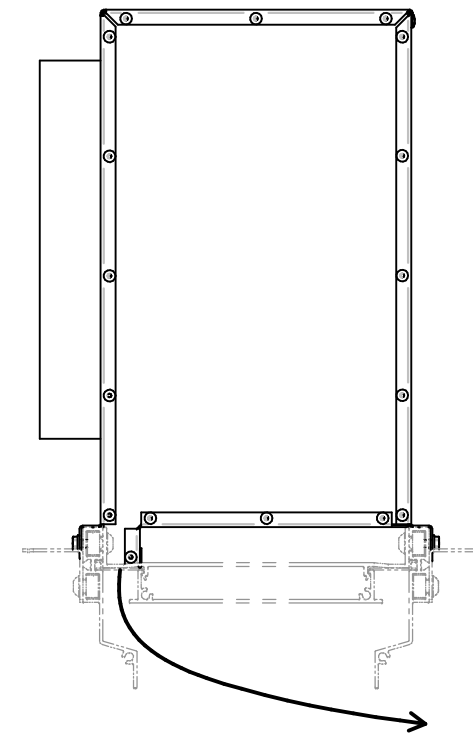
DRAWING TITLE
NODE CHANNEL PLENUM

SUBMITTAL NUMBER	272380	SHEET 3 OF 4	SIZE B
------------------	---------------	--------------	---------------

CHANNEL INTEGRATION - RECESSED CHANNEL



END VIEW



- CONSTRUCTION:**
- PLENUM
 - o COATED STEEL SHEET
 - o ALTERNATIVE: ALUMINUM SHEET
- FINISH:**
- ALL HARDWARE: MILL FINISH UNLESS OTHERWISE SPECIFIED
- ASSEMBLY AND INSTALLATION**
- ALL COMPONENTS SHOWN ARE FACTORY ASSEMBLED BY PARC UNLESS OTHERWISE NOTED
 - ALL INSTALLATION BY OTHERS AND METHODS SHOWN ARE NOTIONAL
 - (ASSY BY OTHERS): PROVIDED BY PARC, FIELD ASSEMBLED BY OTHERS
 - (BY OTHERS): PROVIDED AND FIELD ASSEMBLED BY OTHERS
- NOTES:**
- DIMENSIONS SHOWN IN PARENTHESES ARE FOR REFERENCE ONLY (X.XX)
 - METRIC DIMENSIONS SHOWN IN BRACKETS [X.XX]
 - PRODUCT FINISH MAY VARY IN TONE, GLOSS AND TEXTURE; VARIATIONS ARE WITHIN PARC QUALITY STANDARDS
 - TBC: DETAILS TO BE CONFIRMED

REV	DATE	DRAWN BY	CHECKED BY
C	2021-10-15	AS	JAC
B	2021-06-11	NPT	KVR
A	2020-07-20	NPT	MLH

ALL DIMENSIONS IN INCHES UNLESS OTHERWISE SPECIFIED

TOLERANCES UNLESS OTHERWISE SPECIFIED				
LINEAR	X.X ± .06	X.XX ± .03	X.XXX ± .01	INCHES
ANGULAR	X ± 1	X.X ± .5	X.XX ± .25	DEGREES

PROJECT

DRAWING TITLE
NODE CHANNEL PLENUM

SUBMITTAL NUMBER	272380	SHEET 4 OF 4	SIZE B
------------------	---------------	--------------	--------