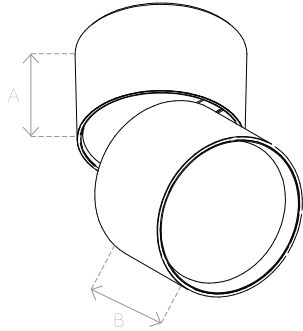


Spotlight

The Spotlight enables precise, target-oriented illumination. The 90° hinged base combined with a full 360° rotation allows for a high degree of flexibility in orientation. There are options for narrow, medium and wide beam angles. The light can be used in a variety of applications including offices, hospitality or lobby spaces. Used in combination with the Node Multisensor, these lights are capable of dimming in response to daylight, space use, wall switch or network command.



Product Features

- Dimmable from 0%, 5-100%
- Easy to install
- Easy to maintain
- Instant full light
- EEL Rating: A+
- L70 Lumen Maintenance: 50,000 hours

Specifications

Mounting Style	Diameter	Dimension A	Dimension B	Weight
Recessed Channel Mount (K2)	90 mm/3.54 in.	58 mm/2.28 in.	67 mm/2.64 in.	516 g/1.16 lb
Trimless (K2)	90 mm/3.54 in.	40 mm/1.58 in.	67 mm/2.64 in.	509 g/1.12 lb
Surface Mount (K2)	90 mm/3.54 in.	40 mm/1.58 in.	67 mm/2.64 in.	509 g/1.12 lb
Flush Channel Mount (K2)	90 mm/3.54 in.	58 mm/2.28 in.*	67 mm/2.64 in.	516 g/1.14 lb

*58mm will be above ceiling plane.

Adjustability

- 360° rotation, 90° angle

Lamp Specifications

- Type: LED
- CRI: 90
- SDCM: 2
- Colour Temperature/CCT: 3000K, 3500K or 4000K

Certification

- CE (Europe)
- ETL (USA)
- CSA (Canada)

Construction

- Aluminum housing material

Energy Consumption

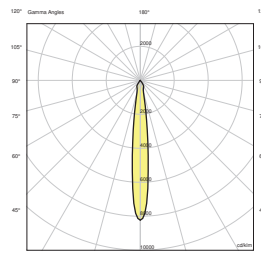
- 20.90 kWh/1000h

Drivers Available (Sold Separately)

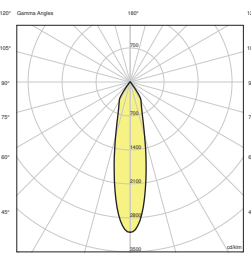
- DALI (Europe-only)
- eldoLED SOLOdrive-365 (DALI-2 protocol)
- eldoLED SOLOdrive-366 (0-10V protocol)

Polar Curves

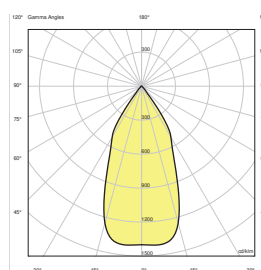
Narrow



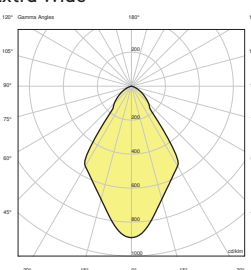
Medium



Wide



Extra Wide **



** White reflector used for extra wide model; metal reflector used for all other models

CCT 4000K

Beam Width	Luminaire Power	Maximum Current	Nominal Voltage	Delivered Lumens	Source Lumens	Efficacy
Narrow (°13)	19.0 W	550 mA	36 V	2362 lm	2592 lm	124 lm/W
Medium (°24)	19.0 W	550 mA	36 V	2373 lm	2592 lm	125 lm/W
Wide (°48)	19.0 W	550 mA	36 V	2203 lm	2592 lm	116 lm/W
Extra Wide (°68)	19.0 W	550 mA	36 V	2066 lm	2609 lm	109 lm/W

CCT 3500K

Beam Width	Luminaire Power	Maximum Current	Nominal Voltage	Delivered Lumens	Source Lumens	Efficacy
Narrow (°13)	19.0 W	550 mA	36 V	2198 lm	2412 lm	116 lm/W
Medium (°24)	19.0 W	550 mA	36 V	2208 lm	2412 lm	116 lm/W
Wide (°48)	19.0 W	550 mA	36 V	2050 lm	2412 lm	108 lm/W
Extra Wide (°67)	19.0 W	550 mA	36 V	1923 lm	2428 lm	101 lm/W

CCT 3000K

Beam Width	Luminaire Power	Maximum Current	Nominal Voltage	Delivered Lumens	Source Lumens	Efficacy
Narrow (°13)	19.0 W	550 mA	36 V	2053 lm	2253 lm	108 W/lm
Medium (°24)	19.0 W	550 mA	36 V	2062 lm	2253 lm	109 W/lm
Wide (°48)	19.0 W	550 mA	36 V	1915 lm	2253 lm	101 W/lm
Extra Wide (°67)	19.0 W	550 mA	36 V	1784 lm	2253 lm	94 W/lm