

# SUBMITTAL

## GENERAL CONSTRUCTION - NODE SPOTLIGHT

### PROJECT CHECKLIST

TAG: \_\_\_\_\_

QUANTITY: \_\_\_\_\_

### BEAM ANGLE:

- 13° - NARROW
- 24° - MEDIUM
- 48° - WIDE
- 67° - EXTRA WIDE

### COLOUR TEMPERATURE:

- 3000K
- 3500K
- 4000K

### MOUNTING:

- FLUSH CHANNEL
- RECESSED CHANNEL
- TRIMLESS
- SURFACE MOUNT

### MOUNTING ADAPTER:

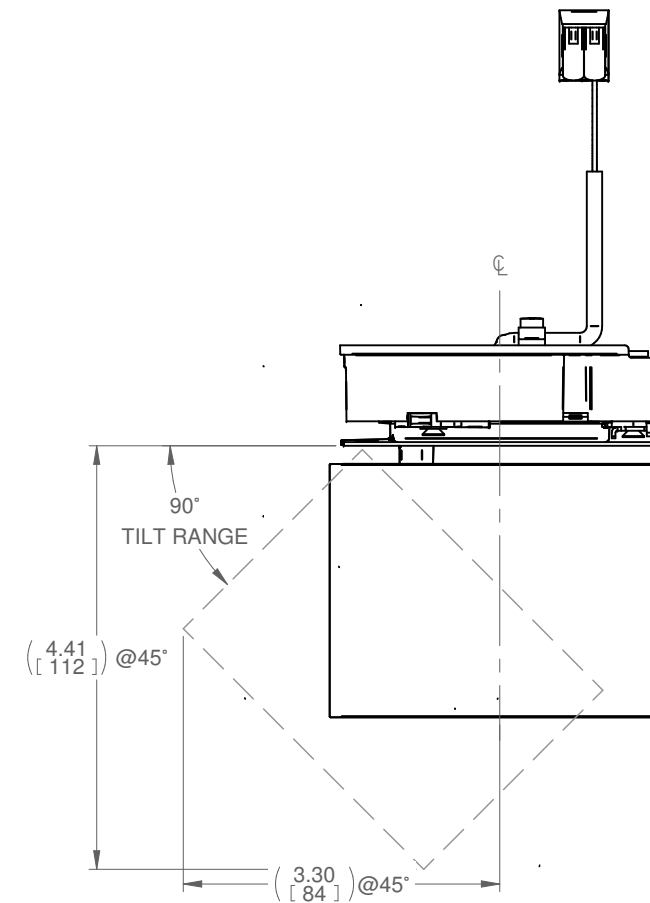
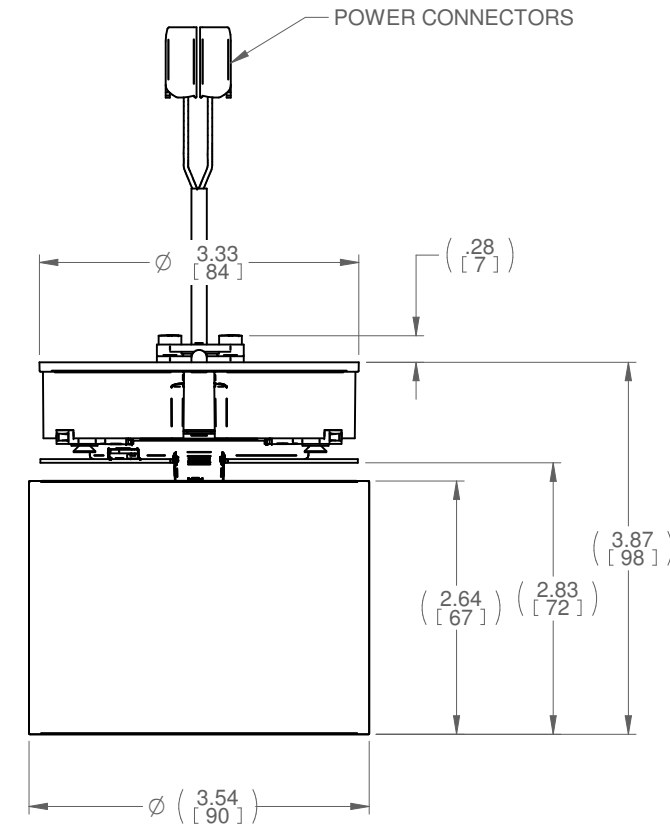
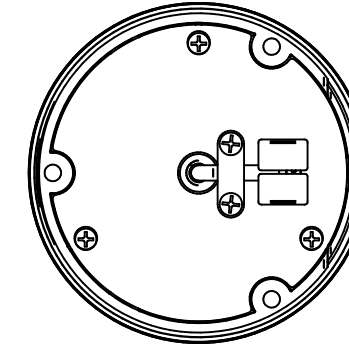
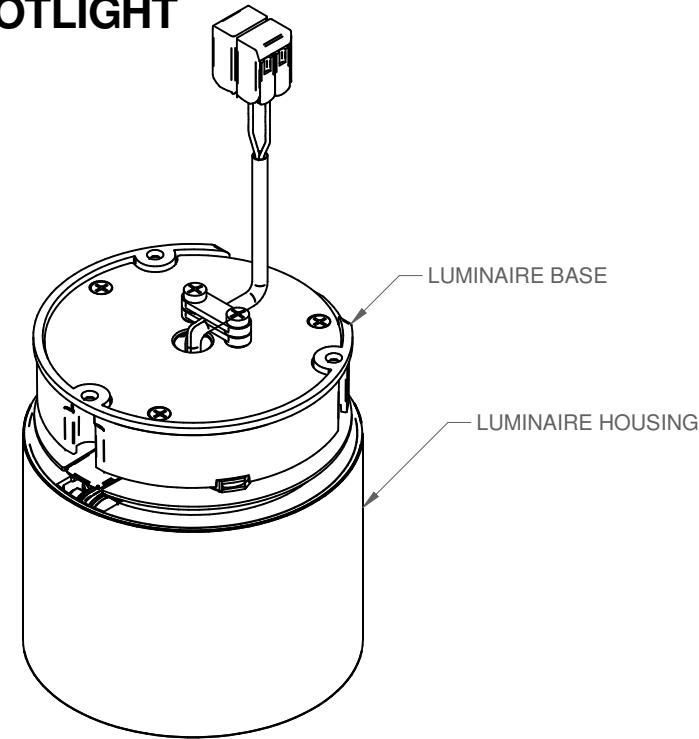
- NOT REQUIRED
- 4IN ROUND/OCT DEVICE BOX
- 20MM CONDUIT JUNCTION BOX

### HOUSING COLOR:

- BLACK POLYMER - B17
- WHITE POLYMER - RAL 9016

### FINISH:

- BLACK - B17
- WHITE - RAL 9016



**PARC**  
A Price Company  
WEBSITE: WWW.PARC-CEILINGS.COM

### CONSTRUCTION:

- LUMINAIRE HOUSING
  - o CAST ALUMINUM
- LUMINAIRE BASE
  - o MOULDED POLYMER

### FINISH:

- ALL HARDWARE: MILL FINISH UNLESS OTHERWISE SPECIFIED

### ELECTRICAL SERVICE

- BY OTHERS, SEE PRODUCT DATASHEET FOR DETAILS

### ASSEMBLY AND INSTALLATION

- ALL COMPONENTS SHOWN ARE FACTORY ASSEMBLED BY PARC UNLESS OTHERWISE NOTED
- ALL INSTALLATION BY OTHERS AND METHODS SHOWN ARE NOTIONAL
- (ASSY BY OTHERS): PROVIDED BY PARC, FIELD ASSEMBLED BY OTHERS
- (BY OTHERS): PROVIDED AND FIELD ASSEMBLED BY OTHERS

### NOTES:

- DIMENSIONS SHOWN IN PARENTHESES ARE FOR REFERENCE ONLY (X.XX)
- METRIC DIMENSIONS SHOWN IN BRACKETS [X.XX]
- PRODUCT FINISH MAY VARY IN TONE, GLOSS AND TEXTURE; VARIATIONS ARE WITHIN PARC QUALITY STANDARDS
- TBC: DETAILS TO BE CONFIRMED
- LISTED CAN/CSA-C22.2 NO. 250.0 & UL 2108



REV	DATE	DRAWN BY	CHECKED BY
B	2021-09-14	NLD	JAC
A	2020-06-16	NPT	SMB

ALL DIMENSIONS IN INCHES UNLESS OTHERWISE SPECIFIED

TOLERANCES UNLESS OTHERWISE SPECIFIED	LINEAR	ANGULAR
	X.X ± .06	X ± 1
	X.XX ± .03	X.X ± .5
	X.XXX ± .01	X.XX ± .25
		DEGREES

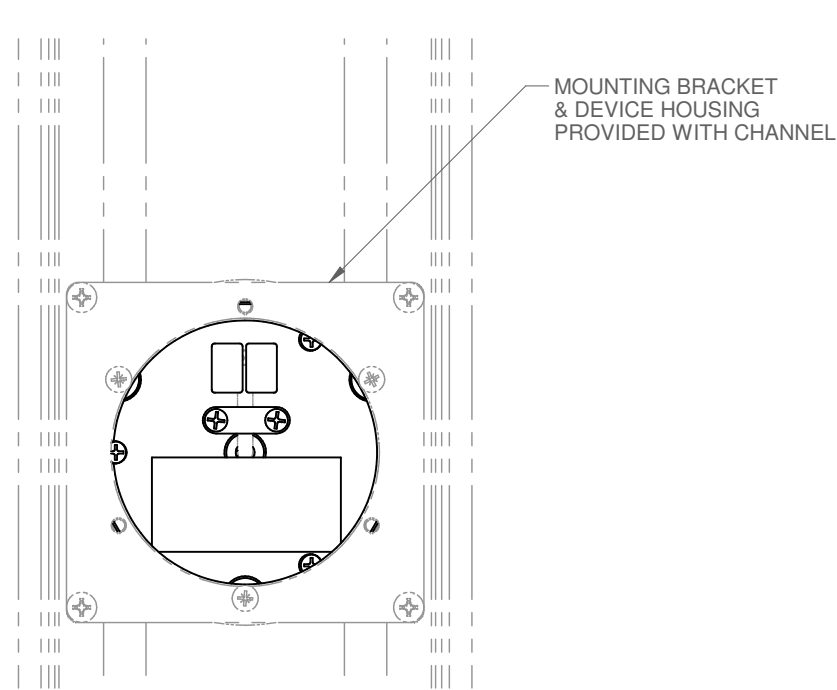
PROJECT

DRAWING TITLE  
**NODE K2 SPOTLIGHT SUBMITTAL**

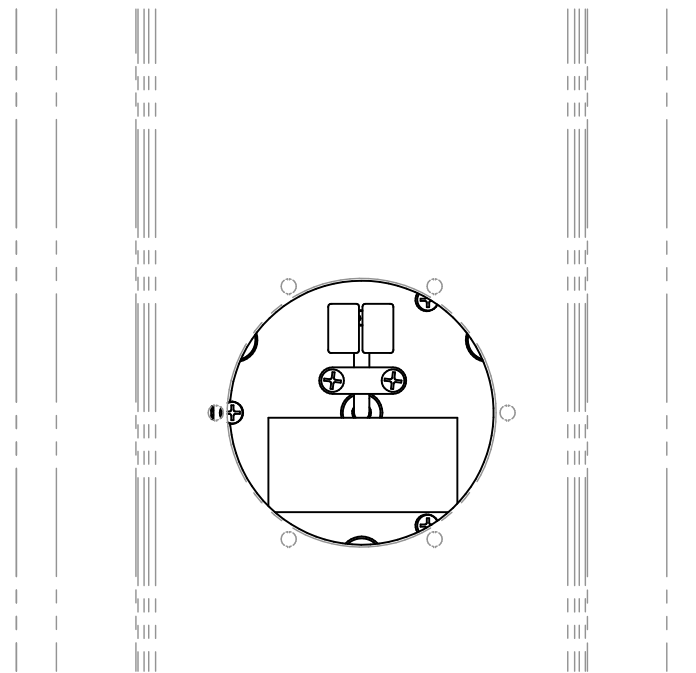
SUBMITTAL NUMBER	<b>272419</b>	SHEET 1 OF 5	SIZE B
------------------	---------------	--------------	--------

© COPYRIGHT PRICE INDUSTRIES 2020

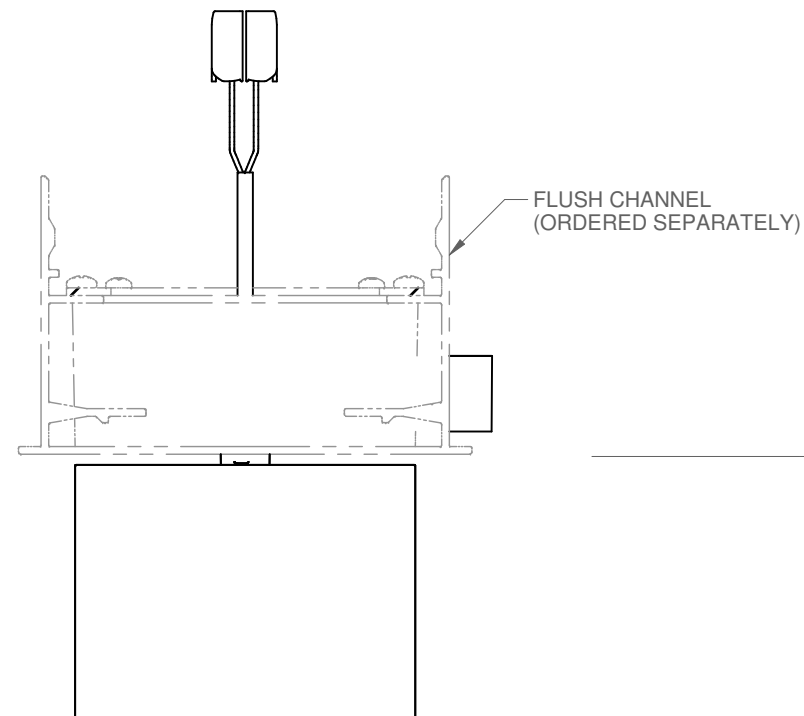
**GENERAL CONSTRUCTION - CHANNEL MOUNTED**



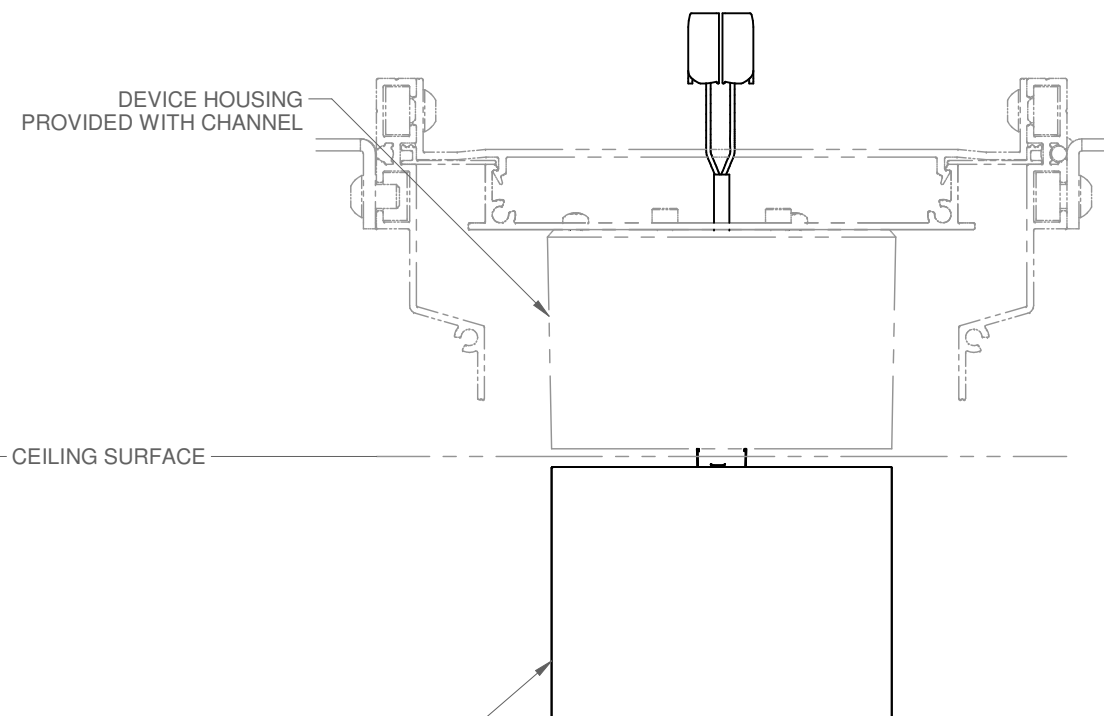
**TOP VIEW**  
FLUSH CHANNEL



**TOP VIEW**  
RECESSED CHANNEL



**END VIEW**  
FLUSH CHANNEL



**END VIEW**  
RECESSED CHANNEL

**CONSTRUCTION:**

- LUMINAIRE HOUSING
  - o CAST ALUMINUM
  - o LUMINAIRE BASE
  - o MOULDED POLYMER

**FINISH:**

- ALL HARDWARE: MILL FINISH UNLESS OTHERWISE SPECIFIED

**ELECTRICAL SERVICE**

- BY OTHERS, SEE PRODUCT DATASHEET FOR DETAILS

**ASSEMBLY AND INSTALLATION**

- ALL COMPONENTS SHOWN ARE FACTORY ASSEMBLED BY PARC UNLESS OTHERWISE NOTED
- ALL INSTALLATION BY OTHERS AND METHODS SHOWN ARE NOTIONAL
- (ASSY BY OTHERS): PROVIDED BY PARC, FIELD ASSEMBLED BY OTHERS
- (BY OTHERS): PROVIDED AND FIELD ASSEMBLED BY OTHERS

**NOTES:**

- DIMENSIONS SHOWN IN PARENTHESES ARE FOR REFERENCE ONLY (X.XX)
- METRIC DIMENSIONS SHOWN IN BRACKETS [X.XX]
- PRODUCT FINISH MAY VARY IN TONE, GLOSS AND TEXTURE; VARIATIONS ARE WITHIN PARC QUALITY STANDARDS
- TBC: DETAILS TO BE CONFIRMED
- LISTED CAN/CSA-C22.2 NO. 250.0 & UL 2108



REV	DATE	DRAWN BY	CHECKED BY
B	2021-09-14	NLD	JAC
A	2020-06-16	NPT	SMB

ALL DIMENSIONS IN INCHES UNLESS OTHERWISE SPECIFIED

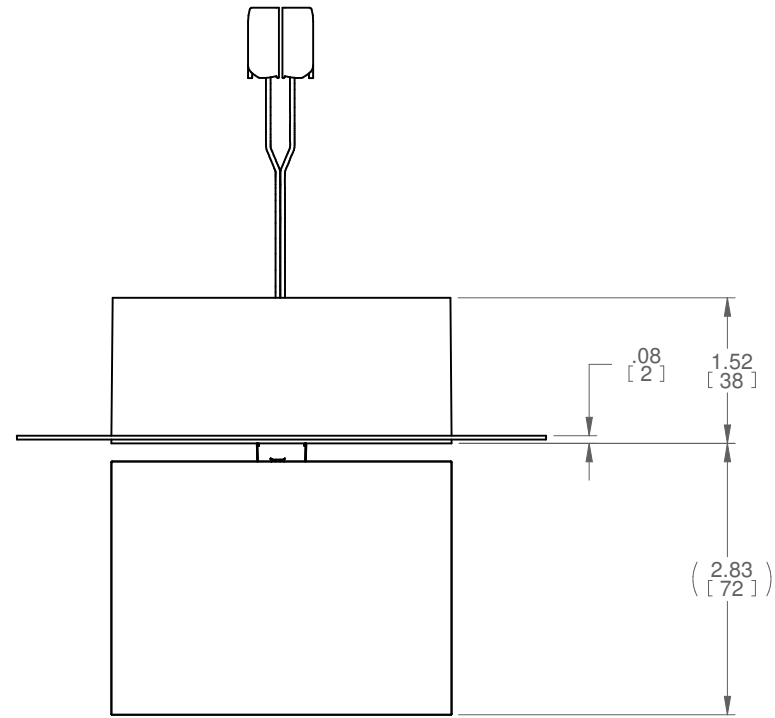
TOLERANCES UNLESS OTHERWISE SPECIFIED			
LINEAR	X.X ± .06	X.XX ± .03	X.XXX ± .01 INCHES
ANGULAR	X ± 1	X.X ± .5	X.XX ± .25 DEGREES

PROJECT

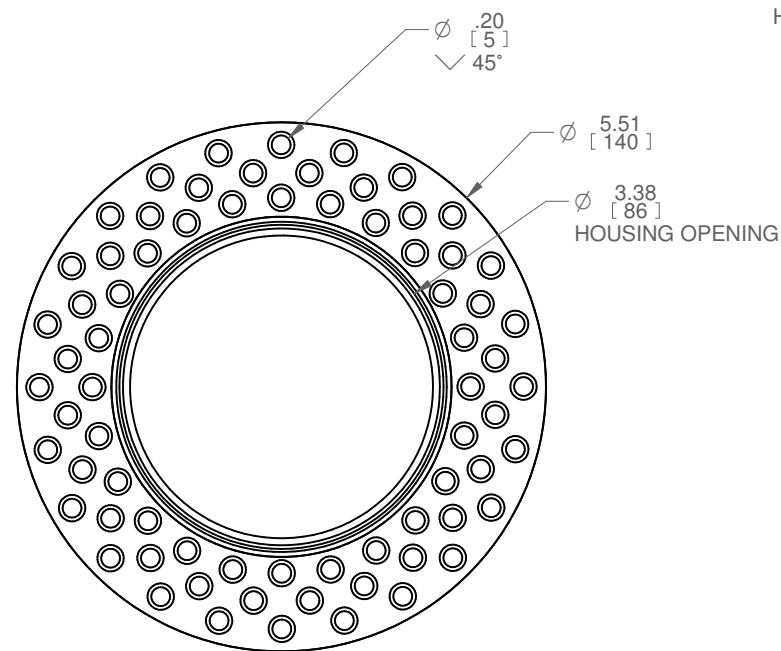
DRAWING TITLE  
**NODE K2 SPOTLIGHT SUBMITTAL**

SUBMITTAL NUMBER	<b>272419</b>	SHEET 2 OF 5	SIZE <b>B</b>
------------------	---------------	--------------	---------------

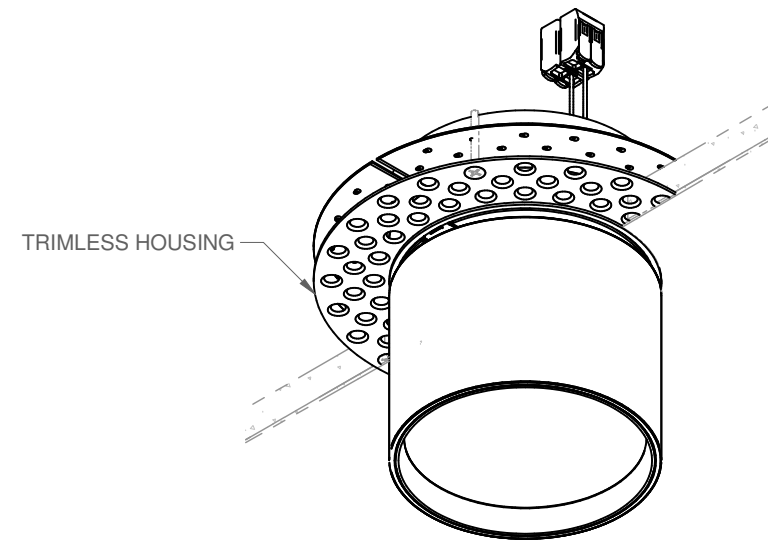
**GENERAL CONSTRUCTION - TRIMLESS**



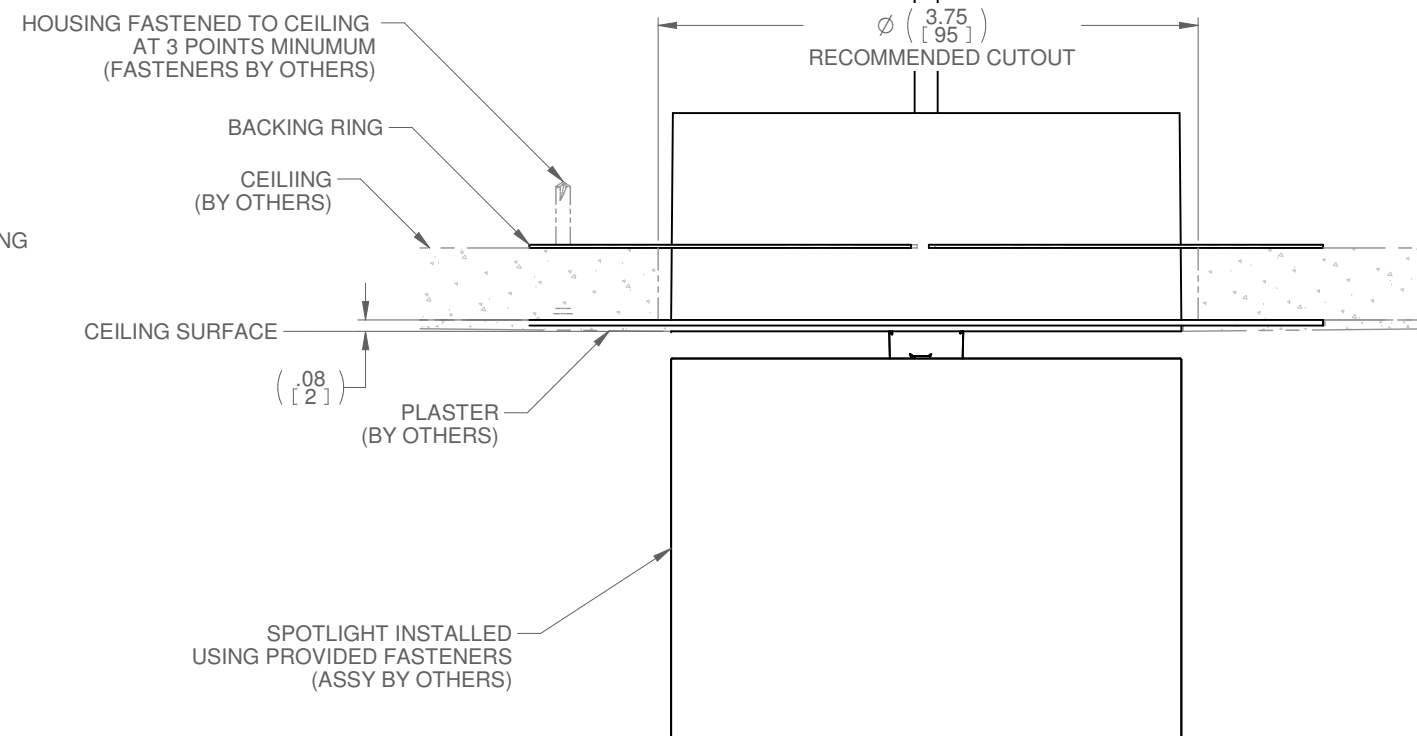
**FRONT VIEW**  
TRIMLESS



**BOTTOM VIEW**  
TRIMLESS



**ISOMETRIC VIEW**  
TRIMLESS



**CEILING CROSS SECTION**  
TRIMLESS

**CONSTRUCTION:**

- LUMINAIRE HOUSING
  - o CAST ALUMINUM
- LUMINAIRE BASE
  - o MOULDED POLYMER

**FINISH:**

- ALL HARDWARE: MILL FINISH UNLESS OTHERWISE SPECIFIED

**ELECTRICAL SERVICE**

- BY OTHERS, SEE PRODUCT DATASHEET FOR DETAILS

**ASSEMBLY AND INSTALLATION**

- ALL COMPONENTS SHOWN ARE FACTORY ASSEMBLED BY PARC UNLESS OTHERWISE NOTED
- ALL INSTALLATION BY OTHERS AND METHODS SHOWN ARE NOTIONAL
- (ASSY BY OTHERS): PROVIDED BY PARC, FIELD ASSEMBLED BY OTHERS
- (BY OTHERS): PROVIDED AND FIELD ASSEMBLED BY OTHERS

**NOTES:**

- DIMENSIONS SHOWN IN PARENTHESES ARE FOR REFERENCE ONLY (X.XX)
- METRIC DIMENSIONS SHOWN IN BRACKETS [X.XX]
- PRODUCT FINISH MAY VARY IN TONE, GLOSS AND TEXTURE; VARIATIONS ARE WITHIN PARC QUALITY STANDARDS
- TBC: DETAILS TO BE CONFIRMED
- LISTED CAN/CSA-C22.2 NO. 250.0 & UL 2108



REV	DATE	DRAWN BY	CHECKED BY
B	2021-09-14	NLD	JAC
A	2020-06-16	NPT	SMB

ALL DIMENSIONS IN INCHES UNLESS OTHERWISE SPECIFIED

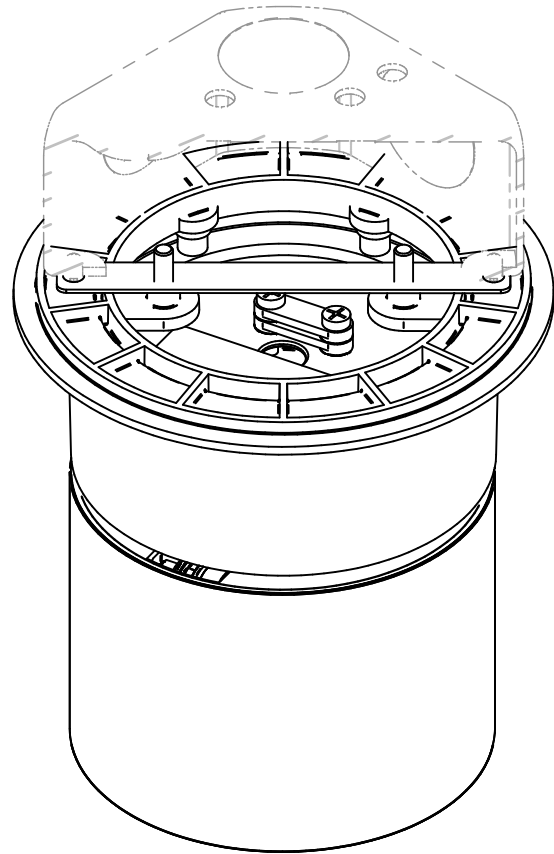
TOLERANCES UNLESS OTHERWISE SPECIFIED			
LINEAR	X.X ± .06	X.XX ± .03	X.XXX ± .01 INCHES
ANGULAR	X ± 1	X.X ± .5	X.XX ± .25 DEGREES

PROJECT

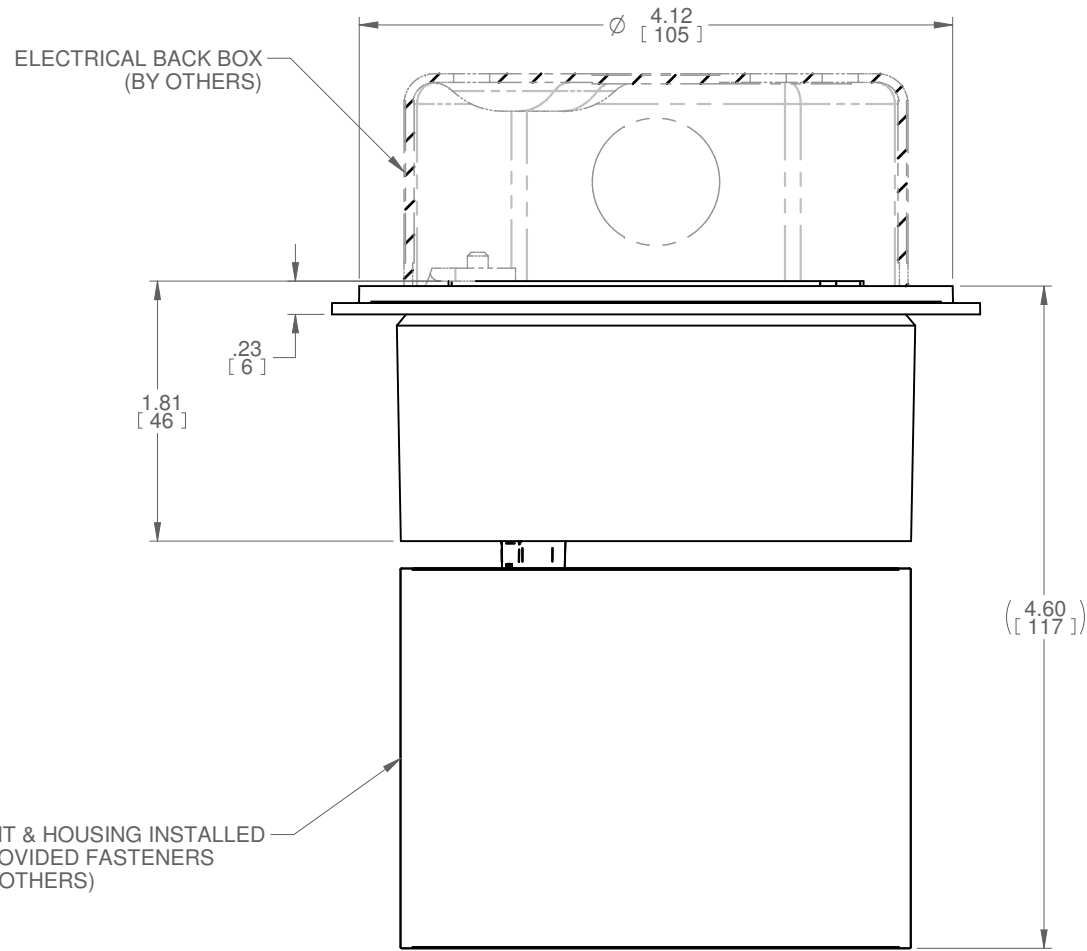
DRAWING TITLE  
**NODE K2 SPOTLIGHT SUBMITTAL**

SUBMITTAL NUMBER	<b>272419</b>	SHEET 3 OF 5	SIZE <b>B</b>
------------------	---------------	--------------	---------------

**GENERAL CONSTRUCTION - SURFACE MOUNT**

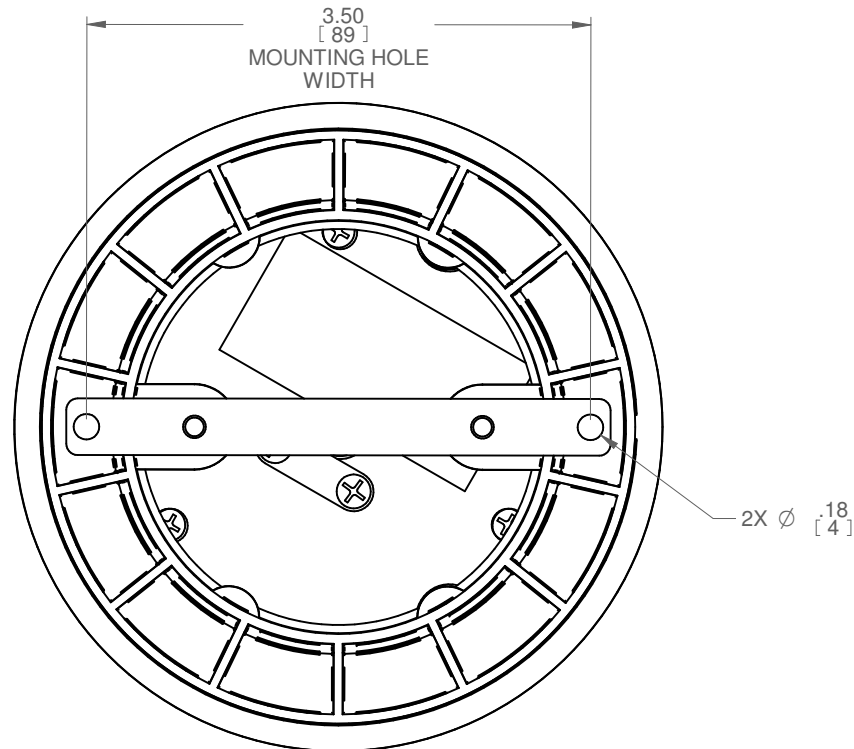


**SIDE VIEW**  
4IN ROUND/OCT BOX

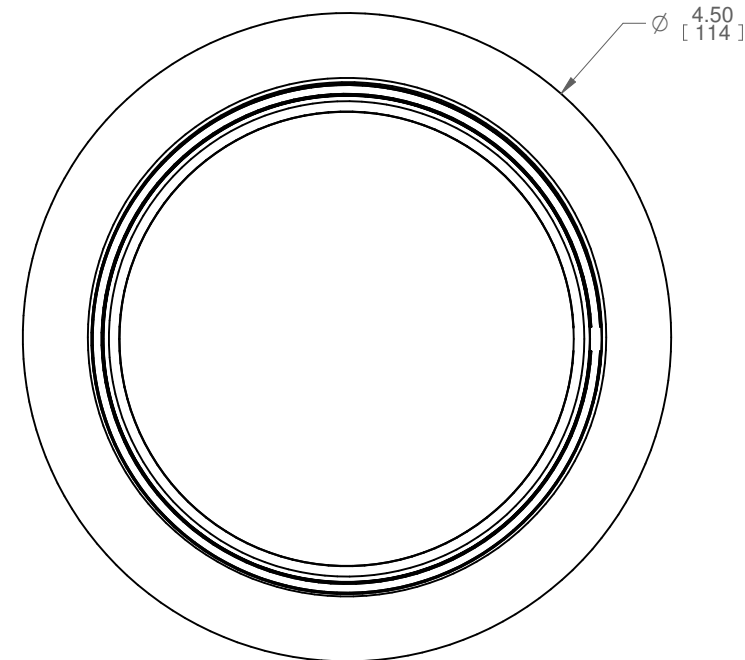


SPOTLIGHT & HOUSING INSTALLED  
USING PROVIDED FASTENERS  
(ASSY BY OTHERS)

**SIDE VIEW**  
4IN ROUND/OCT BOX



**TOP VIEW**  
4IN ROUND/OCT BOX



**BOTTOM VIEW**  
4IN ROUND/OCT BOX

**PARC**  
A Price Company  
WEBSITE: WWW.PARC-CEILINGS.COM

**CONSTRUCTION:**

- LUMINAIRE HOUSING
  - o CAST ALUMINUM
- LUMINAIRE BASE
  - o MOULDED POLYMER

**FINISH:**

- ALL HARDWARE: MILL FINISH UNLESS OTHERWISE SPECIFIED

**ELECTRICAL SERVICE**

- BY OTHERS, SEE PRODUCT DATASHEET FOR DETAILS

**ASSEMBLY AND INSTALLATION**

- ALL COMPONENTS SHOWN ARE FACTORY ASSEMBLED BY PARC UNLESS OTHERWISE NOTED
- ALL INSTALLATION BY OTHERS AND METHODS SHOWN ARE NOTIONAL
- (ASSY BY OTHERS): PROVIDED BY PARC, FIELD ASSEMBLED BY OTHERS
- (BY OTHERS): PROVIDED AND FIELD ASSEMBLED BY OTHERS

**NOTES:**

- DIMENSIONS SHOWN IN PARENTHESES ARE FOR REFERENCE ONLY (X.XX)
- METRIC DIMENSIONS SHOWN IN BRACKETS [X.XX]
- PRODUCT FINISH MAY VARY IN TONE, GLOSS AND TEXTURE; VARIATIONS ARE WITHIN PARC QUALITY STANDARDS
- TBC: DETAILS TO BE CONFIRMED
- LISTED CAN/CSA-C22.2 NO. 250.0 & UL 2108



REV	DATE	DRAWN BY	CHECKED BY
B	2021-09-14	NLD	JAC
A	2020-06-16	NPT	SMB

ALL DIMENSIONS IN INCHES UNLESS OTHERWISE SPECIFIED

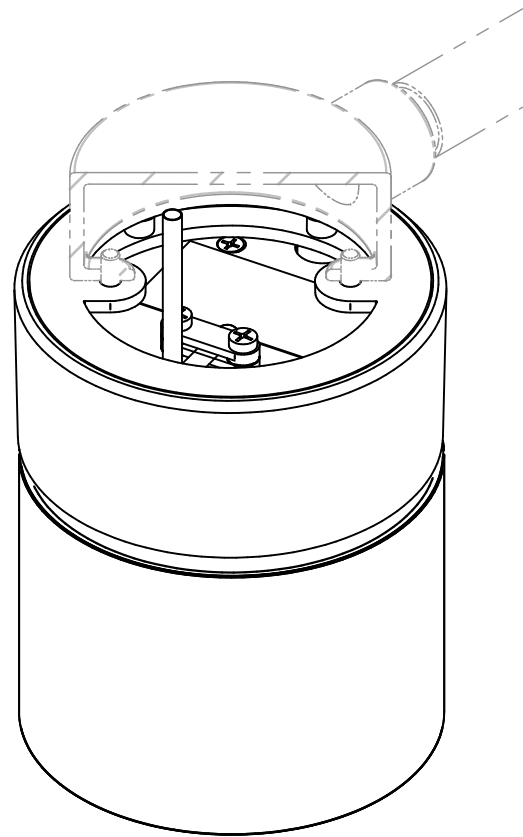
TOLERANCES UNLESS OTHERWISE SPECIFIED	LINEAR	ANGULAR
	X.X ± .06	X ± 1
	X.XX ± .03	X.X ± .5
	X.XXX ± .01	X.XX ± .25

PROJECT

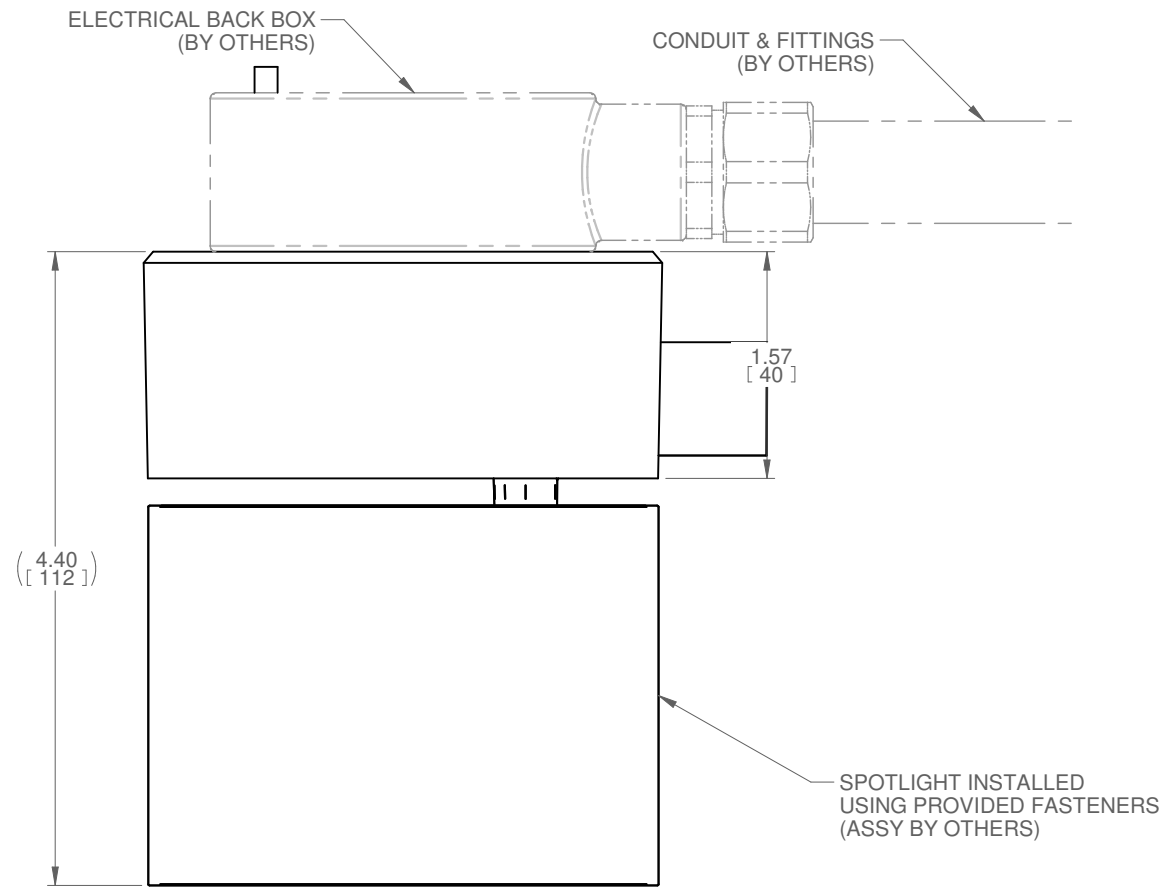
DRAWING TITLE  
**NODE K2 SPOTLIGHT SUBMITTAL**

SUBMITTAL NUMBER	272419	SHEET 4 OF 5	SIZE B
------------------	--------	--------------	--------

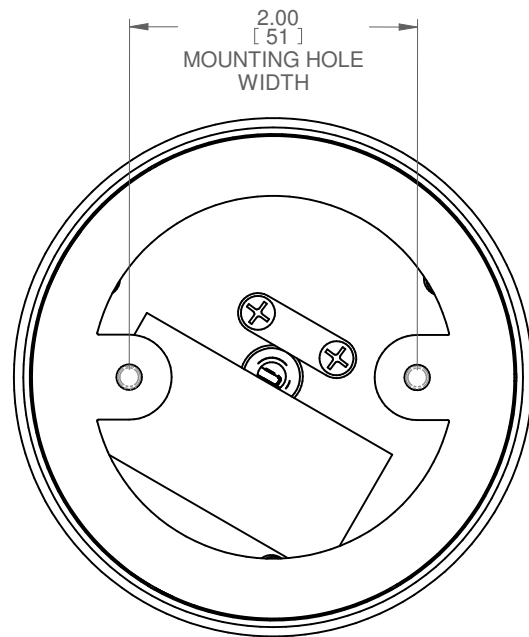
**GENERAL CONSTRUCTION - SURFACE MOUNT (CONTINUED)**



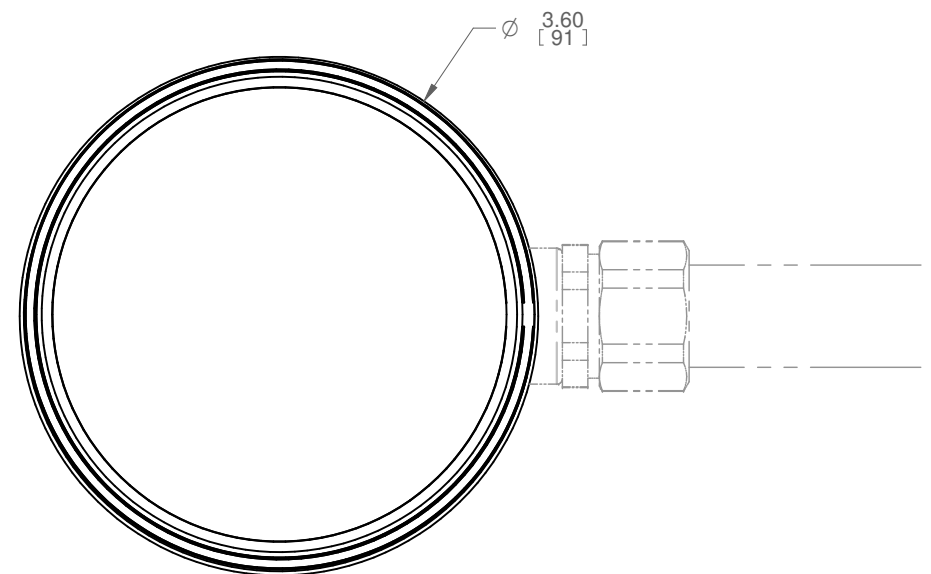
**ISOMETRIC VIEW**  
20MM CONDUIT JUNCTION BOX



**SIDE VIEW**  
20MM CONDUIT JUNCTION BOX



**TOP VIEW**  
20MM CONDUIT JUNCTION BOX



**BOTTOM VIEW**  
20MM CONDUIT JUNCTION BOX

**CONSTRUCTION:**

- LUMINAIRE HOUSING
  - o CAST ALUMINUM
- LUMINAIRE BASE
  - o MOULDED POLYMER

**FINISH:**

- ALL HARDWARE: MILL FINISH UNLESS OTHERWISE SPECIFIED

**ELECTRICAL SERVICE**

- BY OTHERS, SEE PRODUCT DATASHEET FOR DETAILS

**ASSEMBLY AND INSTALLATION**

- ALL COMPONENTS SHOWN ARE FACTORY ASSEMBLED BY PARC UNLESS OTHERWISE NOTED
- ALL INSTALLATION BY OTHERS AND METHODS SHOWN ARE NOTIONAL
- (ASSY BY OTHERS): PROVIDED BY PARC, FIELD ASSEMBLED BY OTHERS
- (BY OTHERS): PROVIDED AND FIELD ASSEMBLED BY OTHERS

**NOTES:**

- DIMENSIONS SHOWN IN PARENTHESES ARE FOR REFERENCE ONLY (X.XX)
- METRIC DIMENSIONS SHOWN IN BRACKETS [X.XX]
- PRODUCT FINISH MAY VARY IN TONE, GLOSS AND TEXTURE; VARIATIONS ARE WITHIN PARC QUALITY STANDARDS
- TBC: DETAILS TO BE CONFIRMED
- LISTED CAN/CSA-C22.2 NO. 250.0 & UL 2108



B	2021-09-14	NLD	JAC
A	2020-06-16	NPT	SMB
<b>REV</b>	<b>DATE</b>	<b>DRAWN BY</b>	<b>CHECKED BY</b>

ALL DIMENSIONS IN INCHES UNLESS OTHERWISE SPECIFIED

TOLERANCES UNLESS OTHERWISE SPECIFIED			
LINEAR	X.X ± .06	X.XX ± .03	X.XXX ± .01 INCHES
ANGULAR	X ± 1	X.X ± .5	X.XX ± .25 DEGREES

PROJECT

DRAWING TITLE  
**NODE K2 SPOTLIGHT SUBMITTAL**

SUBMITTAL NUMBER	<b>272419</b>	SHEET 5 OF 5	SIZE <b>B</b>
------------------	---------------	--------------	---------------