

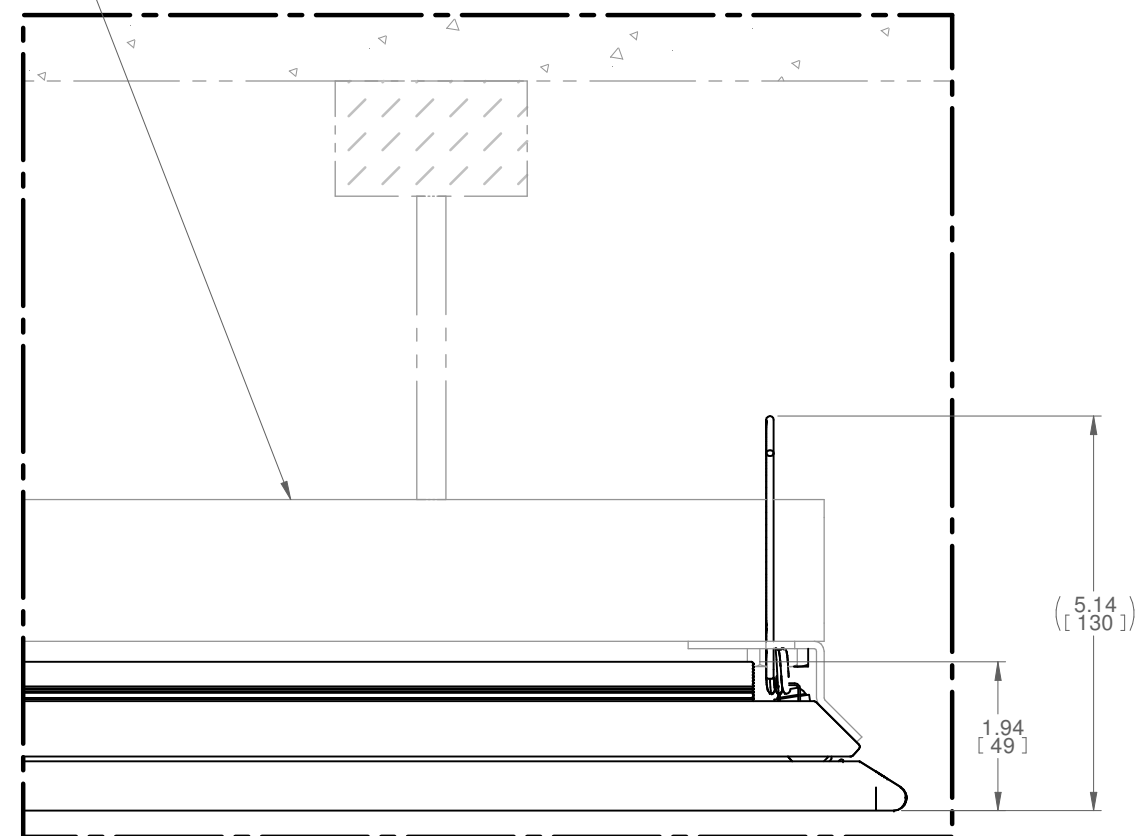
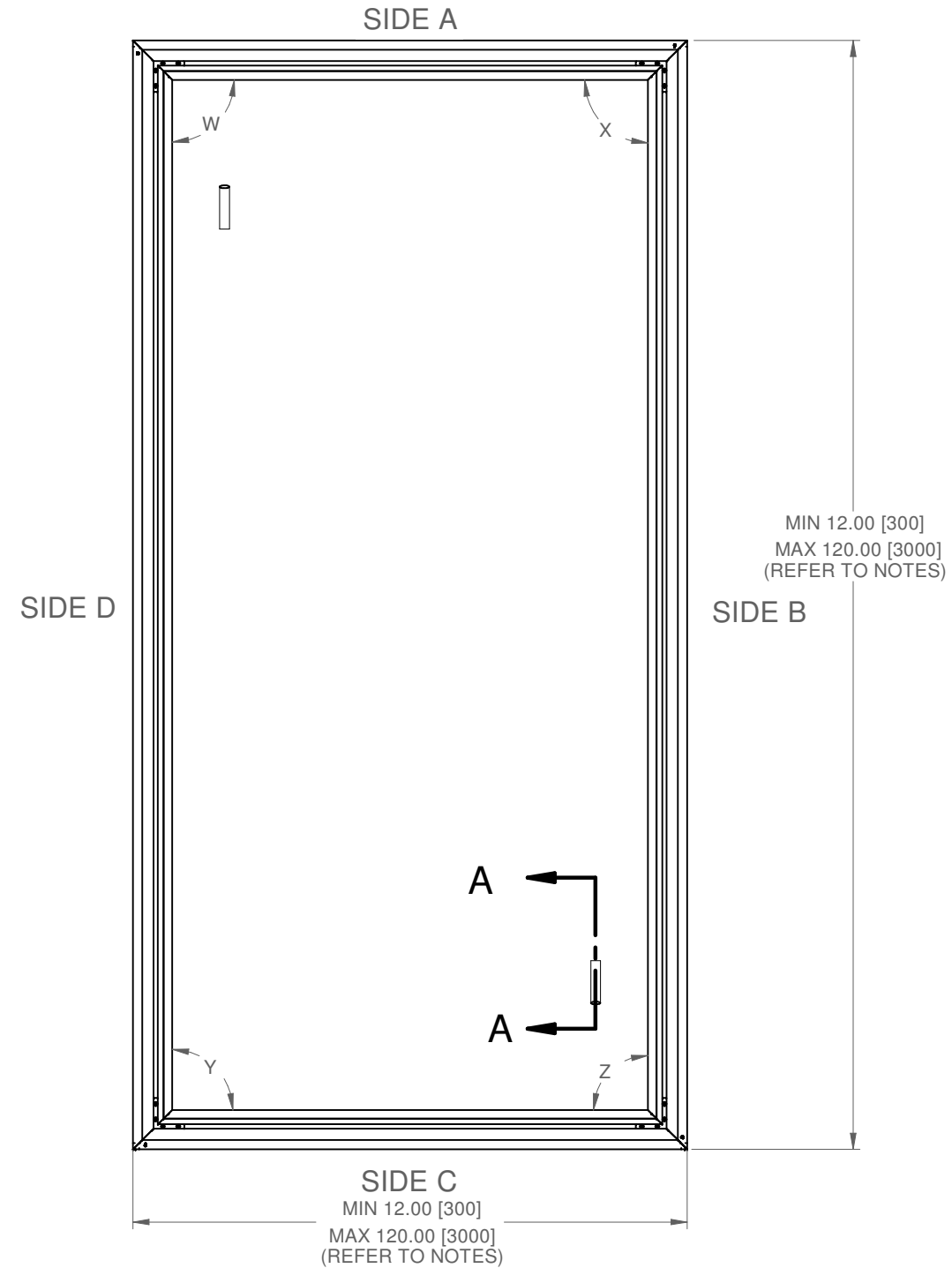
GENERAL CONSTRUCTION

FINISH:
- ALL HARDWARE: MILL FINISH UNLESS OTHERWISE SPECIFIED

MECHANICAL SERVICE
- ALLOWABLE OPERATING PRESSURE = 10.34 BAR (150 PSI)

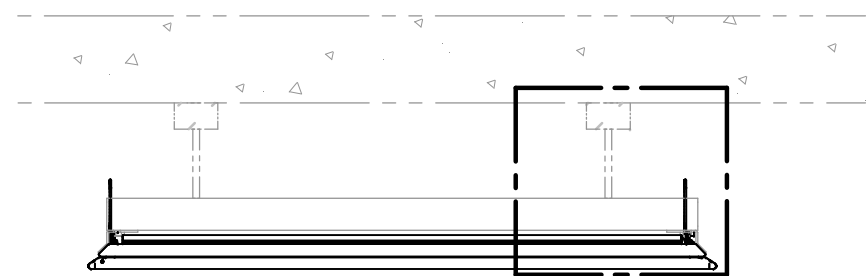
ASSEMBLY AND INSTALLATION
- ALL COMPONENTS SHOWN ARE FACTORY ASSEMBLED BY PARC UNLESS OTHERWISE NOTED
- ALL INSTALLATION BY OTHERS AND METHODS SHOWN ARE NOTIONAL
- (ASSY BY OTHERS): PROVIDED BY PARC, FIELD ASSEMBLED BY OTHERS
- (BY OTHERS): PROVIDED AND FIELD ASSEMBLED BY OTHERS

NOTES:
- PRODUCT FINISH MAY VARY IN TONE, GLOSS AND TEXTURE; VARIATIONS ARE WITHIN PRICE INDUSTRIES' QUALITY STANDARDS METRIC DIMENSIONS SHOWN IN BRACKETS [X.XX]
- SYSTEM MASS = 20 KG / SQ M
- MINIMUM OF ONE TORSION SPRING REQUIRED PER 0.23 M²
- ONLY ONE SIDE (A/C OR B/D) MAY EXCEED 60.00 [1500]
- ONLY ONE SIDE (A/C OR B/D) MAY BE LESS THAN 24.00 [600]

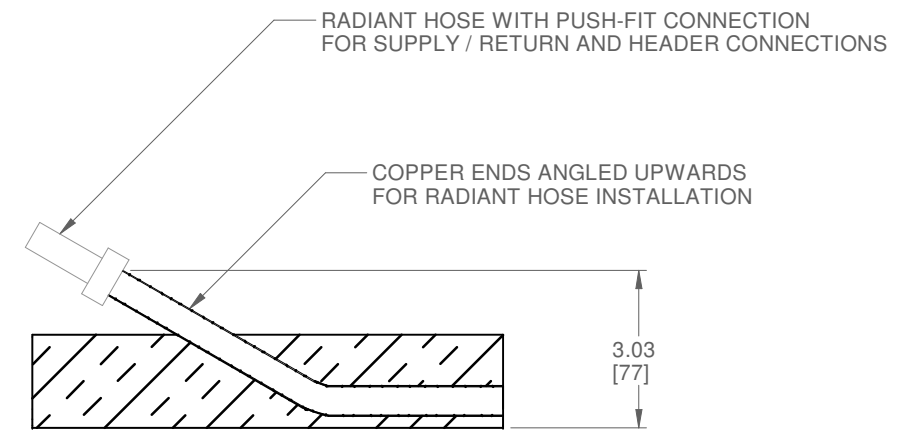


DETAIL B

TOP VIEW



ELEVATION VIEW B



SECTION A-A

- MATERIAL
- FRAMES: ALUMINUM EXTRUSION
- PANEL: ALUMINUM WITH COPPER TUBING
- INSULATION: ACOUSTIC INSULATION
- RADIANT HOSES: BRAIDED STAINLESS STEEL

REV	DATE	DRAWN BY	CHECKED BY
B	2021-09-27	AS	JAC
A	2020-10-16	JAC	MLH

ALL DIMENSIONS IN INCHES UNLESS OTHERWISE SPECIFIED

TOLERANCES UNLESS OTHERWISE SPECIFIED	LINEAR	ANGULAR	INCHES	DEGREES
	X.X ± .06	X ± 1	X.XX ± .03	X.XX ± .25
	X.XXX ± .01	X.XX ± .01		

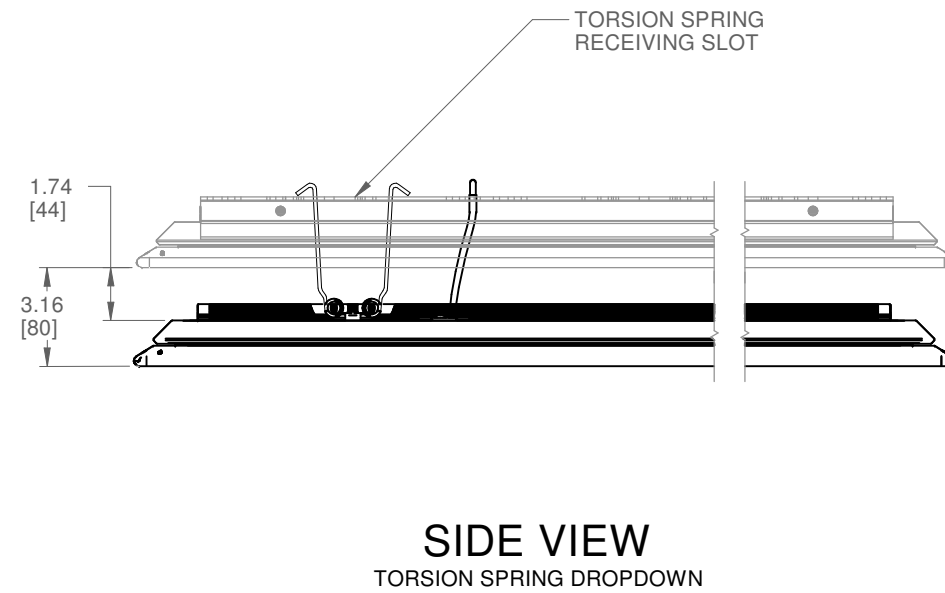
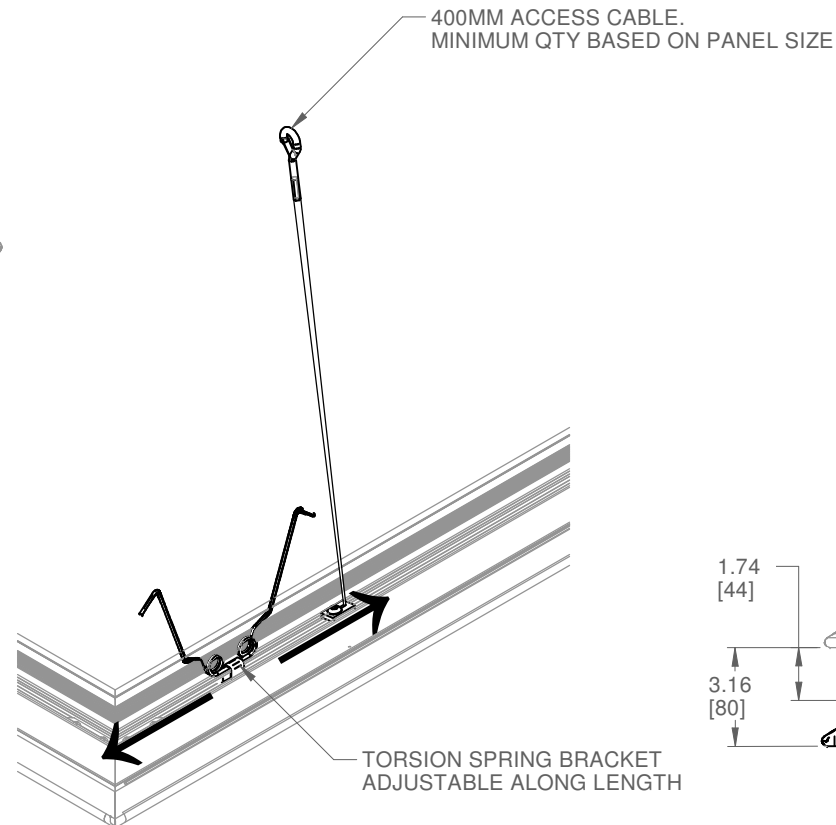
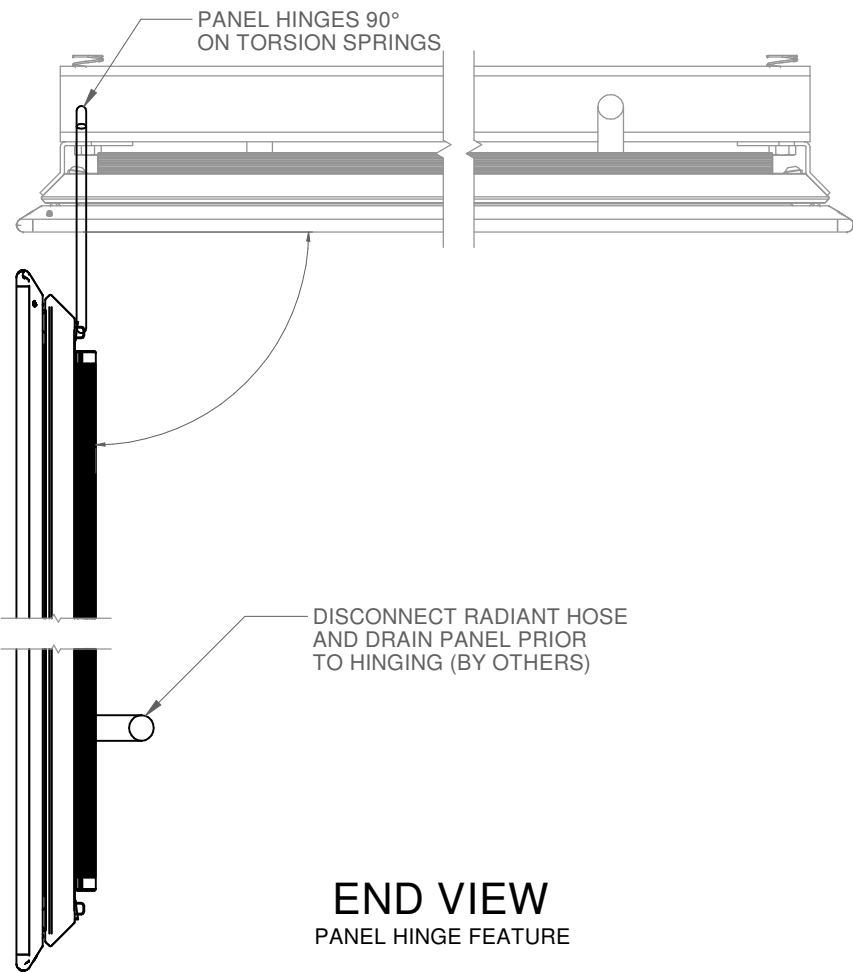
PROJECT **WEAVE**

DRAWING TITLE **STANDARD PANEL**

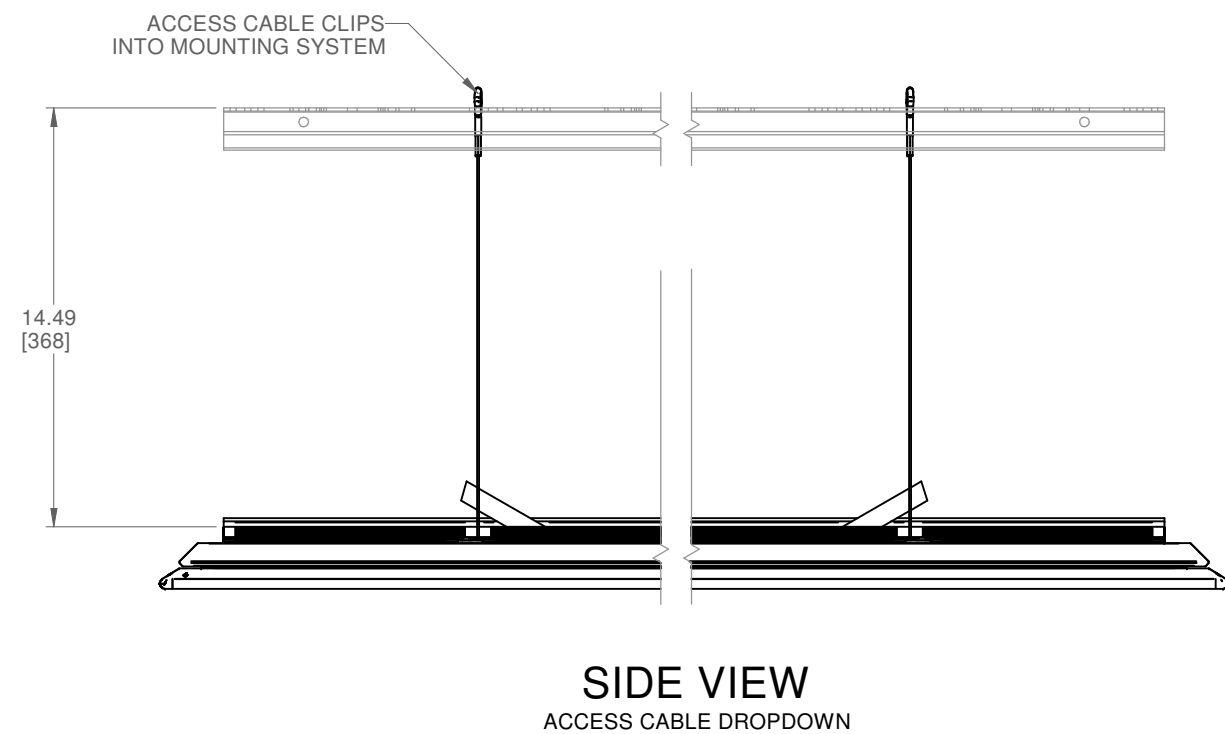
SUBMITTAL NUMBER	272753	SHEET 1 OF 6	SIZE B
------------------	---------------	--------------	---------------

SUBMITTAL

TORSION SPRINGS



ACCESS CABLES



- MATERIAL
 - TORSION SPRINGS: GALVANIZED STEEL
 - ACCESS CABLES: BRAIDED STEEL

FINISH:
- ALL HARDWARE: MILL FINISH UNLESS OTHERWISE SPECIFIED

MECHANICAL SERVICE
- ALLOWABLE OPERATING PRESSURE = 10.34 BAR (150 PSI)

ASSEMBLY AND INSTALLATION
- ALL COMPONENTS SHOWN ARE FACTORY ASSEMBLED BY PARC UNLESS OTHERWISE NOTED
- ALL INSTALLATION BY OTHERS AND METHODS SHOWN ARE NOTIONAL
- (ASSY BY OTHERS): PROVIDED BY PARC, FIELD ASSEMBLED BY OTHERS
- (BY OTHERS): PROVIDED AND FIELD ASSEMBLED BY OTHERS

NOTES:
- PRODUCT FINISH MAY VARY IN TONE, GLOSS AND TEXTURE. VARIATIONS ARE WITHIN PRICE INDUSTRIES' QUALITY STANDARDS METRIC DIMENSIONS SHOWN IN BRACKETS [X.XX]
- SYSTEM MASS = 20 KG / SQ M
- MINIMUM OF ONE TORSION SPRING REQUIRED PER 0.23 M²
- ONLY ONE SIDE (A/C OR B/D) MAY EXCEED 60.00 [1500]
- ONLY ONE SIDE (A/C OR B/D) MAY BE LESS THAN 24.00 [600]

REV	DATE	DRAWN BY	CHECKED BY
B	2021-09-27	AS	JAC
A	2020-10-16	JAC	MLH

ALL DIMENSIONS IN INCHES UNLESS OTHERWISE SPECIFIED

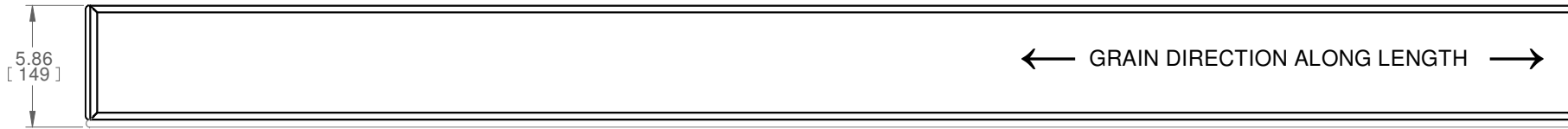
TOLERANCES UNLESS OTHERWISE SPECIFIED			
LINEAR	X.X ± .06	X.XX ± .03	X.XXX ± .01 INCHES
ANGULAR	X ± 1	X.X ± .5	X.XX ± .25 DEGREES

PROJECT
WEAVE

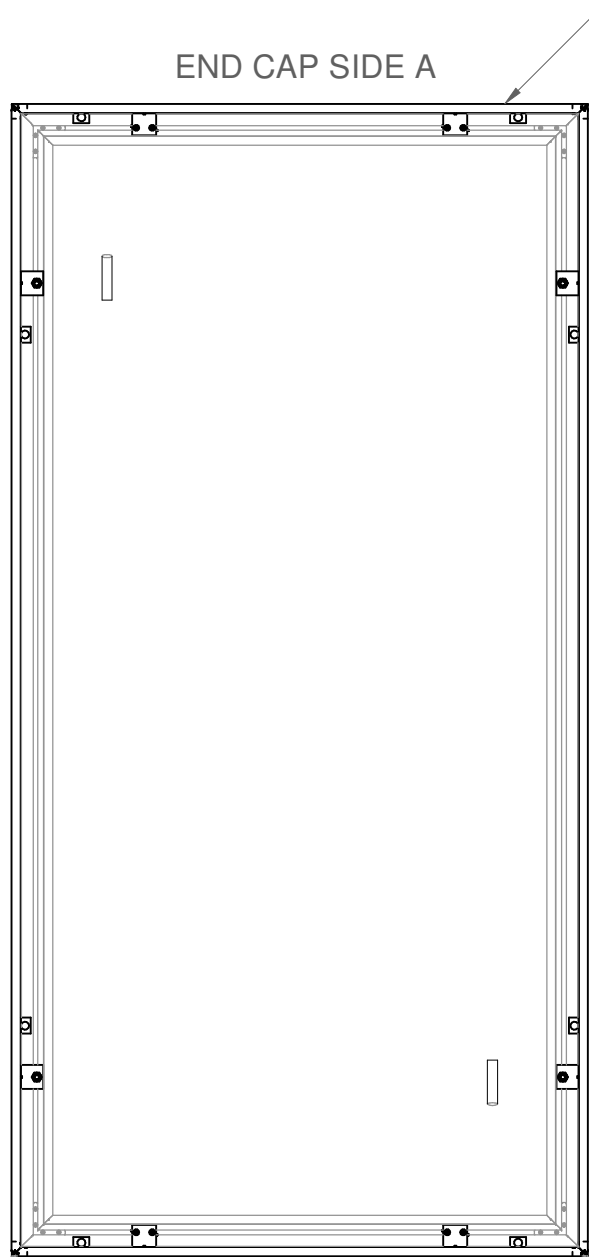
DRAWING TITLE
STANDARD PANEL

SUBMITTAL NUMBER	272753	SHEET 2 OF 6	SIZE B
------------------	---------------	--------------	---------------

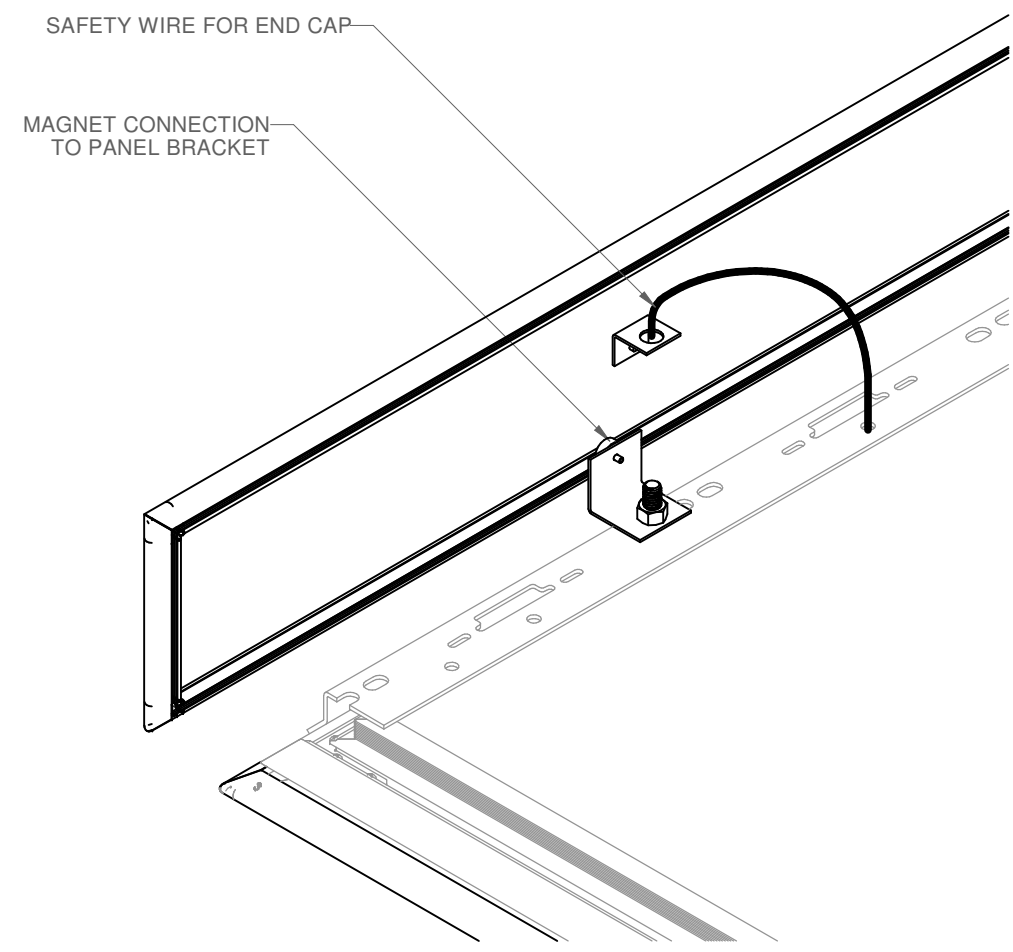
END CAPS



SIDE VIEW
OPTIONAL END CAP



TOP VIEW
END CAP EDGE OPTIONS



DIMETRIC VIEW
END CAP MAGNET BRACKET

FINISH:
- ALL HARDWARE: MILL FINISH UNLESS OTHERWISE SPECIFIED

MECHANICAL SERVICE
- ALLOWABLE OPERATING PRESSURE = 10.34 BAR (150 PSI)

ASSEMBLY AND INSTALLATION
- ALL COMPONENTS SHOWN ARE FACTORY ASSEMBLED BY PARC UNLESS OTHERWISE NOTED
- ALL INSTALLATION BY OTHERS AND METHODS SHOWN ARE NOTIONAL
- (ASSY BY OTHERS): PROVIDED BY PARC, FIELD ASSEMBLED BY OTHERS
- (BY OTHERS): PROVIDED AND FIELD ASSEMBLED BY OTHERS

NOTES:
- PRODUCT FINISH MAY VARY IN TONE, GLOSS AND TEXTURE; VARIATIONS ARE WITHIN PRICE INDUSTRIES' QUALITY STANDARDS METRIC DIMENSIONS SHOWN IN BRACKETS [X.XX]
- SYSTEM MASS = 20 KG / SQ M
- MINIMUM OF ONE TORSION SPRING REQUIRED PER 0.23 M2
- ONLY ONE SIDE (A/C OR B/D) MAY EXCEED 60.00 [1500]
- ONLY ONE SIDE (A/C OR B/D) MAY BE LESS THAN 24.00 [600]

REV	DATE	DRAWN BY	CHECKED BY
B	2021-09-27	AS	JAC
A	2020-10-16	JAC	MLH

ALL DIMENSIONS IN INCHES UNLESS OTHERWISE SPECIFIED

TOLERANCES UNLESS OTHERWISE SPECIFIED			
LINEAR	X.X ± .06	X.XX ± .03	X.XXX ± .01
ANGULAR	X ± 1	X.X ± .5	X.XX ± .25

PROJECT **WEAVE**

DRAWING TITLE **STANDARD PANEL**

SUBMITTAL NUMBER	272753	SHEET 3 OF 6	SIZE B
------------------	---------------	--------------	---------------

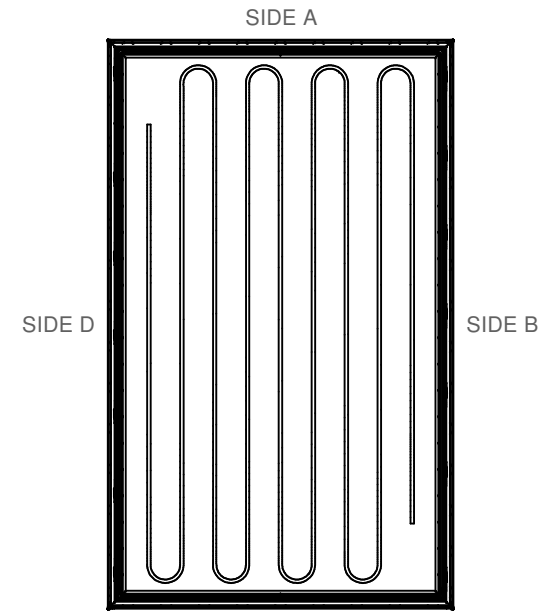
COIL LAYOUT

FINISH:
- ALL HARDWARE: MILL FINISH UNLESS OTHERWISE SPECIFIED

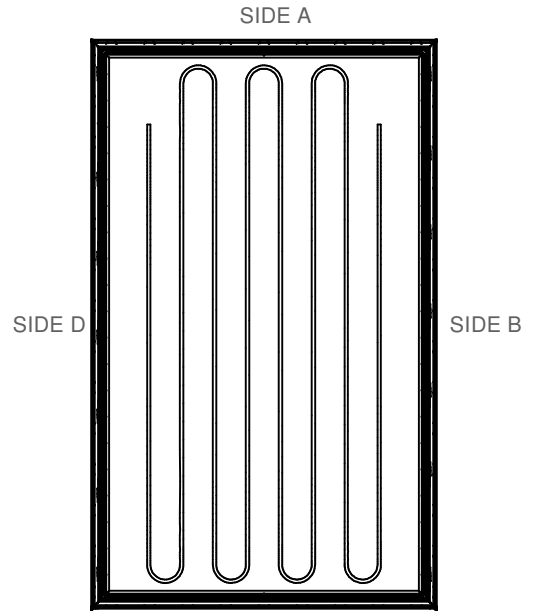
MECHANICAL SERVICE
- ALLOWABLE OPERATING PRESSURE = 10.34 BAR (150 PSI)

ASSEMBLY AND INSTALLATION
- ALL COMPONENTS SHOWN ARE FACTORY ASSEMBLED BY PARC UNLESS OTHERWISE NOTED
- ALL INSTALLATION BY OTHERS AND METHODS SHOWN ARE NOTIONAL
- (ASSY BY OTHERS): PROVIDED BY PARC, FIELD ASSEMBLED BY OTHERS
- (BY OTHERS): PROVIDED AND FIELD ASSEMBLED BY OTHERS

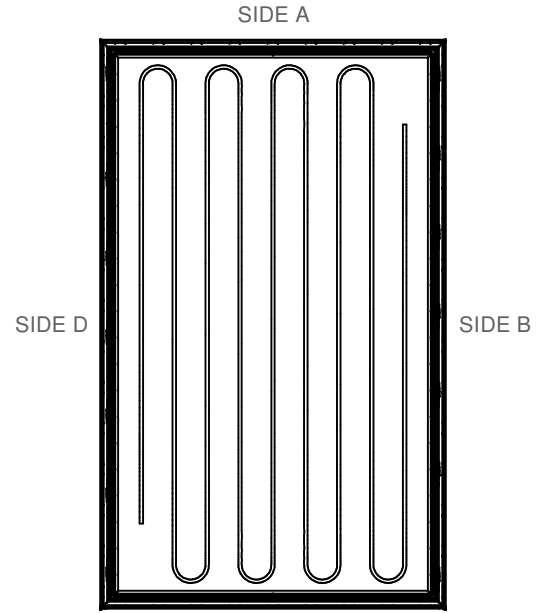
NOTES:
- PRODUCT FINISH MAY VARY IN TONE, GLOSS AND TEXTURE; VARIATIONS ARE WITHIN PRICE INDUSTRIES' QUALITY STANDARDS METRIC DIMENSIONS SHOWN IN BRACKETS [X.XX]
- SYSTEM MASS = 20 KG / SQ M
- MINIMUM OF ONE TORSION SPRING REQUIRED PER 0.23 M²
- ONLY ONE SIDE (A/C OR B/D) MAY EXCEED 60.00 [1500]
- ONLY ONE SIDE (A/C OR B/D) MAY BE LESS THAN 24.00 [600]



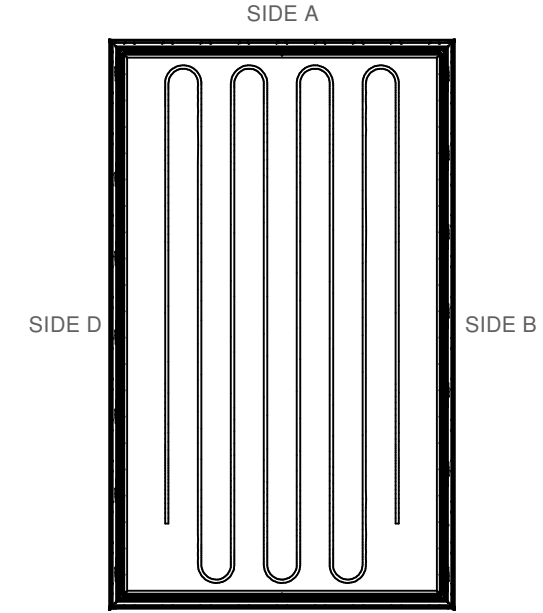
COIL LAYOUT 1
CL1



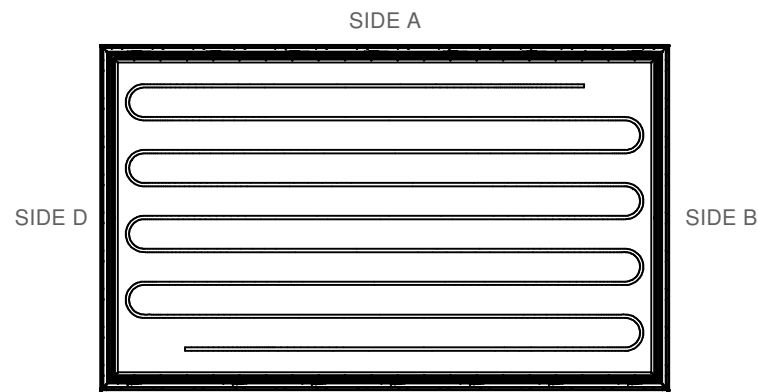
COIL LAYOUT 2
CL2



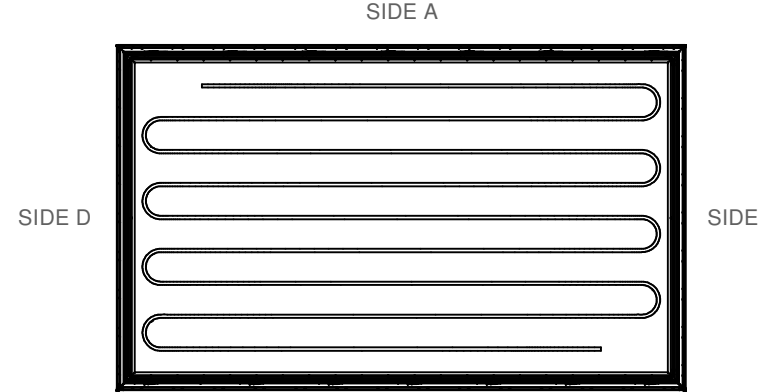
COIL LAYOUT 3
CL3



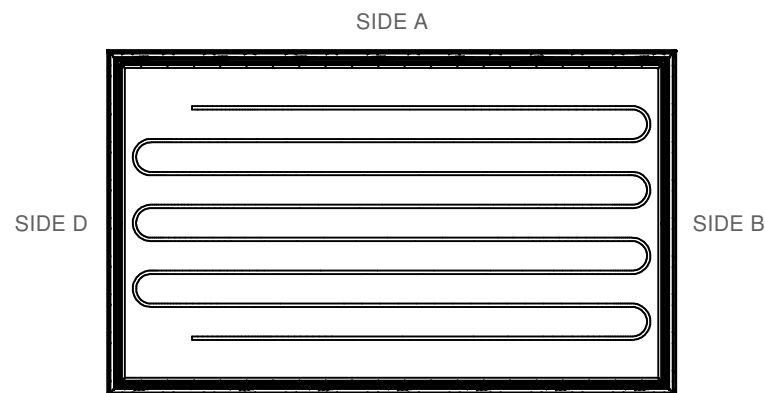
COIL LAYOUT 4
CL4



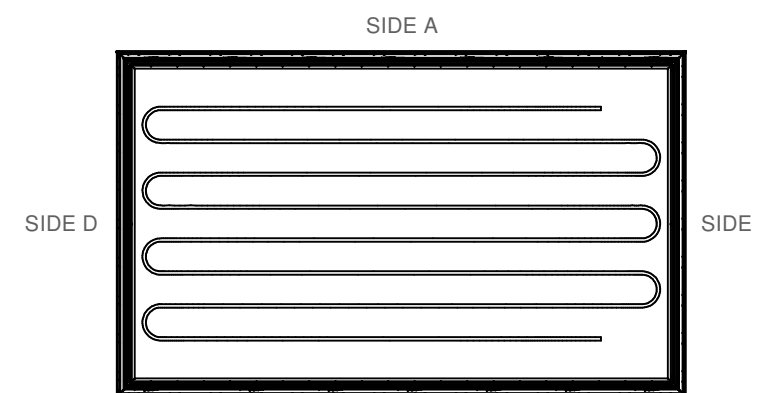
COIL LAYOUT 5
CL5



COIL LAYOUT 7
CL7



COIL LAYOUT 6
CL6



COIL LAYOUT 8
CL8

B	2021-09-27	AS	JAC
A	2020-10-16	JAC	MLH
REV	DATE	DRAWN BY	CHECKED BY

ALL DIMENSIONS IN INCHES UNLESS OTHERWISE SPECIFIED

TOLERANCES UNLESS OTHERWISE SPECIFIED			
LINEAR	X.X ± .06	X.XX ± .03	X.XXX ± .01 INCHES
ANGULAR	X ± 1	X.X ± .5	X.XX ± .25 DEGREES

PROJECT **WEAVE**

DRAWING TITLE **STANDARD PANEL**

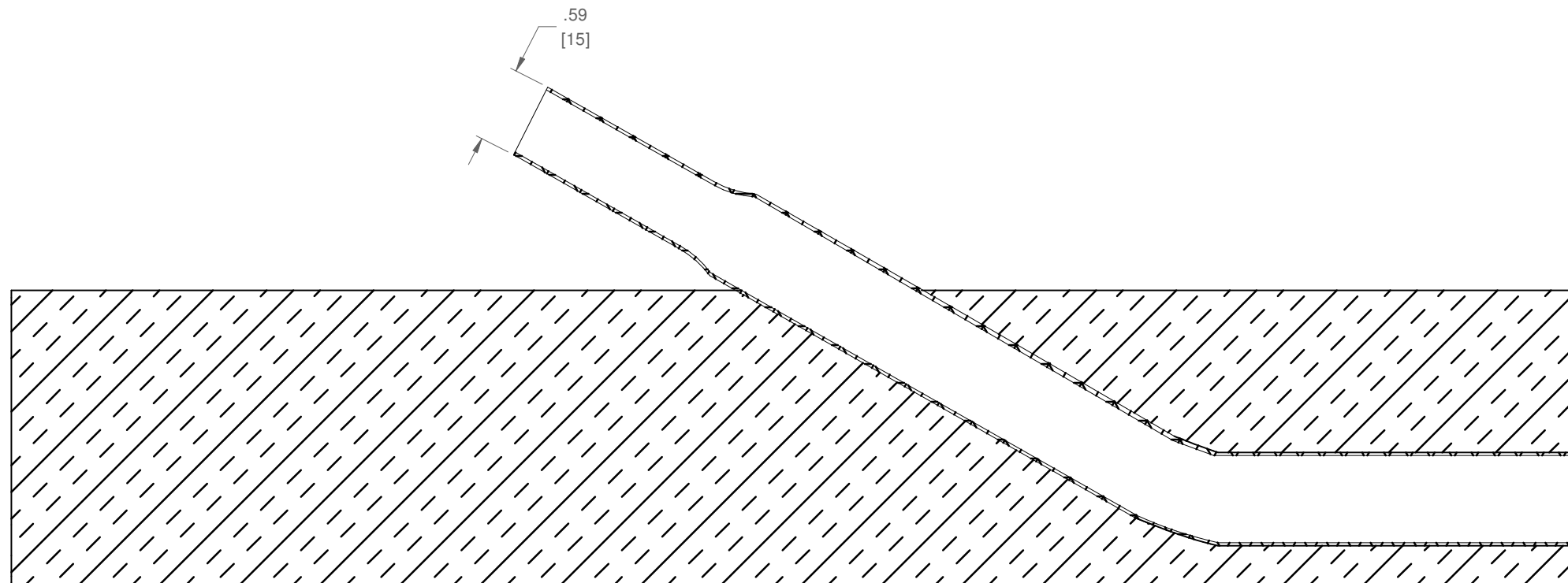
SUBMITTAL NUMBER	272753	SHEET 4 OF 6	SIZE B
------------------	---------------	--------------	---------------

FINISH:
- ALL HARDWARE: MILL FINISH UNLESS OTHERWISE SPECIFIED

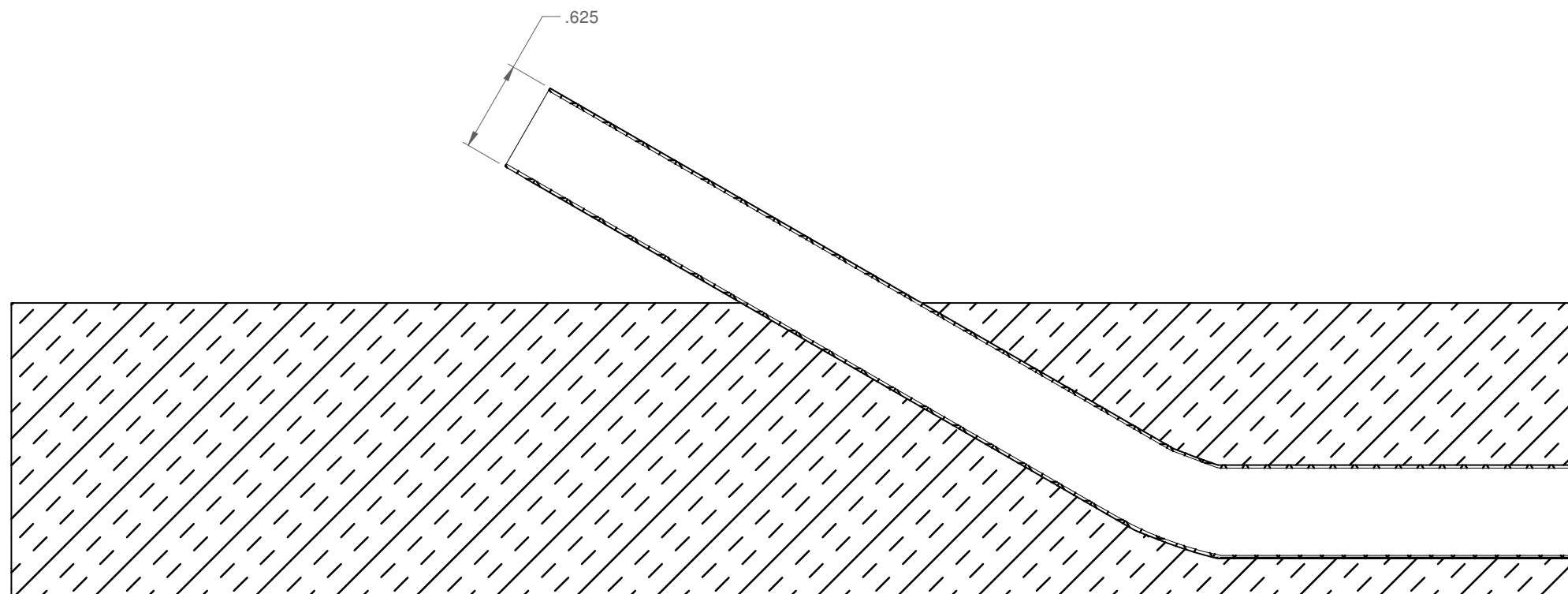
MECHANICAL SERVICE
- ALLOWABLE OPERATING PRESSURE = 10.34 BAR (150 PSI)

ASSEMBLY AND INSTALLATION
- ALL COMPONENTS SHOWN ARE FACTORY ASSEMBLED BY PARC UNLESS OTHERWISE NOTED
- ALL INSTALLATION BY OTHERS AND METHODS SHOWN ARE NOTIONAL
- (ASSY BY OTHERS): PROVIDED BY PARC, FIELD ASSEMBLED BY OTHERS
- (BY OTHERS): PROVIDED AND FIELD ASSEMBLED BY OTHERS

NOTES:
- PRODUCT FINISH MAY VARY IN TONE, GLOSS AND TEXTURE; VARIATIONS ARE WITHIN PRICE INDUSTRIES' QUALITY STANDARDS METRIC DIMENSIONS SHOWN IN BRACKETS [X.XX]
- SYSTEM MASS = 20 KG / SQ M
- MINIMUM OF ONE TORSION SPRING REQUIRED PER 0.23 M²
- ONLY ONE SIDE (A/C OR B/D) MAY EXCEED 60.00 [1500]
- ONLY ONE SIDE (A/C OR B/D) MAY BE LESS THAN 24.00 [600]



TUBE END SIZE
15 MM OPTION



TUBE END SIZE
.625 OPTION

- TUBE END SIZE
 - 15 mm OUTER DIAMETER
 - .625 OUTER DIAMETER

REV	DATE	DRAWN BY	CHECKED BY
B	2021-09-27	AS	JAC
A	2020-10-16	JAC	MLH

ALL DIMENSIONS IN INCHES UNLESS OTHERWISE SPECIFIED

TOLERANCES UNLESS OTHERWISE SPECIFIED			
LINEAR	X.X ± .06	X.XX ± .03	X.XXX ± .01 INCHES
ANGULAR	X ± 1	X.X ± .5	X.XX ± .25 DEGREES

PROJECT
WEAVE

DRAWING TITLE
STANDARD PANEL

SUBMITTAL NUMBER	272753	SHEET 5 OF 6	SIZE B
------------------	---------------	--------------	---------------

SUBMITTAL

TEXTILE

- GRAIN DIRECTION

SIDE A

- COLOUR OPTIONS

- CASA VERO 1100
- CASA VERO 1122
- CASA VERO 1212
- CASA VERO 1250

FINISH:
- ALL HARDWARE: MILL FINISH UNLESS OTHERWISE SPECIFIED

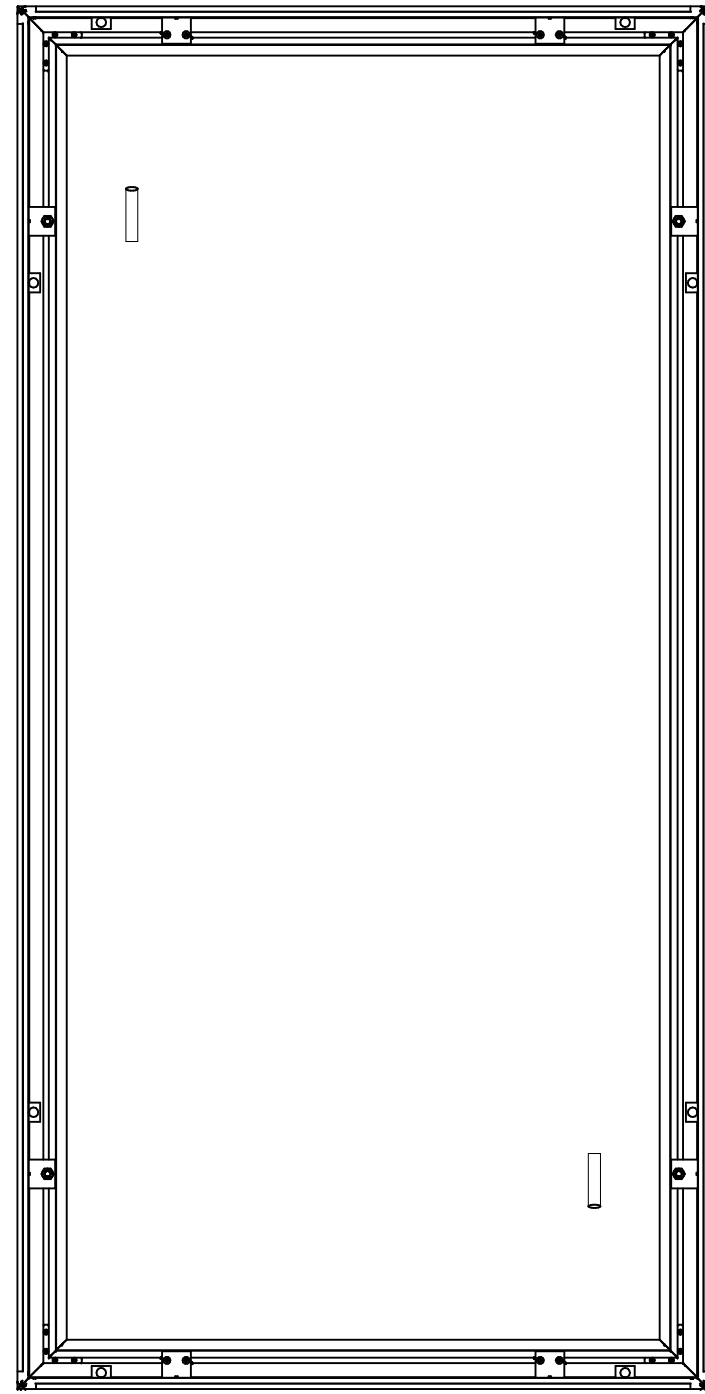
MECHANICAL SERVICE
- ALLOWABLE OPERATING PRESSURE = 10.34 BAR (150 PSI)

ASSEMBLY AND INSTALLATION
- ALL COMPONENTS SHOWN ARE FACTORY ASSEMBLED BY PARC UNLESS OTHERWISE NOTED
- ALL INSTALLATION BY OTHERS AND METHODS SHOWN ARE NOTIONAL
- (ASSY BY OTHERS): PROVIDED BY PARC, FIELD ASSEMBLED BY OTHERS
- (BY OTHERS): PROVIDED AND FIELD ASSEMBLED BY OTHERS

NOTES:
- PRODUCT FINISH MAY VARY IN TONE, GLOSS AND TEXTURE; VARIATIONS ARE WITHIN PRICE INDUSTRIES' QUALITY STANDARDS METRIC DIMENSIONS SHOWN IN BRACKETS [X.XX]
- SYSTEM MASS = 20 KG / SQ M
- MINIMUM OF ONE TORSION SPRING REQUIRED PER 0.23 M²
- ONLY ONE SIDE (A/C OR B/D) MAY EXCEED 60.00 [1500]
- ONLY ONE SIDE (A/C OR B/D) MAY BE LESS THAN 24.00 [600]



GRAIN DIRECTION A
(GD-A)



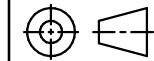
SIDE B



GRAIN DIRECTION B
(GD-B)

TOP VIEW
TEXTILE GRAIN DIRECTION

B	2021-09-27	AS	JAC
A	2020-10-16	JAC	MLH
REV	DATE	DRAWN BY	CHECKED BY



ALL DIMENSIONS IN INCHES UNLESS OTHERWISE SPECIFIED

TOLERANCES UNLESS OTHERWISE SPECIFIED			
LINEAR	X.X ± .06	X.XX ± .03	X.XXX ± .01 INCHES
ANGULAR	X ± 1	X.X ± .5	X.XX ± .25 DEGREES

PROJECT
WEAVE

DRAWING TITLE
STANDARD PANEL

SUBMITTAL NUMBER	272753	SHEET 6 OF 6	SIZE B
------------------	---------------	--------------	---------------