

SUBMITTAL

GENERAL CONSTRUCTION - NODE SMOKE SAMPLING POINT (SMPT)

PROJECT CHECKLIST

TAG: _____

QUANTITY: _____

STYLE :

- STANDARD
- ADDRESSABLE

CONFIGURATION:

- VSP-980 4MM TUBE
- VSP-981 6MM TUBE
- E700-SP 10MM TUBE

MOUNTING:

- FLUSH CHANNEL
- RECESSED CHANNEL
- TRIMLESS

DEVICE TRIM COLOR:

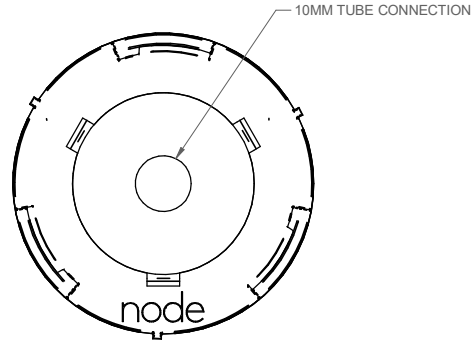
- BLACK
- WHITE

HOUSING COLOR:

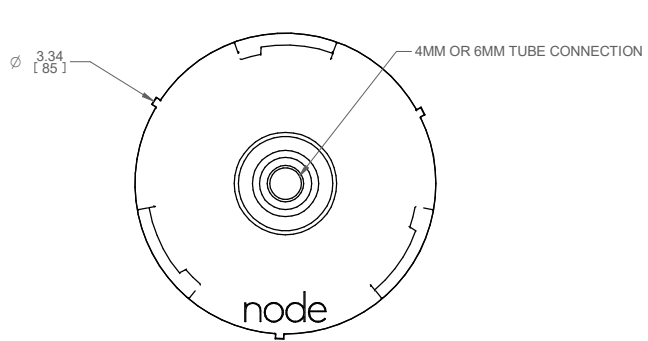
- BLACK POLYMER - B17
- WHITE POLYMER - RAL 9016

DEVICE FACE FINISH:

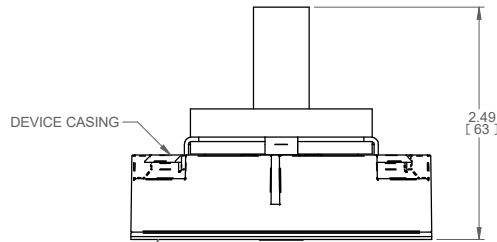
- BLACK POLYMER - B17
- WHITE POLYMER - RAL 9016
- BLACK - PRICE B17
- WHITE - RAL 9016
- ANODIZED - CLEAR SATIN
- ANODIZED - CHAMPAGNE SATIN
- ANODIZED - LIGHT BRONZE SATIN
- ANODIZED - MEDIUM BRONZE SATIN
- ANODIZED - DARK BRONZE SATIN
- ANODIZED - BLACK SATIN



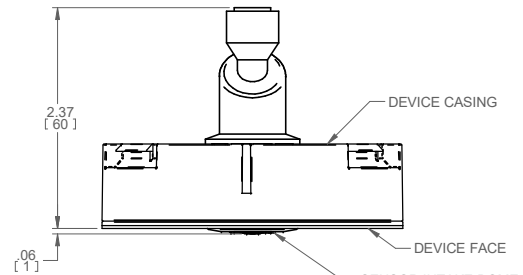
TOP VIEW
STANDARD



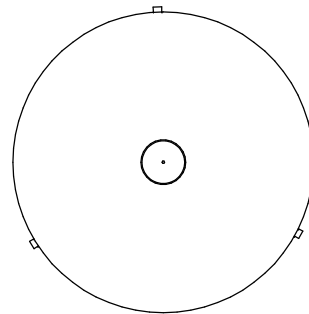
TOP VIEW
ADDRESSABLE



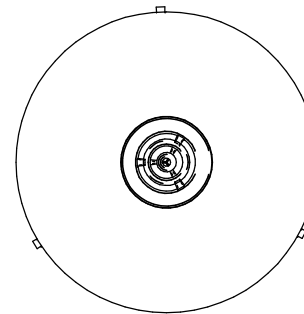
SIDE VIEW
STANDARD



SIDE VIEW
ADDRESSABLE



BOTTOM VIEW
STANDARD



BOTTOM VIEW
ADDRESSABLE



CONSTRUCTION:

- DEVICE CASING
 - o MOULDED POLYMER
- OUTER HOUSINGS
 - o MOULDED POLYMER

FINISH:

- ALL HARDWARE: MILL FINISH UNLESS OTHERWISE SPECIFIED

ELECTRICAL SERVICE

- SEE DEVICE DATASHEET

CONTROLS

- CONTROLS BY OTHERS

ASSEMBLY AND INSTALLATION

- ALL COMPONENTS SHOWN ARE FACTORY ASSEMBLED BY PARC UNLESS OTHERWISE NOTED
- ALL INSTALLATION BY OTHERS AND METHODS SHOWN ARE NOTIONAL
- (ASSY BY OTHERS); PROVIDED BY PARC. FIELD ASSEMBLED BY OTHERS
- (BY OTHERS); PROVIDED AND FIELD ASSEMBLED BY OTHERS

NOTES:

- DIMENSIONS SHOWN IN PARENTHESES ARE FOR REFERENCE ONLY (X.XX)
- METRIC DIMENSIONS SHOWN IN BRACKETS [X.XX]
- PRODUCT FINISH MAY VARY IN TONE, GLOSS AND TEXTURE. VARIATIONS ARE WITHIN PARC QUALITY STANDARDS
- TBC: DETAILS TO BE CONFIRMED

REV	DATE	DRAWN BY	CHECKED BY
C	2022-10-03	VH	JAC
B	2021-10-29	AS	JAC
A	2021-05-26	NLD	NPT

ALL DIMENSIONS IN INCHES UNLESS OTHERWISE SPECIFIED

TOLERANCES UNLESS OTHERWISE SPECIFIED	INCHES
LINEAR	X.X ± .06 X.XX ± .03 X.XXX ± .01
ANGULAR	X ± 1 X.X ± .5 X.XX ± .25

PROJECT

DRAWING TITLE

NODE SMOKE SAMPLING POINT SUBMITTAL

SUBMITTAL NUMBER	273452	SHEET 1 OF 3	SIZE B
------------------	--------	--------------	--------

© COPYRIGHT PRICE INDUSTRIES 2021

SUBMITTAL

GENERAL CONSTRUCTION - CHANNEL MOUNTED



CONSTRUCTION:

- DEVICE CASING
 - o MOULDED POLYMER
- OUTER HOUSINGS
 - o MOULDED POLYMER

FINISH:

- ALL HARDWARE: MILL FINISH UNLESS OTHERWISE SPECIFIED

ELECTRICAL SERVICE

- SEE DEVICE DATASHEET

CONTROLS

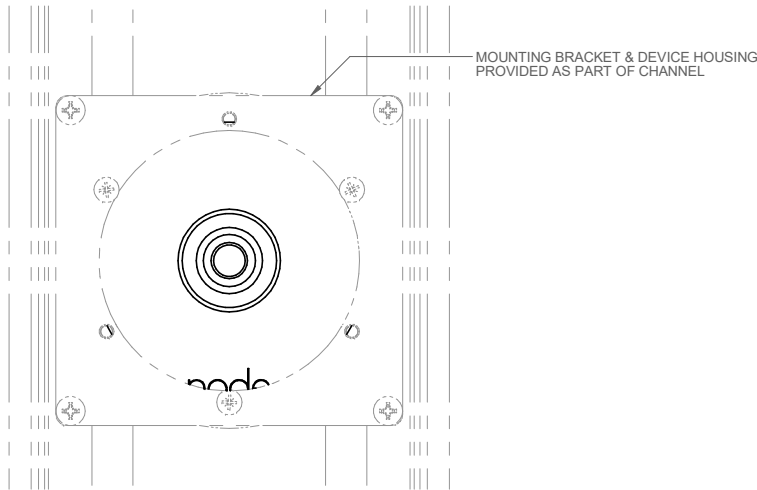
- CONTROLS BY OTHERS

ASSEMBLY AND INSTALLATION

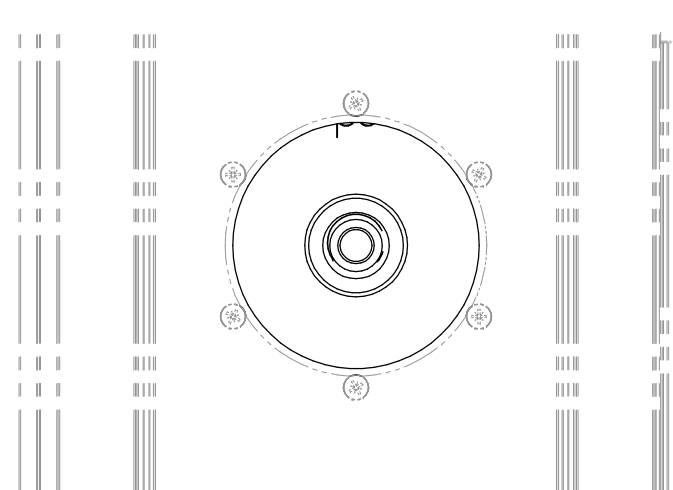
- ALL COMPONENTS SHOWN ARE FACTORY ASSEMBLED BY PARC UNLESS OTHERWISE NOTED
- ALL INSTALLATION BY OTHERS AND METHODS SHOWN ARE NOTIONAL
- (ASSY BY OTHERS); PROVIDED BY PARC. FIELD ASSEMBLED BY OTHERS
- (BY OTHERS); PROVIDED AND FIELD ASSEMBLED BY OTHERS

NOTES:

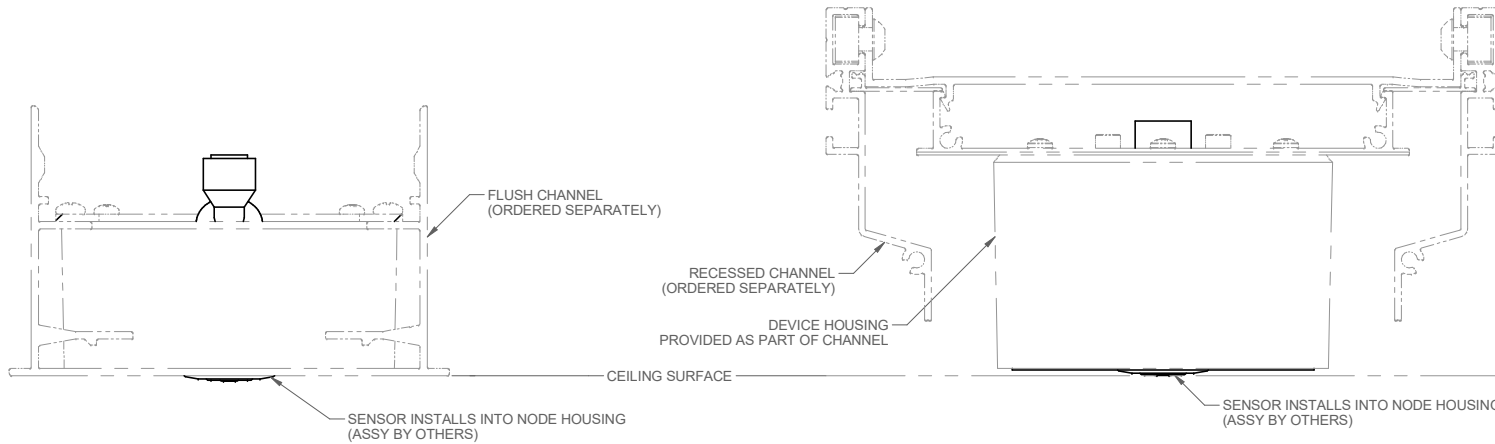
- DIMENSIONS SHOWN IN PARENTHESES ARE FOR REFERENCE ONLY (X.XX)
- METRIC DIMENSIONS SHOWN IN BRACKETS [X.XX]
- PRODUCT FINISH MAY VARY IN TONE, GLOSS AND TEXTURE. VARIATIONS ARE WITHIN PARC QUALITY STANDARDS
- TBC: DETAILS TO BE CONFIRMED



FLUSH CHANNEL TOP VIEW



RECESSED CHANNEL TOP VIEW



FLUSH CHANNEL END VIEW

RECESSED CHANNEL END VIEW

C	2022-10-03	VH	JAC
B	2021-10-29	AS	JAC
A	2021-05-26	NLD	NPT
REV	DATE	DRAWN BY	CHECKED BY

ALL DIMENSIONS IN INCHES UNLESS OTHERWISE SPECIFIED

TOLERANCES UNLESS OTHERWISE SPECIFIED			
LINEAR	X.X ± .06	X.XX ± .03	X.XXX ± .01 INCHES
ANGULAR	X ± 1	X.X ± .5	X.XX ± .25 DEGREES

PROJECT

DRAWING TITLE
NODE SMOKE SAMPLING POINT SUBMITTAL

SUBMITTAL NUMBER	273452	SHEET 2 OF 3	SIZE B
------------------	---------------	--------------	---------------

© COPYRIGHT PRICE INDUSTRIES 2021

A | B | C | D | E

SUBMITTAL

GENERAL CONSTRUCTION - TRIMLESS



CONSTRUCTION:
 - DEVICE CASING
 o MOULDED POLYMER
 - OUTER HOUSINGS
 o MOULDED POLYMER

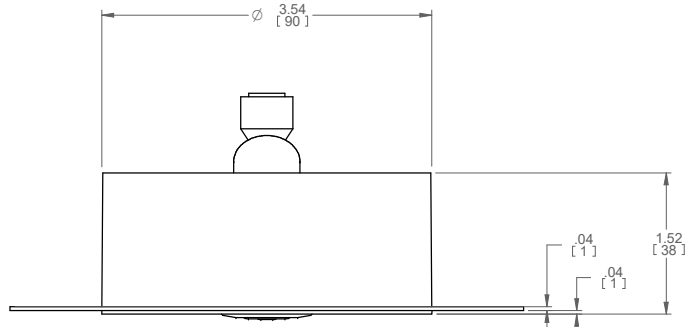
FINISH:
 - ALL HARDWARE: MILL FINISH UNLESS OTHERWISE SPECIFIED
 - SEE DEVICE DATASHEET

ELECTRICAL SERVICE
 - SEE DEVICE DATASHEET

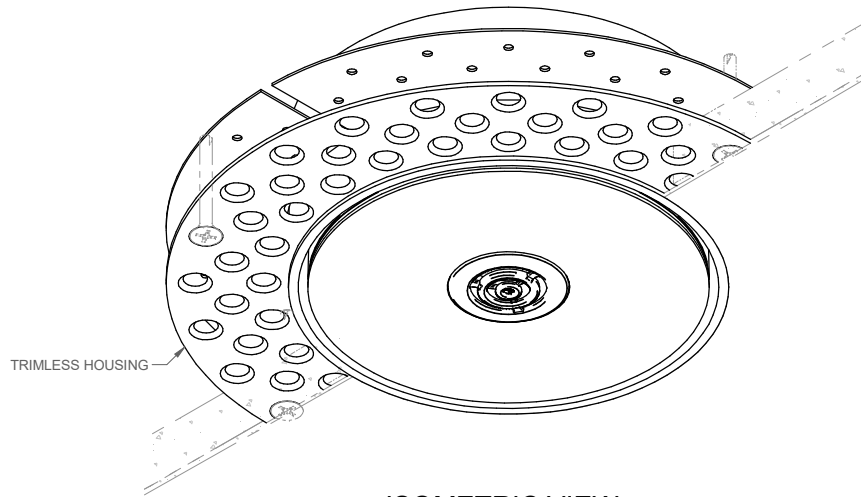
CONTROLS
 - CONTROLS BY OTHERS

ASSEMBLY AND INSTALLATION
 - ALL COMPONENTS SHOWN ARE FACTORY ASSEMBLED BY PARC UNLESS OTHERWISE NOTED
 - ALL INSTALLATION BY OTHERS AND METHODS SHOWN ARE NOTIONAL
 - (ASSY BY OTHERS); PROVIDED BY PARC. FIELD ASSEMBLED BY OTHERS
 - (BY OTHERS); PROVIDED AND FIELD ASSEMBLED BY OTHERS

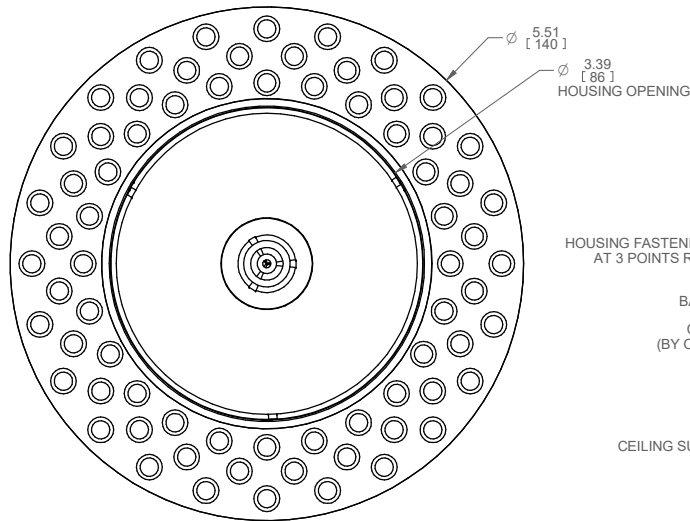
NOTES:
 - DIMENSIONS SHOWN IN PARENTHESES ARE FOR REFERENCE ONLY (X.XX)
 - METRIC DIMENSIONS SHOWN IN BRACKETS [X.XX]
 - PRODUCT FINISH MAY VARY IN TONE, GLOSS AND TEXTURE. VARIATIONS ARE WITHIN PARC QUALITY STANDARDS
 - TBC: DETAILS TO BE CONFIRMED



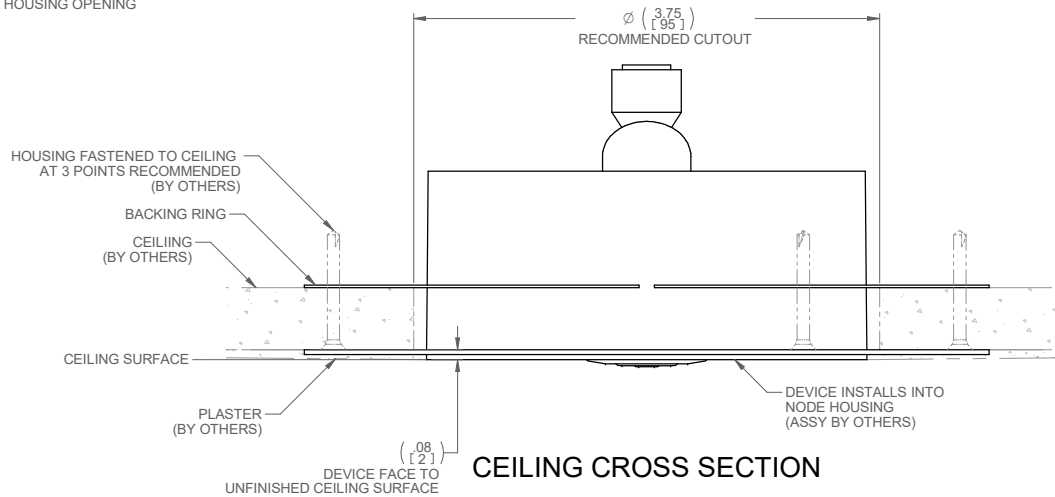
FRONT VIEW



ISOMETRIC VIEW



BOTTOM VIEW



CEILING CROSS SECTION

REV	DATE	DRAWN BY	CHECKED BY
C	2022-10-03	VH	JAC
B	2021-10-29	AS	JAC
A	2021-05-26	NLD	NPT

ALL DIMENSIONS IN INCHES UNLESS OTHERWISE SPECIFIED

TOLERANCES UNLESS OTHERWISE SPECIFIED
 LINEAR X.X ± .06 X.XX ± .03 X.XXX ± .01 INCHES
 ANGULAR X ± 1 X.X ± .5 X.XX ± .25 DEGREES

PROJECT

DRAWING TITLE
NODE SMOKE SAMPLING POINT SUBMITTAL

SUBMITTAL NUMBER **273452** SHEET 3 OF 3 SIZE **B**

© COPYRIGHT PRICE INDUSTRIES 2021

A | B | C | D | E