

# SUBMITTAL

## GENERAL CONSTRUCTION - NODE FLUSH CHANNEL WITH DIFFUSER PLENUM

### PROJECT CHECKLIST

TAG: \_\_\_\_\_

QUANTITY: \_\_\_\_\_

### STYLE:

- FLUSH CHANNEL WITH DIFFUSER
- RECESSED CHANNEL

### INLET SIZE:

- 6 INCH
- 8 INCH
- 10 INCH
- 12 INCH

### LENGTH:

- 24 INCH
- 36 INCH
- 48 INCH
- 60 INCH
- 600 MM
- 900 MM
- 1200 MM
- 1500 MM

### CONFIGURATION:

- HORIZONTAL FLOW
- OPPOSED HORIZONTAL FLOW (FLUSH ONLY)
- VERTICAL FLOW (RECESSED ONLY)

### DISCHARGE ORIENTATION:

- AWAY FROM INLET
- TOWARDS INLET

### INSULATION:

- NONE
- 0.5 INCH FIBER FREE (INTERNAL)

### INSULATION RATING:

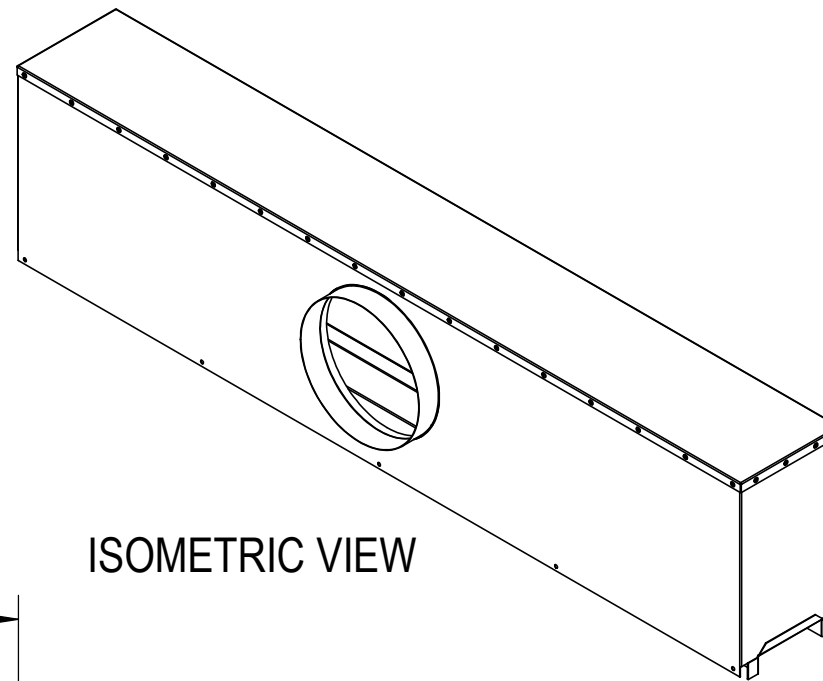
- UL - 25/50
- EUROCLASS B S3 D0

### FINISH:

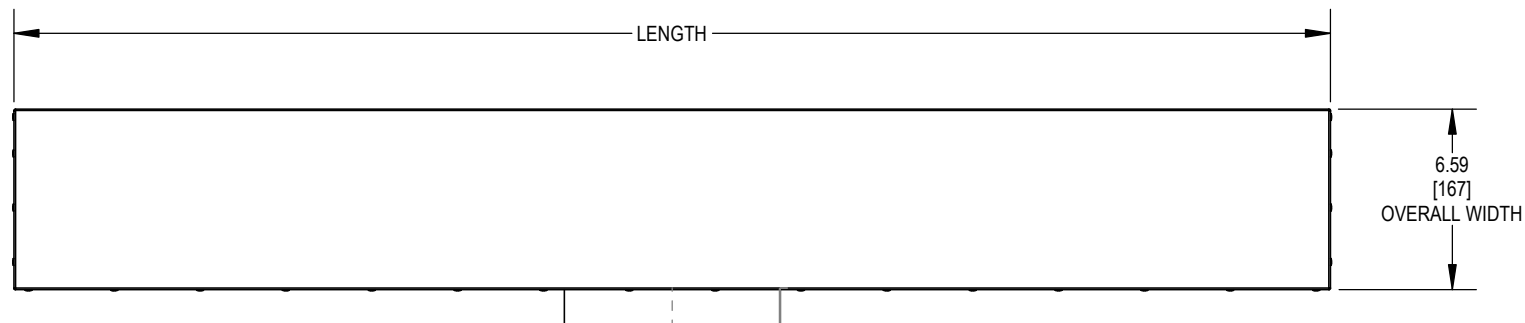
- POWDER COAT
- MILL

### COLOUR:

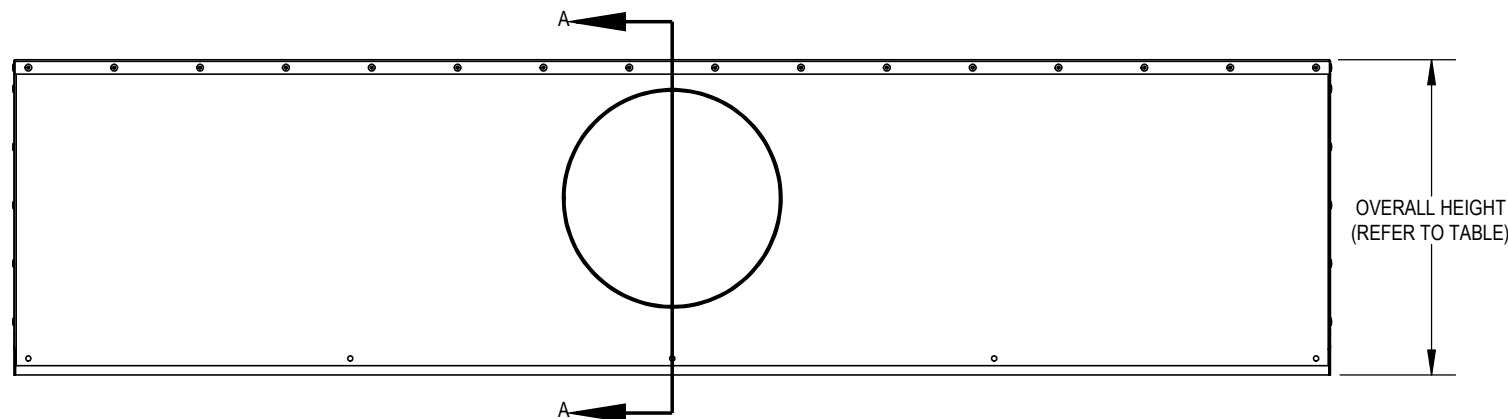
- BLACK - PRICE B17
- WASHED MILL



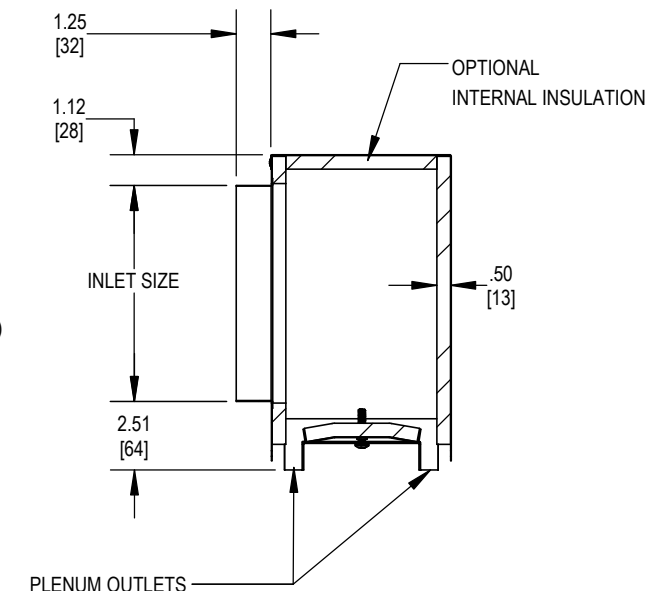
ISOMETRIC VIEW



TOP VIEW



FRONT VIEW



SECTION A-A

12 INCH	15.50 [394]
10 INCH	13.50 [343]
8 INCH	11.50 [292]
6 INCH	9.50 [241]
<b>INLET SIZE</b>	<b>OVERALL HEIGHT</b>



### CONSTRUCTION:

- GALVANNEALED STEEL, 23 GA, 0.26"

### FINISH:

- ALL HARDWARE: MILL FINISH UNLESS OTHERWISE SPECIFIED

### ASSEMBLY AND INSTALLATION

- ALL COMPONENTS SHOWN ARE FACTORY ASSEMBLED BY PARC UNLESS OTHERWISE NOTED  
 - ALL INSTALLATION BY OTHERS AND METHODS SHOWN ARE NOTIONAL  
 - (ASSY BY OTHERS): PROVIDED BY PARC, FIELD ASSEMBLED BY OTHERS  
 - (BY OTHERS): PROVIDED AND FIELD ASSEMBLED BY OTHERS

### NOTES:

- DIMENSIONS SHOWN IN PARENTHESES ARE FOR REFERENCE ONLY (X.XX)  
 - METRIC DIMENSIONS SHOWN IN BRACKETS [X.XX]  
 - PRODUCT FINISH MAY VARY IN TONE, GLOSS AND TEXTURE; VARIATIONS ARE WITHIN PARC QUALITY STANDARDS  
 - TBC: DETAILS TO BE CONFIRMED

A	2022-12-21	VH	JAC
REV	DATE	DRAWN BY	CHECKED BY

ALL DIMENSIONS IN INCHES UNLESS OTHERWISE SPECIFIED

TOLERANCES UNLESS OTHERWISE SPECIFIED			
LINEAR	X.X ±.06	X.XX ±.03	X.XXX ±.01 INCHES
ANGULAR	X ±1	X.X ±.5	X.XX ±.25 DEGREES

PROJECT

DRAWING TITLE  
**NODE CHANNEL PLENUM**

SUBMITTAL NUMBER	<b>220366</b>	SHEET 1 OF 4	SIZE <b>B</b>
------------------	---------------	--------------	---------------

© COPYRIGHT PRICE INDUSTRIES 2022

1

2

3

A

B

C

D

E

**GENERAL CONSTRUCTION - NODE RECESSED CHANNEL PLENUM**



**CONSTRUCTION:**

- GALVANNEALED STEEL, 23 GA, 0.26"

**FINISH:**

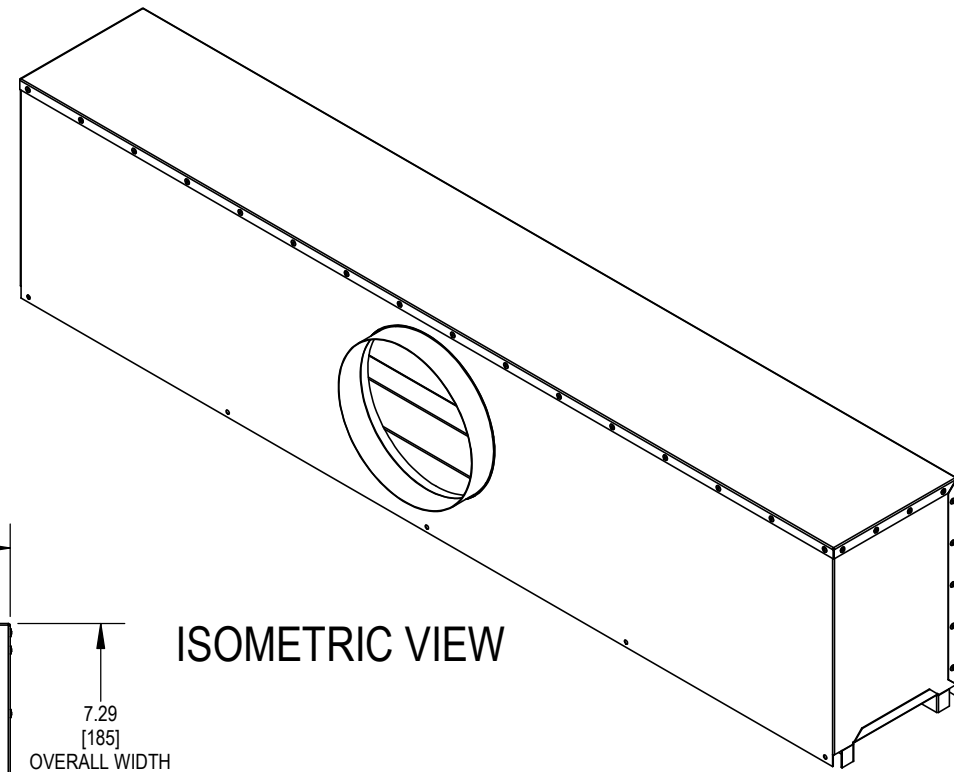
- ALL HARDWARE: MILL FINISH UNLESS OTHERWISE SPECIFIED

**ASSEMBLY AND INSTALLATION**

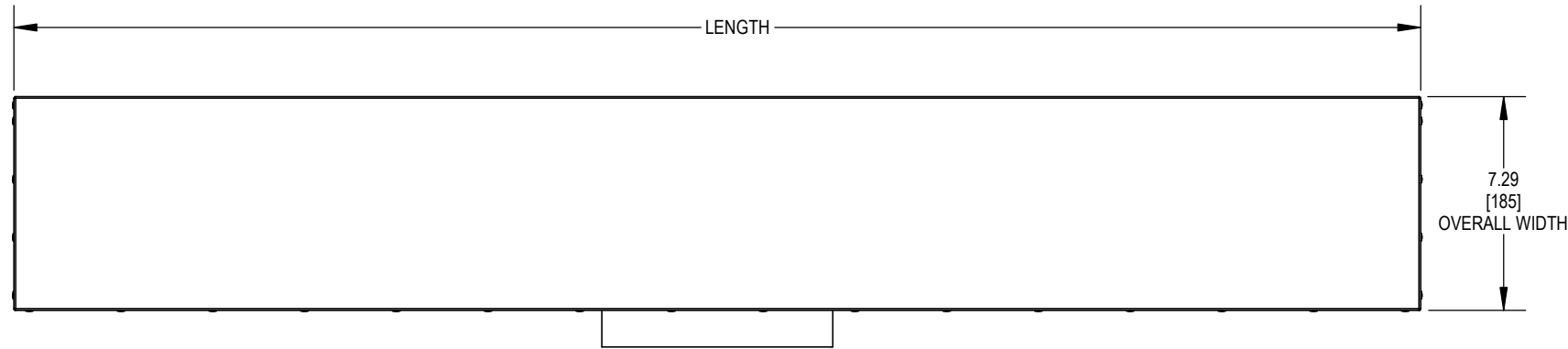
- ALL COMPONENTS SHOWN ARE FACTORY ASSEMBLED BY PARC UNLESS OTHERWISE NOTED  
 - ALL INSTALLATION BY OTHERS AND METHODS SHOWN ARE NOTIONAL  
 - (ASSY BY OTHERS): PROVIDED BY PARC, FIELD ASSEMBLED BY OTHERS  
 - (BY OTHERS): PROVIDED AND FIELD ASSEMBLED BY OTHERS

**NOTES:**

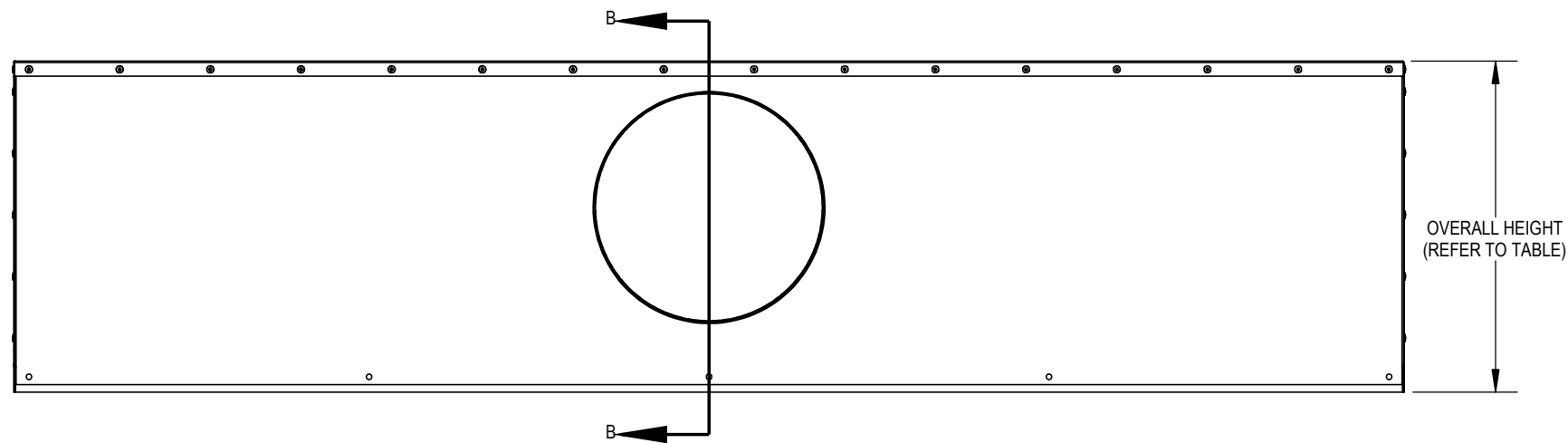
- DIMENSIONS SHOWN IN PARENTHESES ARE FOR REFERENCE ONLY (X.XX)  
 - METRIC DIMENSIONS SHOWN IN BRACKETS [X.XX]  
 - PRODUCT FINISH MAY VARY IN TONE, GLOSS AND TEXTURE; VARIATIONS ARE WITHIN PARC QUALITY STANDARDS  
 - TBC: DETAILS TO BE CONFIRMED



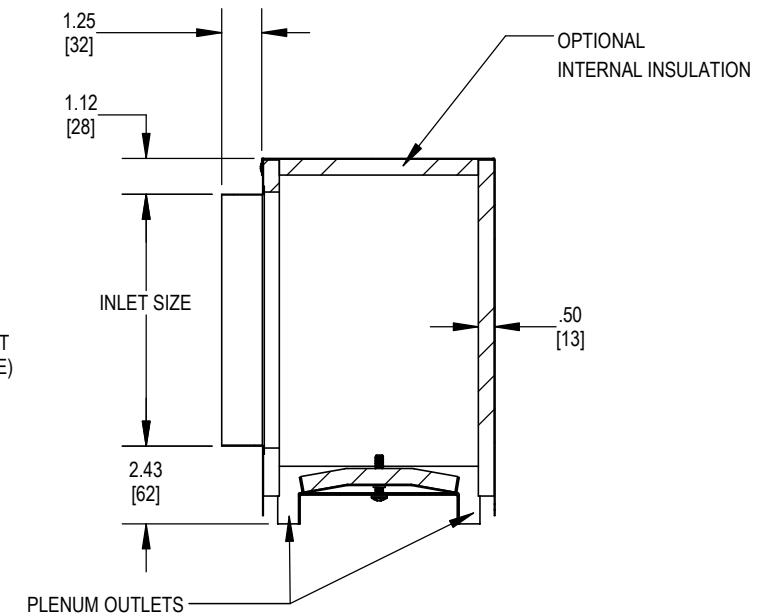
**ISOMETRIC VIEW**



**TOP VIEW**



**FRONT VIEW**



**SECTION B-B**

12 INCH	15.42 [392]
10 INCH	13.42 [341]
8 INCH	11.42 [290]
6 INCH	9.42 [239]
<b>INLET SIZE</b>	<b>OVERALL HEIGHT</b>

A	2022-12-21	VH	JAC
REV	DATE	DRAWN BY	CHECKED BY

ALL DIMENSIONS IN INCHES UNLESS OTHERWISE SPECIFIED

TOLERANCES UNLESS OTHERWISE SPECIFIED			
LINEAR	X.X ± .06	X.XX ± .03	X.XXX ± .01 INCHES
ANGULAR	X ± 1	X.X ± .5	X.XX ± .25 DEGREES

PROJECT

DRAWING TITLE  
**NODE CHANNEL PLENUM**

SUBMITTAL NUMBER	<b>220366</b>	SHEET 2 OF 4	SIZE <b>B</b>
------------------	---------------	--------------	---------------

**CHANNEL INTEGRATION - FLUSH CHANNEL WITH DIFFUSER**



**CONSTRUCTION:**

- GALVANNEALED STEEL, 23 GA, 0.26"

**FINISH:**

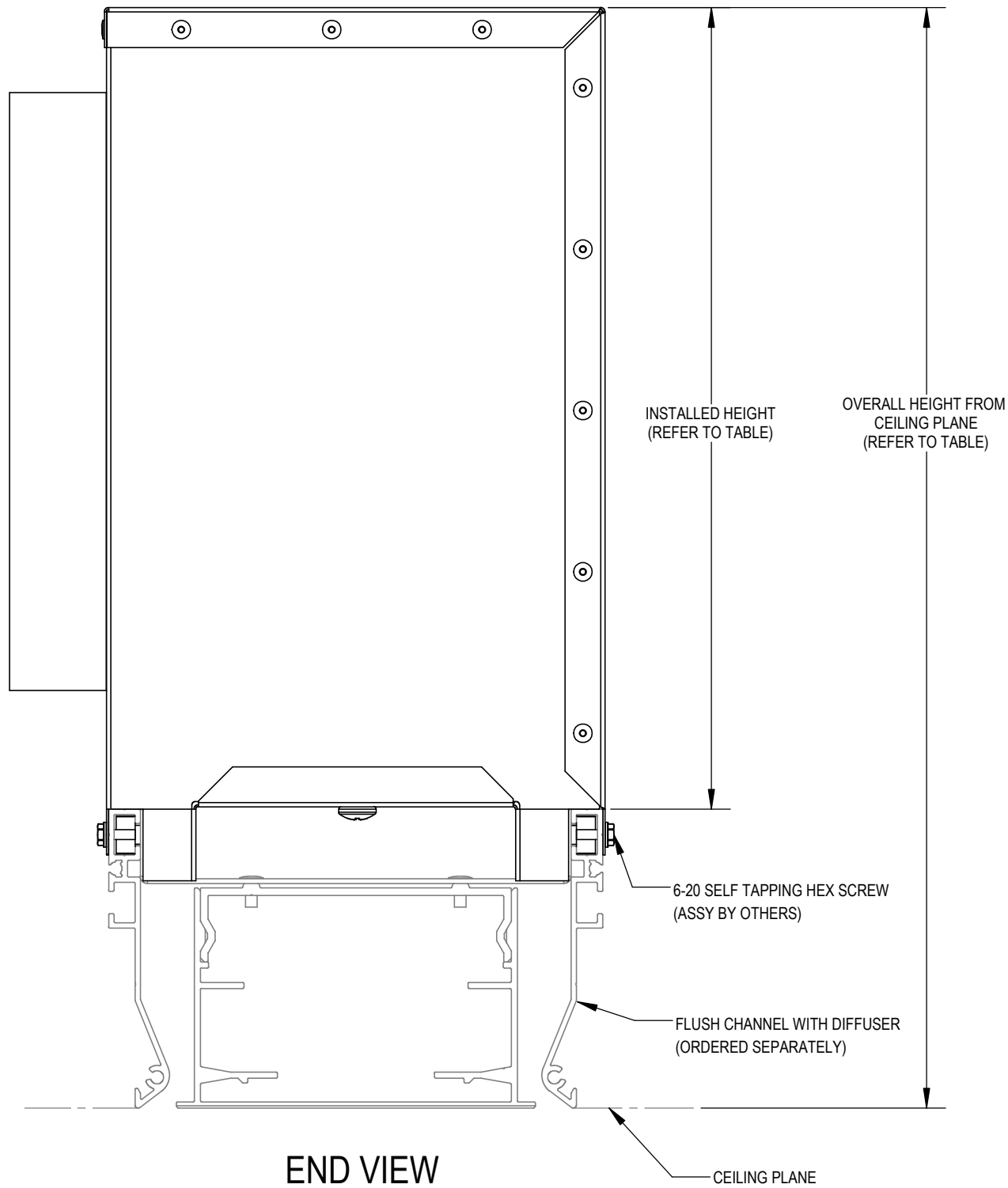
- ALL HARDWARE: MILL FINISH UNLESS OTHERWISE SPECIFIED

**ASSEMBLY AND INSTALLATION**

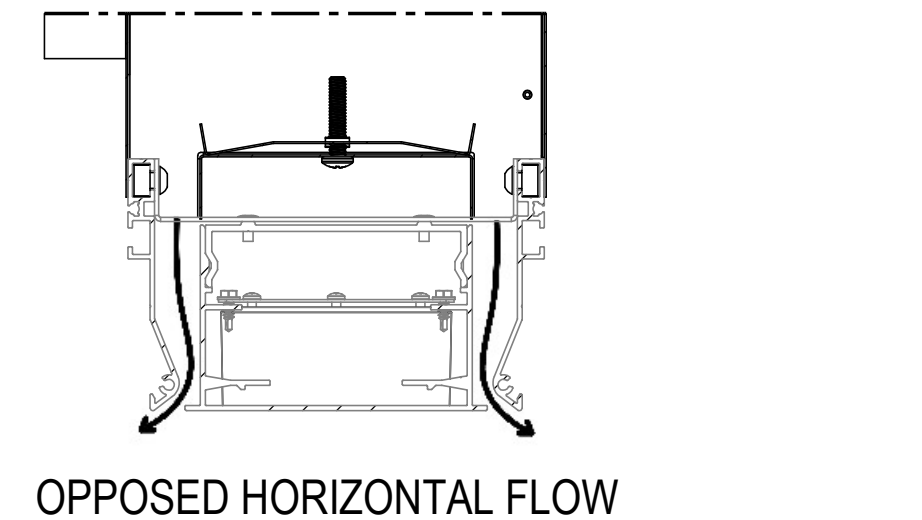
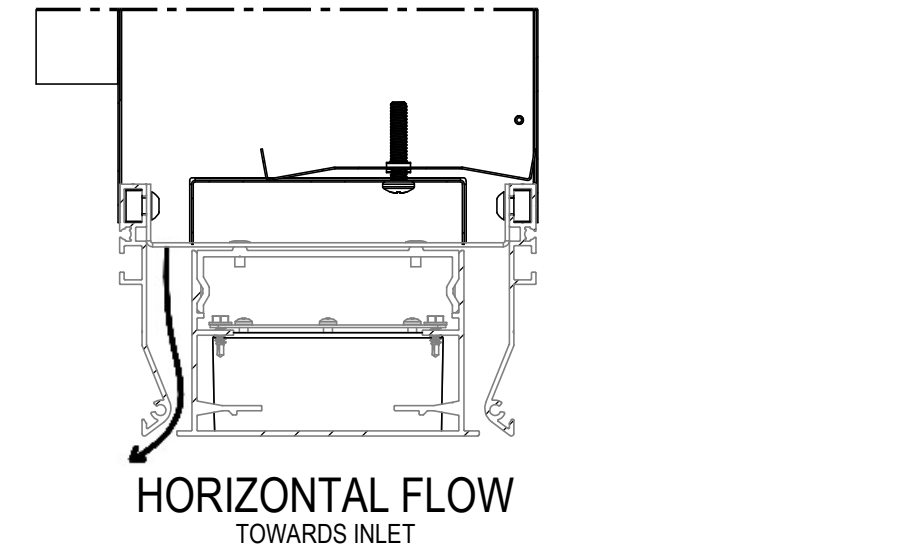
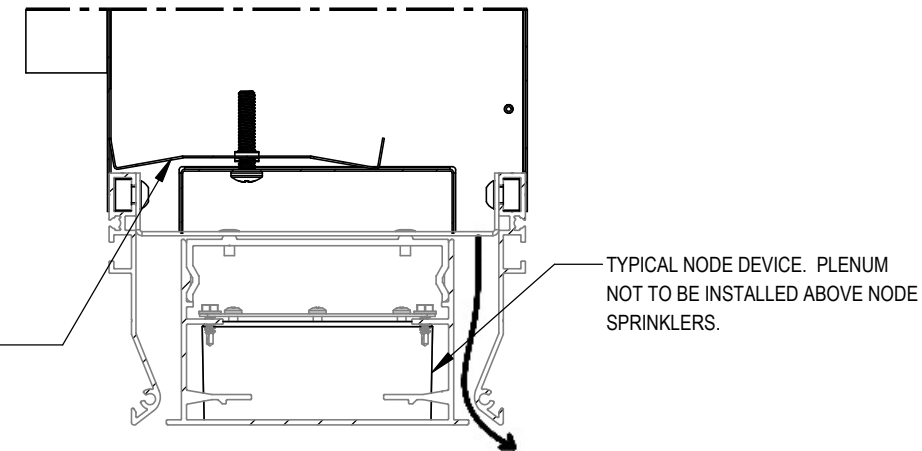
- ALL COMPONENTS SHOWN ARE FACTORY ASSEMBLED BY PARC UNLESS OTHERWISE NOTED  
 - ALL INSTALLATION BY OTHERS AND METHODS SHOWN ARE NOTIONAL  
 - (ASSY BY OTHERS): PROVIDED BY PARC, FIELD ASSEMBLED BY OTHERS  
 - (BY OTHERS): PROVIDED AND FIELD ASSEMBLED BY OTHERS

**NOTES:**

- DIMENSIONS SHOWN IN PARENTHESES ARE FOR REFERENCE ONLY (X.XX)  
 - METRIC DIMENSIONS SHOWN IN BRACKETS [X.XX]  
 - PRODUCT FINISH MAY VARY IN TONE, GLOSS AND TEXTURE; VARIATIONS ARE WITHIN PARC QUALITY STANDARDS  
 - TBC: DETAILS TO BE CONFIRMED



ADJUSTABLE INTERNAL PLATE TO ADJUST AIRFLOW DIRECTION ON SITE AS REQUIRED.



12 INCH	14.56 [370]	18.49 [470]
10 INCH	12.56 [319]	16.49 [419]
8 INCH	10.56 [268]	14.49 [368]
6 INCH	8.56 [217]	12.49 [317]
<b>INLET SIZE</b>	<b>INSTALLED HEIGHT</b>	<b>OVERALL HEIGHT FROM CEILING PLANE</b>

A	2022-12-21	VH	JAC
REV	DATE	DRAWN BY	CHECKED BY

ALL DIMENSIONS IN INCHES UNLESS OTHERWISE SPECIFIED

TOLERANCES UNLESS OTHERWISE SPECIFIED			
LINEAR	X.X ±.06	X.XX ±.03	X.XXX ±.01
ANGULAR	X ±1	X.X ±.5	X.XX ±.25
			DEGREES

PROJECT

DRAWING TITLE  
**NODE CHANNEL PLENUM**

SUBMITTAL NUMBER	<b>220366</b>	SHEET 3 OF 4	SIZE <b>B</b>
------------------	---------------	--------------	---------------

© COPYRIGHT PRICE INDUSTRIES 2022

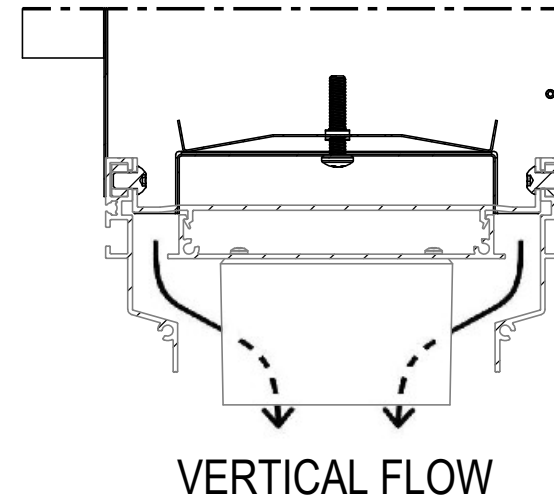
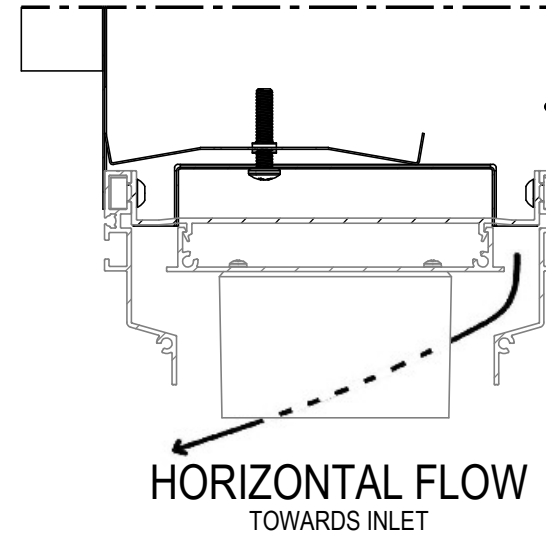
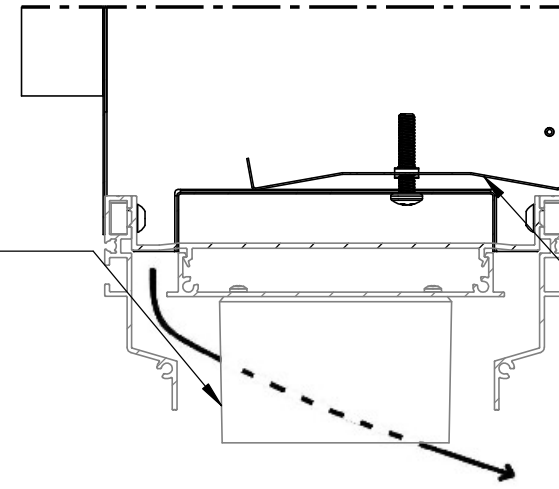
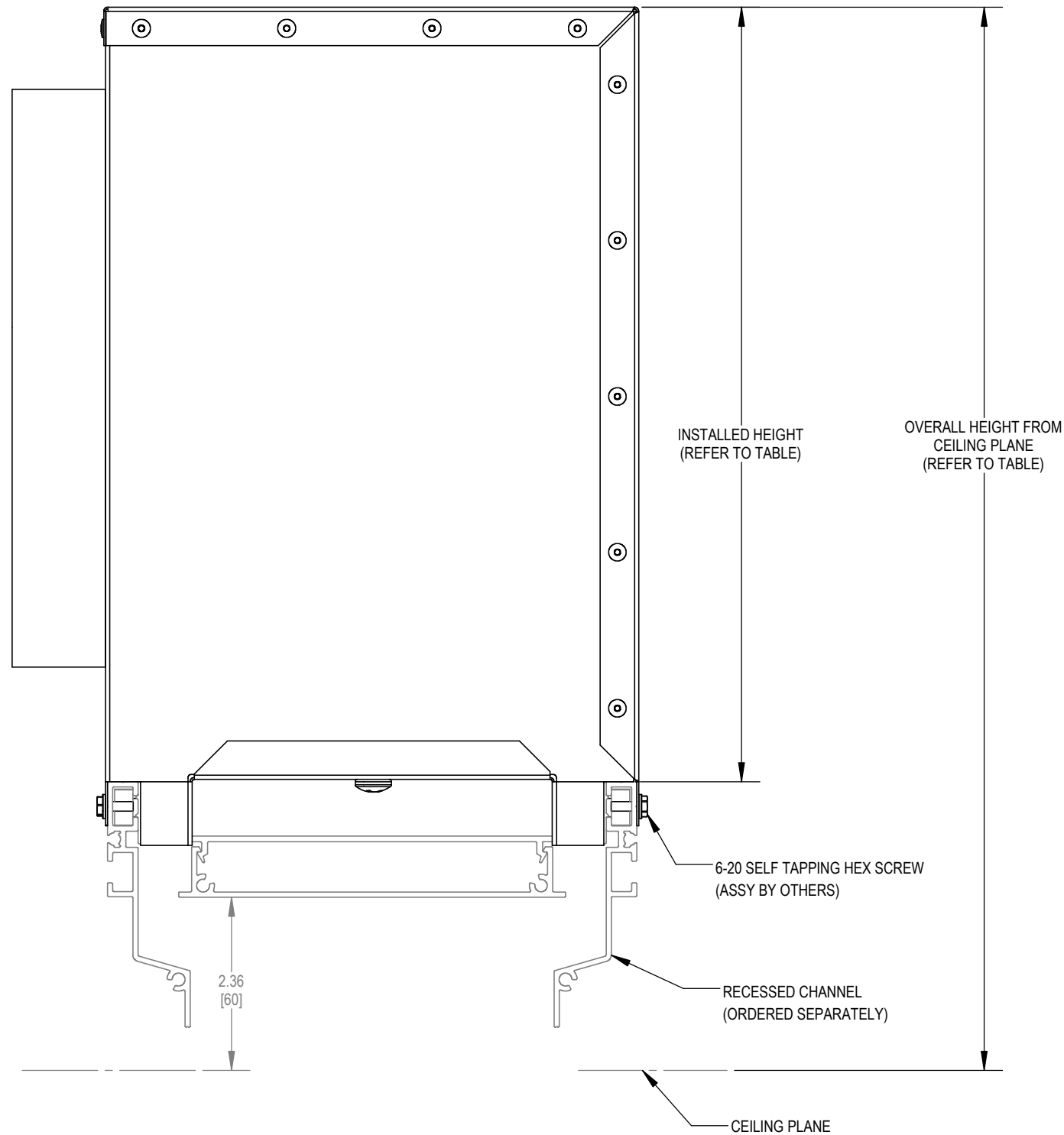
A B C D E

**CHANNEL INTEGRATION - RECESSED CHANNEL**



TYPICAL NODE DEVICE. AIRFLOW DIRECTION  
PASSES AROUND NODE DEVICES. PLENUM  
NOT TO BE INSTALLED ABOVE NODE  
SPRINKLERS AND LINEAR LIGHTS

ADJUSTABLE INTERNAL PLATE  
TO ADJUST AIRFLOW  
DIRECTION ON SITE AS  
REQUIRED.



**CONSTRUCTION:**

- GALVANNEALED STEEL, 23 GA, 0.26"

**FINISH:**

- ALL HARDWARE: MILL FINISH UNLESS OTHERWISE SPECIFIED

**ASSEMBLY AND INSTALLATION**

- ALL COMPONENTS SHOWN ARE FACTORY ASSEMBLED BY PARC UNLESS OTHERWISE NOTED
- ALL INSTALLATION BY OTHERS AND METHODS SHOWN ARE NOTIONAL
- (ASSY BY OTHERS): PROVIDED BY PARC, FIELD ASSEMBLED BY OTHERS
- (BY OTHERS): PROVIDED AND FIELD ASSEMBLED BY OTHERS

**NOTES:**

- DIMENSIONS SHOWN IN PARENTHESES ARE FOR REFERENCE ONLY (X.XX)
- METRIC DIMENSIONS SHOWN IN BRACKETS [X.XX]
- PRODUCT FINISH MAY VARY IN TONE, GLOSS AND TEXTURE; VARIATIONS ARE WITHIN PARC QUALITY STANDARDS
- TBC: DETAILS TO BE CONFIRMED

A	2022-12-21	VH	JAC
REV	DATE	DRAWN BY	CHECKED BY

ALL DIMENSIONS IN INCHES UNLESS OTHERWISE SPECIFIED

TOLERANCES UNLESS OTHERWISE SPECIFIED			
LINEAR	X.X ±.06	X.XX ±.03	X.XXX ±.01 INCHES
ANGULAR	X ±1	X.X ±.5	X.XX ±.25 DEGREES

PROJECT

DRAWING TITLE  
**NODE CHANNEL PLENUM**

SUBMITTAL NUMBER	<b>220366</b>	SHEET 4 OF 4	SIZE <b>B</b>
------------------	---------------	--------------	---------------

© COPYRIGHT PRICE INDUSTRIES 2022

12 INCH	14.56 [370]	18.49 [470]
10 INCH	12.56 [319]	16.49 [419]
8 INCH	10.56 [268]	14.49 [368]
6 INCH	8.56 [217]	12.49 [317]
<b>INLET SIZE</b>	<b>INSTALLED HEIGHT</b>	<b>OVERALL HEIGHT FROM CEILING PLANE</b>

A B C D E