

# SUBMITTAL

## GENERAL CONSTRUCTION - FLUSH CHANNEL PLENUM

### PROJECT CHECKLIST

TAG: \_\_\_\_\_  
 QUANTITY: \_\_\_\_\_

### STYLE:

- FLUSH CHANNEL WITH DIFFUSER
- RECESSED CHANNEL

### INLET SIZE:

- 6 INCH
- 8 INCH
- 10 INCH
- 12 INCH

### LENGTH:

- 24 INCH
- 48 INCH
- 60 INCH
- 600 MM
- 1200 MM
- 1500 MM

### CONFIGURATION:

- HORIZONTAL FLOW
- OPPOSED HORIZONTAL FLOW (FLUSH ONLY)
- VERTICAL FLOW (RECESSED ONLY)

### DISCHARGE ORIENTATION:

- AWAY FROM INLET
- TOWARDS INLET

### INSULATION:

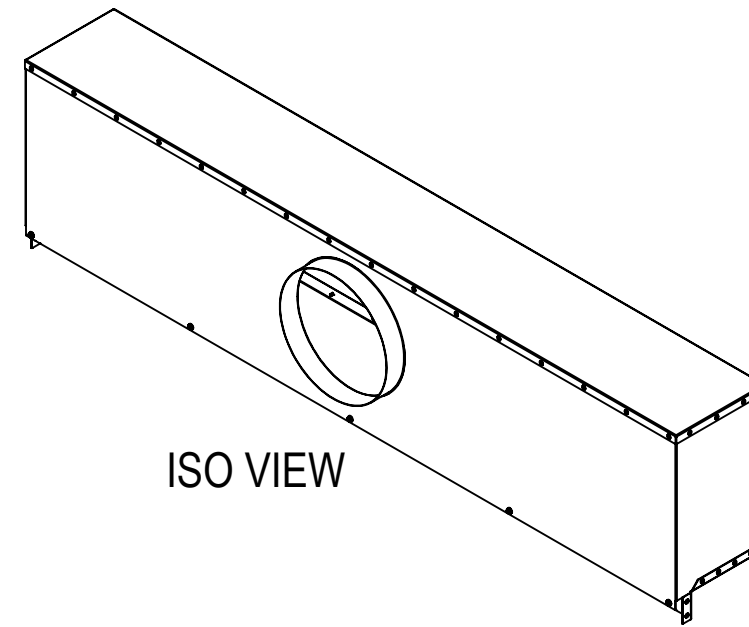
- NONE
- 0.5 INCH FIBER FREE (INTERNAL)

### FINISH:

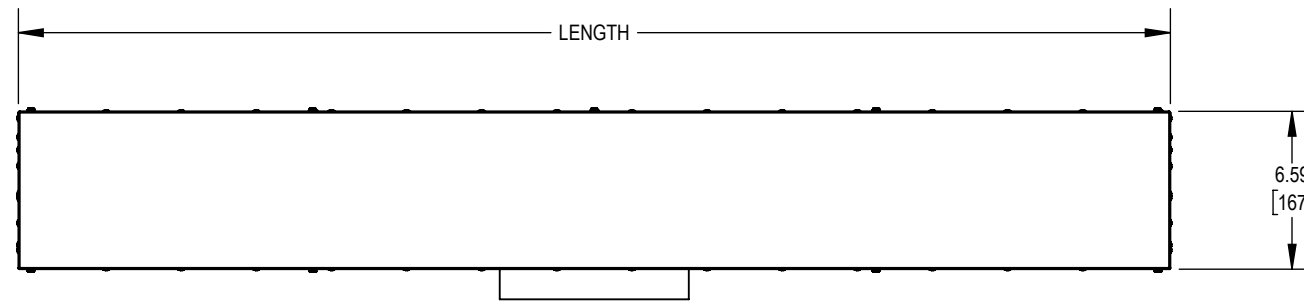
- POWDER COAT
- MILL

### COLOUR:

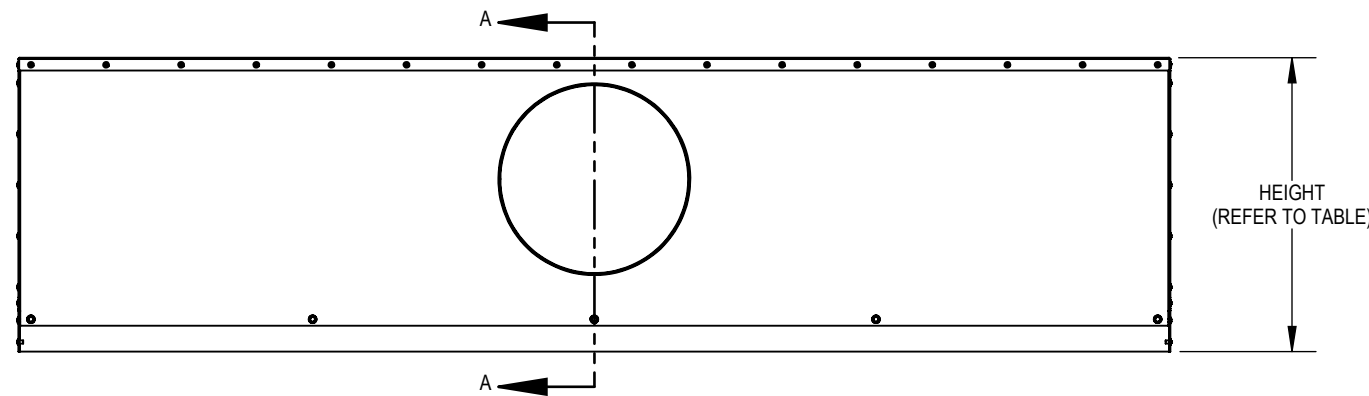
- BLACK
- WASHED MILL



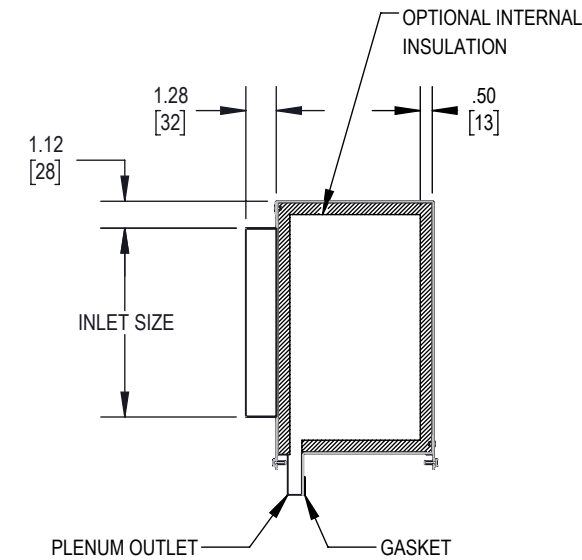
ISO VIEW



TOP VIEW



FRONT VIEW



SECTION A-A

12 INCH	16.25 [413]
10 INCH	14.25 [362]
8 INCH	12.25 [311]
6 INCH	10.25 [260]

INLET SIZE	HEIGHT
------------	--------



PARC-CEILING.COM

### CONSTRUCTION:

- PLENUM
- o GALVANNEALED STEEL, 23 GA

### FINISH:

- ALL HARDWARE: MILL FINISH UNLESS OTHERWISE SPECIFIED

### ASSEMBLY AND INSTALLATION

- ALL COMPONENTS SHOWN ARE FACTORY ASSEMBLED BY PARC UNLESS OTHERWISE NOTED
- ALL INSTALLATION BY OTHERS AND METHODS SHOWN ARE NOTIONAL
- (ASSY BY OTHERS): PROVIDED BY PARC, FIELD ASSEMBLED BY OTHERS
- (BY OTHERS): PROVIDED AND FIELD ASSEMBLED BY OTHERS

### NOTES:

- DIMENSIONS SHOWN IN PARENTHESES ARE FOR REFERENCE ONLY (X.XX)
- METRIC DIMENSIONS SHOWN IN BRACKETS [X.XX]
- PRODUCT FINISH MAY VARY IN TONE, GLOSS AND TEXTURE; VARIATIONS ARE WITHIN PARC QUALITY STANDARDS
- TBC: DETAILS TO BE CONFIRMED

B	09/16/2024	JAC	MJS
A	12/21/2022	VH	JAC
REV	DATE	DRAWN BY	CHECKED BY

ALL DIMENSIONS IN INCHES UNLESS OTHERWISE SPECIFIED

TOLERANCES UNLESS OTHERWISE SPECIFIED			
LINEAR	X.X ± .06	X.XX ± .03	X.XXX ± .01
ANGULAR	X ± 1	X.X ± .5	X.XX ± .25
			DEGREES

PROJECT **NODE**

DRAWING TITLE **PLENUM**

SUBMITTAL NUMBER	<b>220366</b>	SHEET 1 OF 4	SIZE <b>B</b>
------------------	---------------	--------------	---------------

© COPYRIGHT LINDNER CANADA 2024

1

2

3

A

B

C

D

E

GENERAL CONSTRUCTION - RECESSED CHANNEL PLENUM



PARC-CEILINGS.COM

**CONSTRUCTION:**

- PLENUM
  - o GALVANNEALED STEEL, 23 GA

**FINISH:**

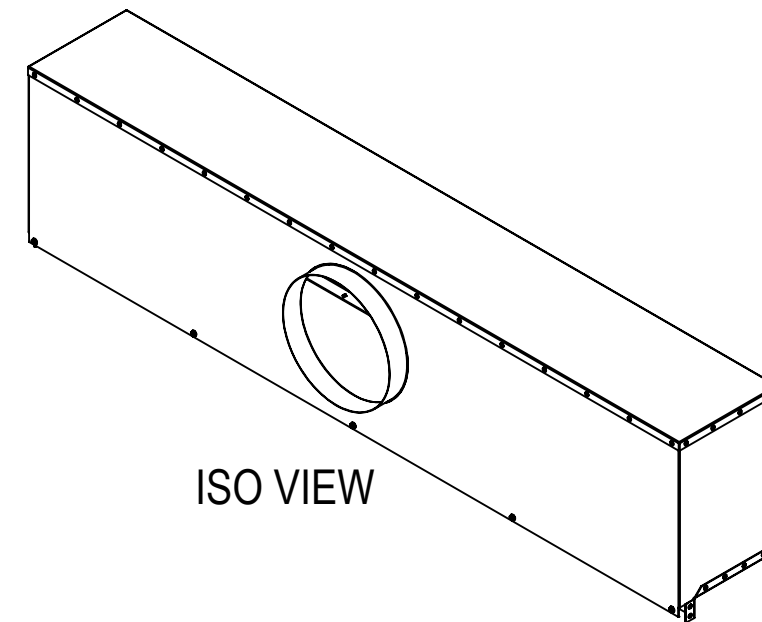
- ALL HARDWARE: MILL FINISH UNLESS OTHERWISE SPECIFIED

**ASSEMBLY AND INSTALLATION**

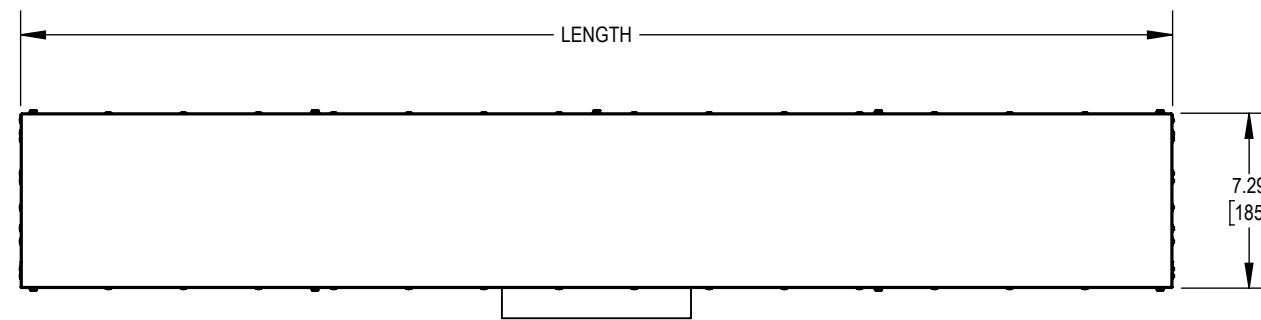
- ALL COMPONENTS SHOWN ARE FACTORY ASSEMBLED BY PARC UNLESS OTHERWISE NOTED
- ALL INSTALLATION BY OTHERS AND METHODS SHOWN ARE NOTIONAL
- (ASSY BY OTHERS): PROVIDED BY PARC, FIELD ASSEMBLED BY OTHERS
- (BY OTHERS): PROVIDED AND FIELD ASSEMBLED BY OTHERS

**NOTES:**

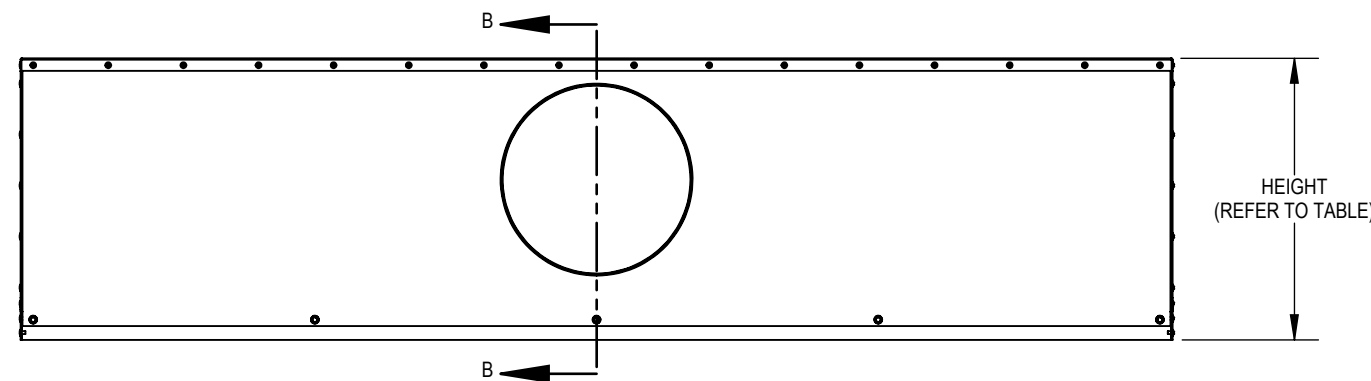
- DIMENSIONS SHOWN IN PARENTHESES ARE FOR REFERENCE ONLY (X.XX)
- METRIC DIMENSIONS SHOWN IN BRACKETS [X.XX]
- PRODUCT FINISH MAY VARY IN TONE, GLOSS AND TEXTURE; VARIATIONS ARE WITHIN PARC QUALITY STANDARDS
- TBC: DETAILS TO BE CONFIRMED



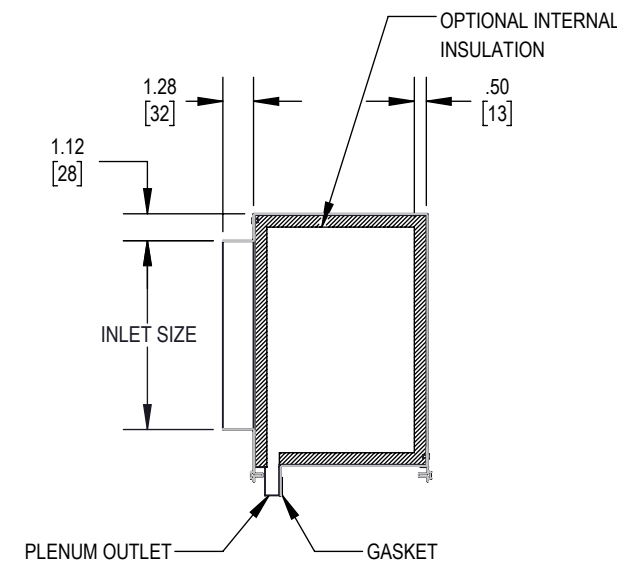
ISO VIEW



TOP VIEW



FRONT VIEW



SECTION B-B

12 INCH	15.75 [400]
10 INCH	13.75 [349]
8 INCH	11.75 [298]
6 INCH	9.75 [247]
<b>INLET SIZE</b>	<b>HEIGHT</b>

B	09/16/2024	JAC	MJS
A	12/21/2022	VH	JAC
REV	DATE	DRAWN BY	CHECKED BY

ALL DIMENSIONS IN INCHES UNLESS OTHERWISE SPECIFIED

TOLERANCES UNLESS OTHERWISE SPECIFIED			
LINEAR	X.X ± .06	X.XX ± .03	X.XXX ± .01
ANGULAR	X ± 1	X.X ± .5	X.XX ± .25
			INCHES
			DEGREES

PROJECT **NODE**

DRAWING TITLE **PLENUM**

SUBMITTAL NUMBER	<b>220366</b>	SHEET 2 OF 4	SIZE <b>B</b>
------------------	---------------	--------------	---------------

**CHANNEL INTEGRATION - FLUSH CHANNEL PLENUM**



PARC-CEILINGS.COM

**CONSTRUCTION:**

- PLENUM
  - o GALVANNEALED STEEL, 23 GA

**FINISH:**

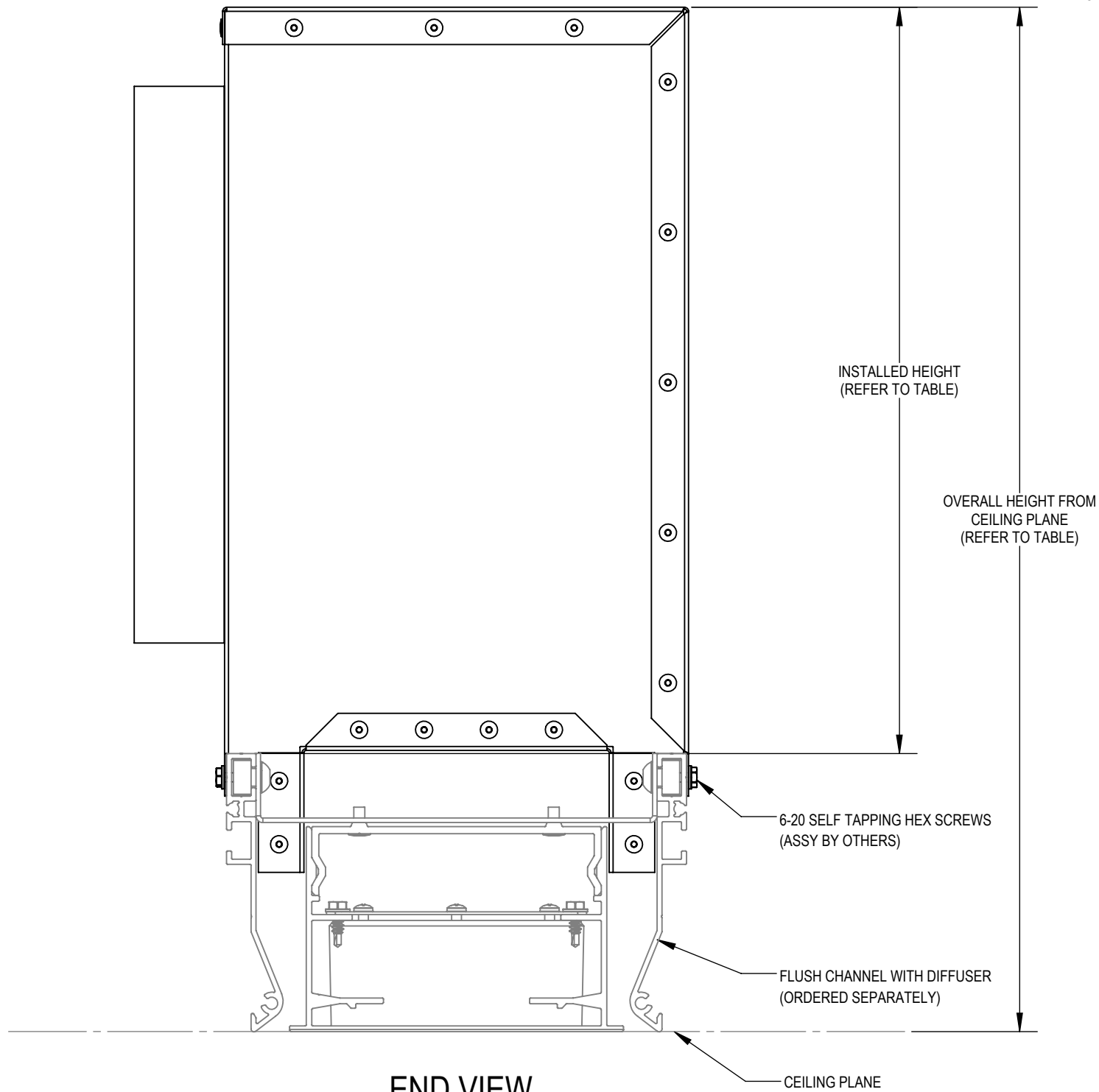
- ALL HARDWARE: MILL FINISH UNLESS OTHERWISE SPECIFIED

**ASSEMBLY AND INSTALLATION**

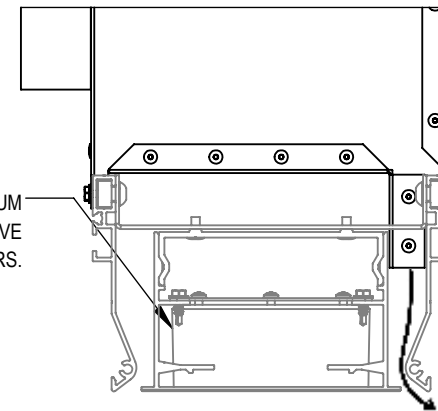
- ALL COMPONENTS SHOWN ARE FACTORY ASSEMBLED BY PARC UNLESS OTHERWISE NOTED
- ALL INSTALLATION BY OTHERS AND METHODS SHOWN ARE NOTIONAL
- (ASSY BY OTHERS): PROVIDED BY PARC, FIELD ASSEMBLED BY OTHERS
- (BY OTHERS): PROVIDED AND FIELD ASSEMBLED BY OTHERS

**NOTES:**

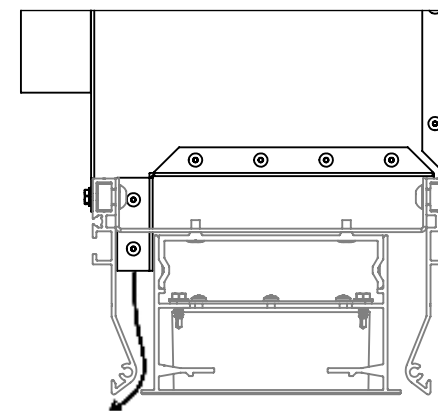
- DIMENSIONS SHOWN IN PARENTHESES ARE FOR REFERENCE ONLY (X.XX)
- METRIC DIMENSIONS SHOWN IN BRACKETS [X.XX]
- PRODUCT FINISH MAY VARY IN TONE, GLOSS AND TEXTURE; VARIATIONS ARE WITHIN PARC QUALITY STANDARDS
- TBC: DETAILS TO BE CONFIRMED



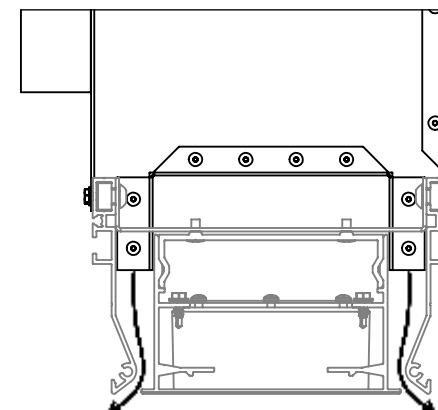
TYPICAL NODE DEVICE. PLENUM NOT TO BE INSTALLED ABOVE NODE SPRINKLERS.



**HORIZONTAL FLOW AWAY FROM INLET**



**HORIZONTAL FLOW TOWARDS INLET**



**OPPOSED HORIZONTAL FLOW**

12 INCH	14.56 [370]	18.49 [470]
10 INCH	12.56 [319]	16.49 [419]
8 INCH	10.56 [268]	14.49 [368]
6 INCH	8.56 [217]	12.49 [317]
<b>INLET SIZE</b>	<b>INSTALLED HEIGHT</b>	<b>OVERALL HEIGHT FROM CEILING PLANE</b>

B	09/16/2024	JAC	MJS
A	12/21/2022	VH	JAC
REV	DATE	DRAWN BY	CHECKED BY

ALL DIMENSIONS IN INCHES UNLESS OTHERWISE SPECIFIED

TOLERANCES UNLESS OTHERWISE SPECIFIED			
LINEAR	X.X ± .06	X.XX ± .03	X.XXX ± .01
ANGULAR	X ± 1	X.X ± .5	X.XX ± .25
			DEGREES

PROJECT **NODE**

DRAWING TITLE **PLENUM**

SUBMITTAL NUMBER	<b>220366</b>	SHEET 3 OF 4	SIZE <b>B</b>
© COPYRIGHT LINDNER CANADA 2024			

**CHANNEL INTEGRATION - RECESSED CHANNEL PLENUM**



PARC-CEILINGS.COM

**CONSTRUCTION:**

- PLENUM
  - o GALVANNEALED STEEL, 23 GA

**FINISH:**

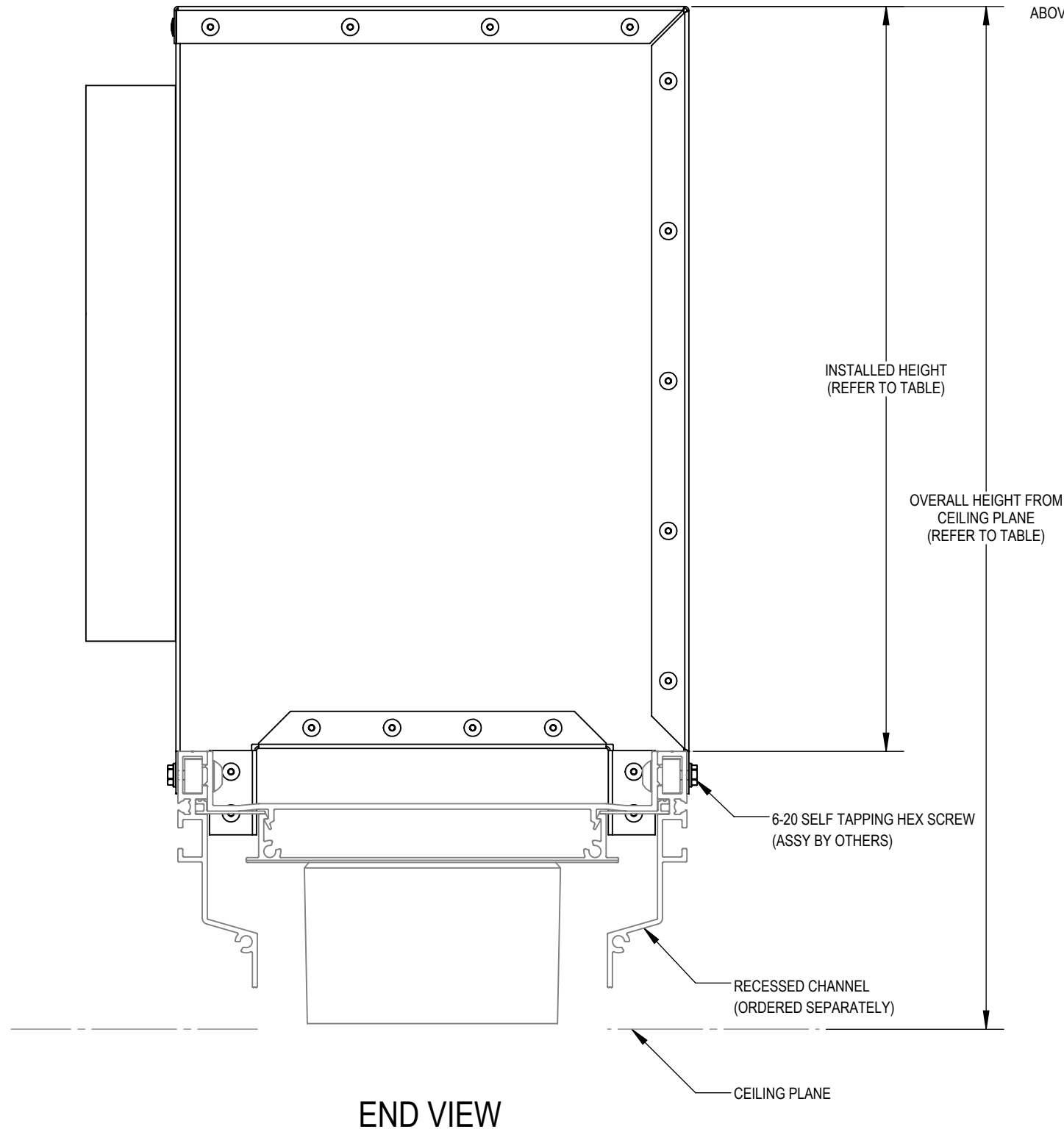
- ALL HARDWARE: MILL FINISH UNLESS OTHERWISE SPECIFIED

**ASSEMBLY AND INSTALLATION**

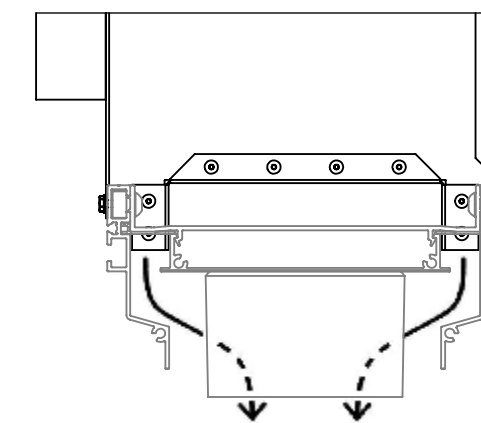
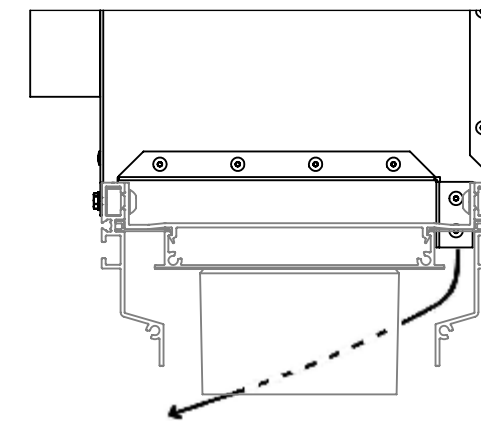
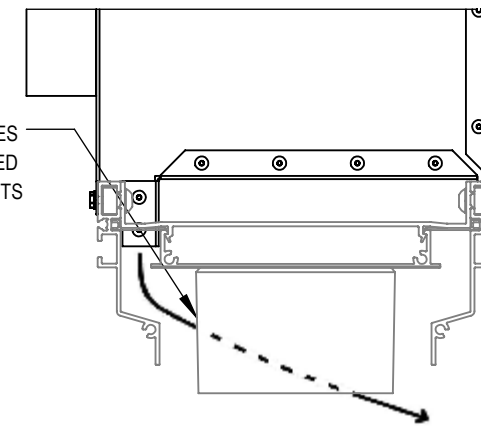
- ALL COMPONENTS SHOWN ARE FACTORY ASSEMBLED BY PARC UNLESS OTHERWISE NOTED
- ALL INSTALLATION BY OTHERS AND METHODS SHOWN ARE NOTIONAL
- (ASSY BY OTHERS): PROVIDED BY PARC, FIELD ASSEMBLED BY OTHERS
- (BY OTHERS): PROVIDED AND FIELD ASSEMBLED BY OTHERS

**NOTES:**

- DIMENSIONS SHOWN IN PARENTHESES ARE FOR REFERENCE ONLY (X.XX)
- METRIC DIMENSIONS SHOWN IN BRACKETS [X.XX]
- PRODUCT FINISH MAY VARY IN TONE, GLOSS AND TEXTURE; VARIATIONS ARE WITHIN PARC QUALITY STANDARDS
- TBC: DETAILS TO BE CONFIRMED



TYPICAL NODE DEVICE. AIRFLOW PASSES AROUND DEVICE. PLENUM NOT TO BE INSTALLED ABOVE SPRINKLERS AND LINEAR LIGHTS



12 INCH	14.56 [370]	18.49 [470]
10 INCH	12.56 [319]	16.49 [419]
8 INCH	10.56 [268]	14.49 [368]
6 INCH	8.56 [217]	12.49 [317]
<b>INLET SIZE</b>	<b>INSTALLED HEIGHT</b>	<b>OVERALL HEIGHT FROM CEILING PLANE</b>

B	09/16/2024	JAC	MJS
A	12/21/2022	VH	JAC
REV	DATE	DRAWN BY	CHECKED BY

ALL DIMENSIONS IN INCHES UNLESS OTHERWISE SPECIFIED

TOLERANCES UNLESS OTHERWISE SPECIFIED			
LINEAR	X.X ± .06	X.XX ± .03	X.XXX ± .01
ANGULAR	X ± 1	X.X ± .5	X.XX ± .25
			INCHES DEGREES

PROJECT **NODE**

DRAWING TITLE **PLENUM**

SUBMITTAL NUMBER	<b>220366</b>	SHEET 4 OF 4	SIZE <b>B</b>
------------------	---------------	--------------	---------------