

SUBMITTAL

GENERAL CONSTRUCTION - NODE K1, K3 & K5 DOWNLIGHT

PROJECT CHECKLIST

TAG: _____

QUANTITY: _____

BEAM ANGLE:

- 13° - NARROW
- 24° - MEDIUM
- 48° - WIDE
- 67° - EXTRA WIDE

COLOUR TEMPERATURE:

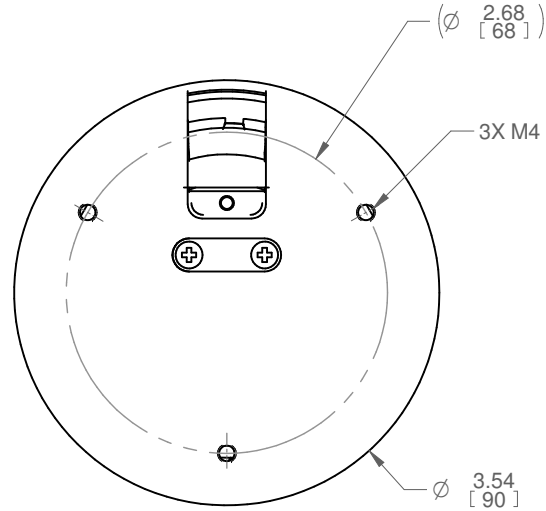
- 3000K
- 3500K
- 4000K

MOUNTING:

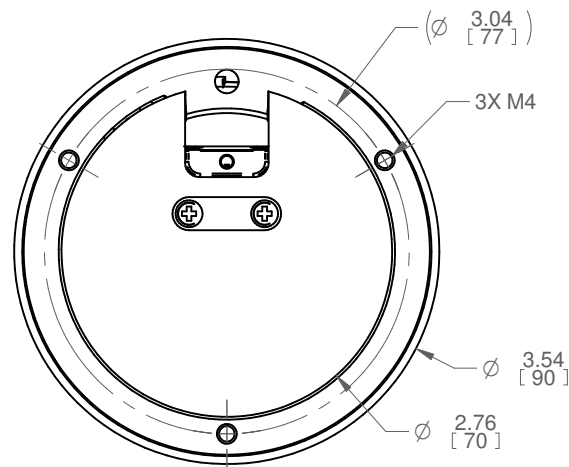
- FLUSH CHANNEL
- RECESSED CHANNEL
- TRIMLESS

FINISH:

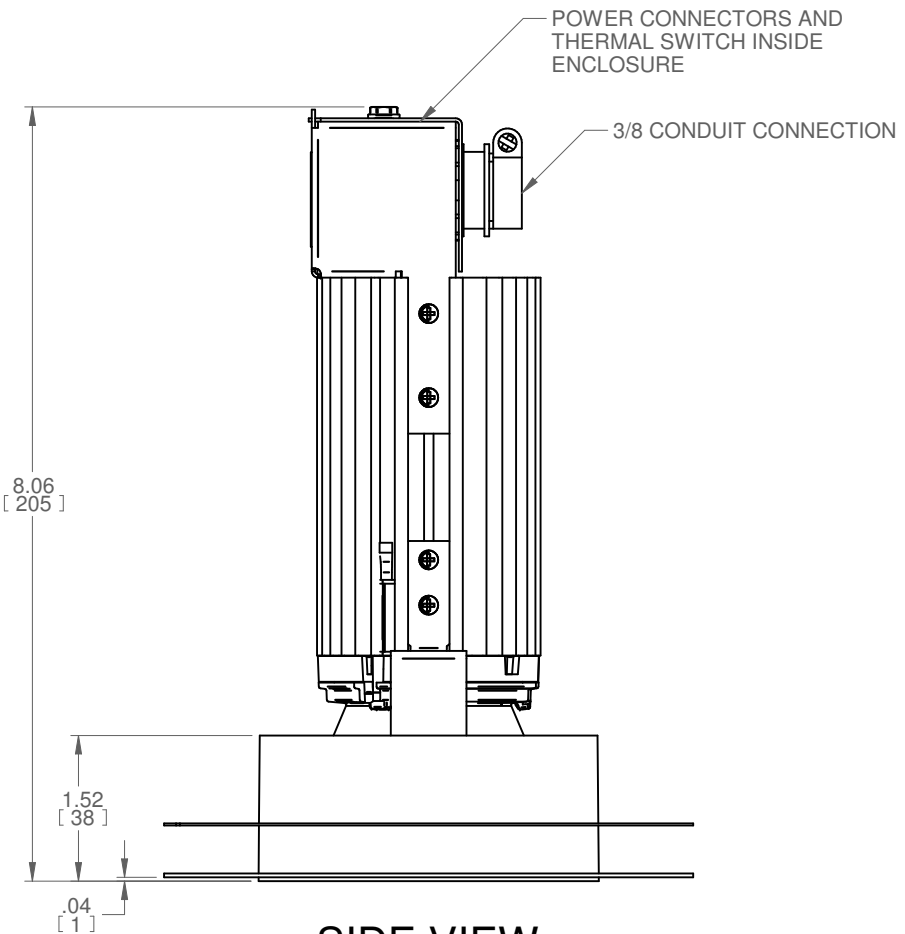
- BLACK - B17
- WHITE - RAL 9016



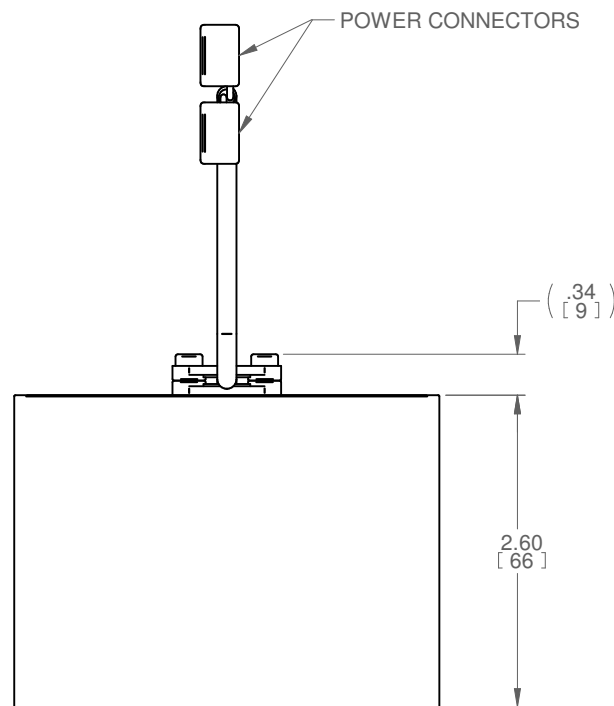
TOP VIEW
FLUSH CHANNEL - K5 DOWNLIGHT



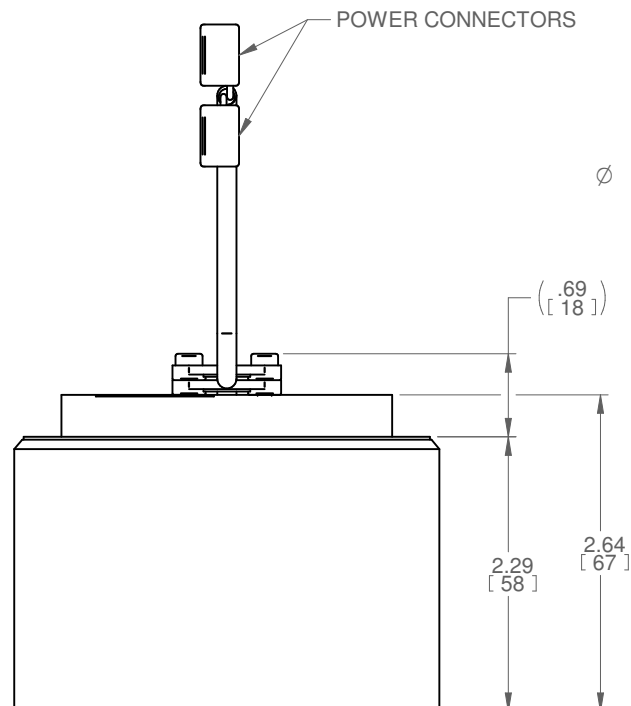
TOP VIEW
RECESSED CHANNEL - K1 DOWNLIGHT



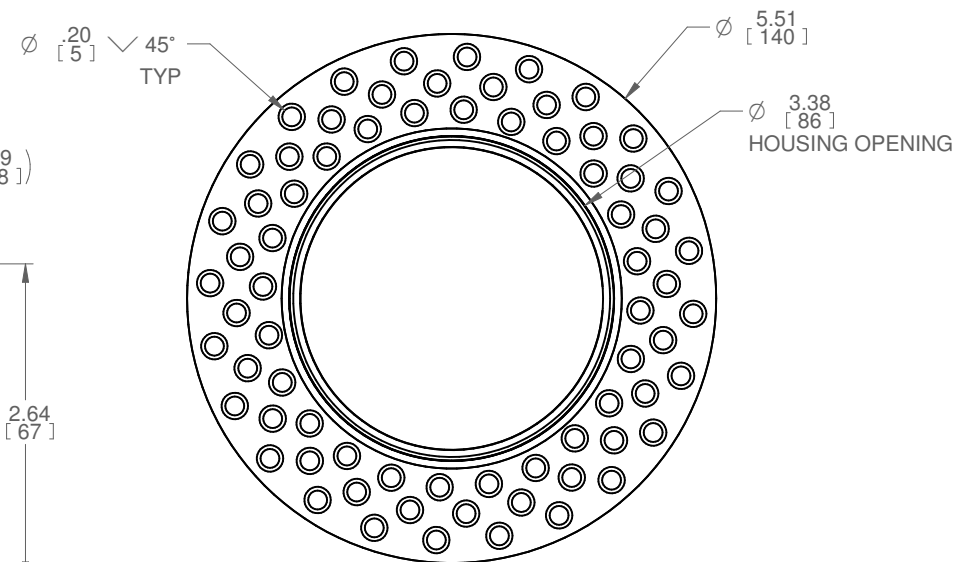
SIDE VIEW
TRIMLESS - K3 DOWNLIGHT



SIDE VIEW
FLUSH CHANNEL - K5 DOWNLIGHT



SIDE VIEW
RECESSED CHANNEL - K1 DOWNLIGHT



BOTTOM VIEW
TRIMLESS - K3 DOWNLIGHT



CONSTRUCTION:

- LUMINAIRE HOUSING
 - o CAST ALUMINUM
 - o MOULDED POLYMER (TRIMLESS VERSION ONLY)
- HEAT SINK (TRIMLESS VERSION ONLY)
 - o EXTRUDED ALUMINUM

FINISH:

- ALL HARDWARE: MILL FINISH UNLESS OTHERWISE SPECIFIED

ELECTRICAL SERVICE

- BY OTHERS, SEE PRODUCT DATASHEET FOR DETAILS

ASSEMBLY AND INSTALLATION

- ALL COMPONENTS SHOWN ARE FACTORY ASSEMBLED BY PARC UNLESS OTHERWISE NOTED
- ALL INSTALLATION BY OTHERS AND METHODS SHOWN ARE NOTIONAL
- (ASSY BY OTHERS): PROVIDED BY PARC, FIELD ASSEMBLED BY OTHERS
- (BY OTHERS): PROVIDED AND FIELD ASSEMBLED BY OTHERS

NOTES:

- DIMENSIONS SHOWN IN PARENTHESES ARE FOR REFERENCE ONLY (X.XX)
- METRIC DIMENSIONS SHOWN IN BRACKETS [X.XX]
- PRODUCT FINISH MAY VARY IN TONE, GLOSS AND TEXTURE; VARIATIONS ARE WITHIN PARC QUALITY STANDARDS
- TBC: DETAILS TO BE CONFIRMED
- K1 DOWNLIGHT - RECESSED CHANNEL
- K3 DOWNLIGHT - TRIMLESS
- K5 DOWNLIGHT - FLUSH CHANNEL
- LISTED CAN/CSA-C22.2 NO.250.0 & UL2108



REV	DATE	DRAWN BY	CHECKED BY
B	2021-09-14	NLD	JAC
A	2020-06-16	NPT	SMB

ALL DIMENSIONS IN INCHES UNLESS OTHERWISE SPECIFIED

TOLERANCES UNLESS OTHERWISE SPECIFIED	LINEAR	ANGULAR
X.X ± .06	X.XX ± .03	X ± 1
X.XXX ± .01	X.XX ± .25	X.XX ± .01

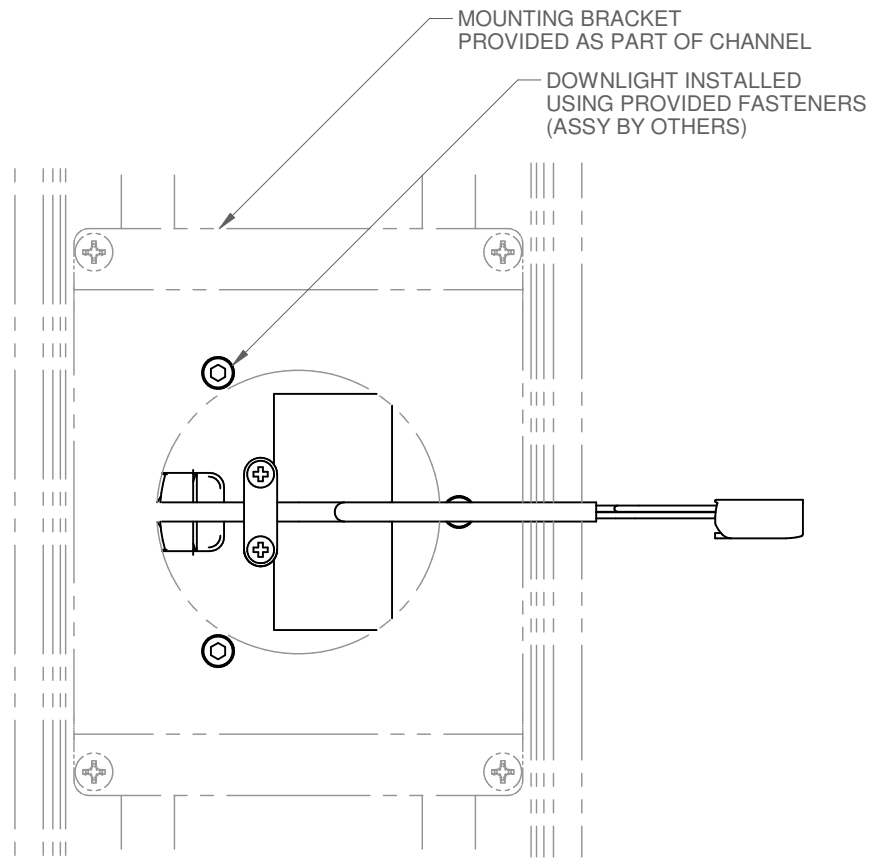
PROJECT

DRAWING TITLE
NODE DOWNLIGHT SUBMITTAL

SUBMITTAL NUMBER	272418	SHEET 1 OF 3	SIZE B
------------------	--------	--------------	--------

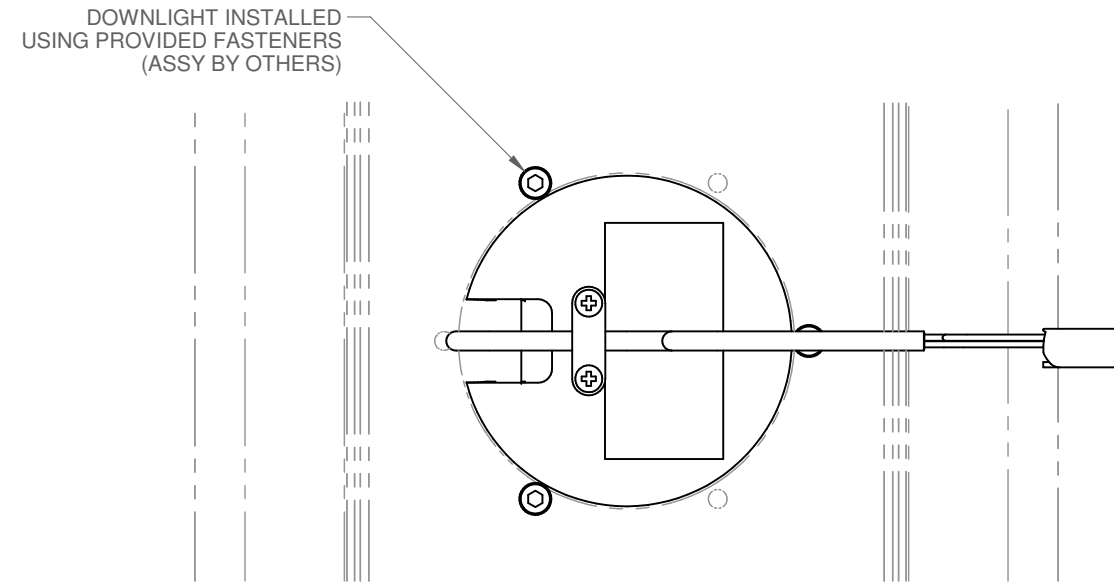
© COPYRIGHT LINDNER CANADA 2024

GENERAL CONSTRUCTION - CHANNEL MOUNTED



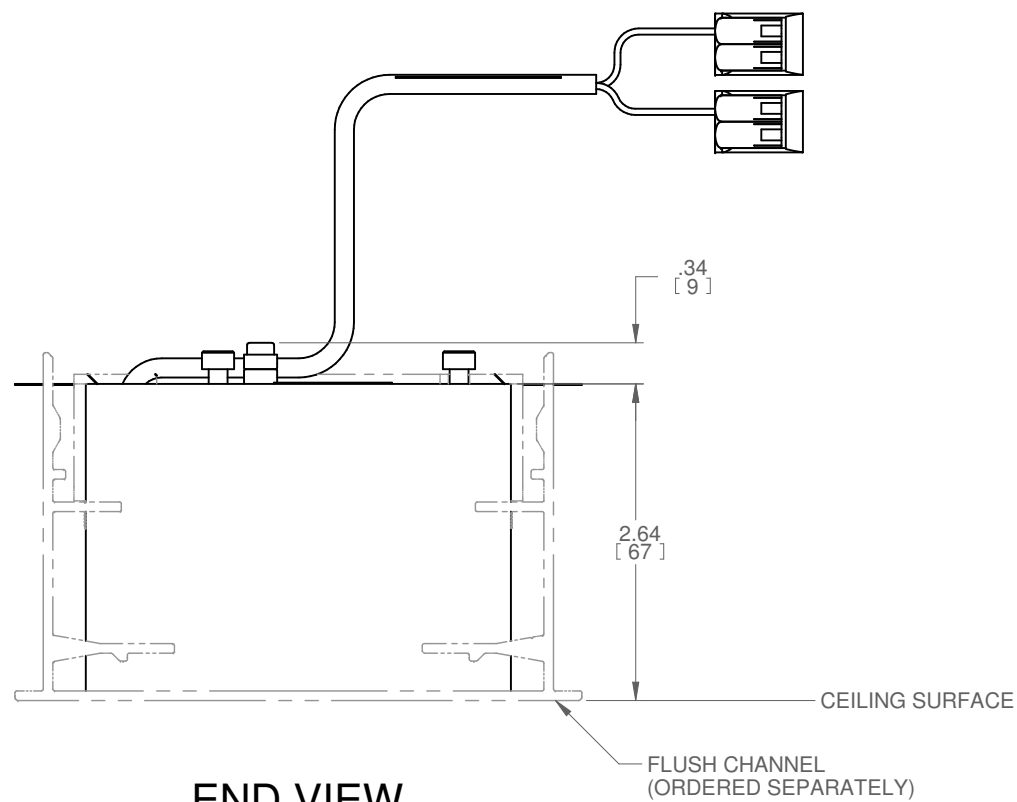
TOP VIEW

FLUSH CHANNEL - K5 DOWNLIGHT



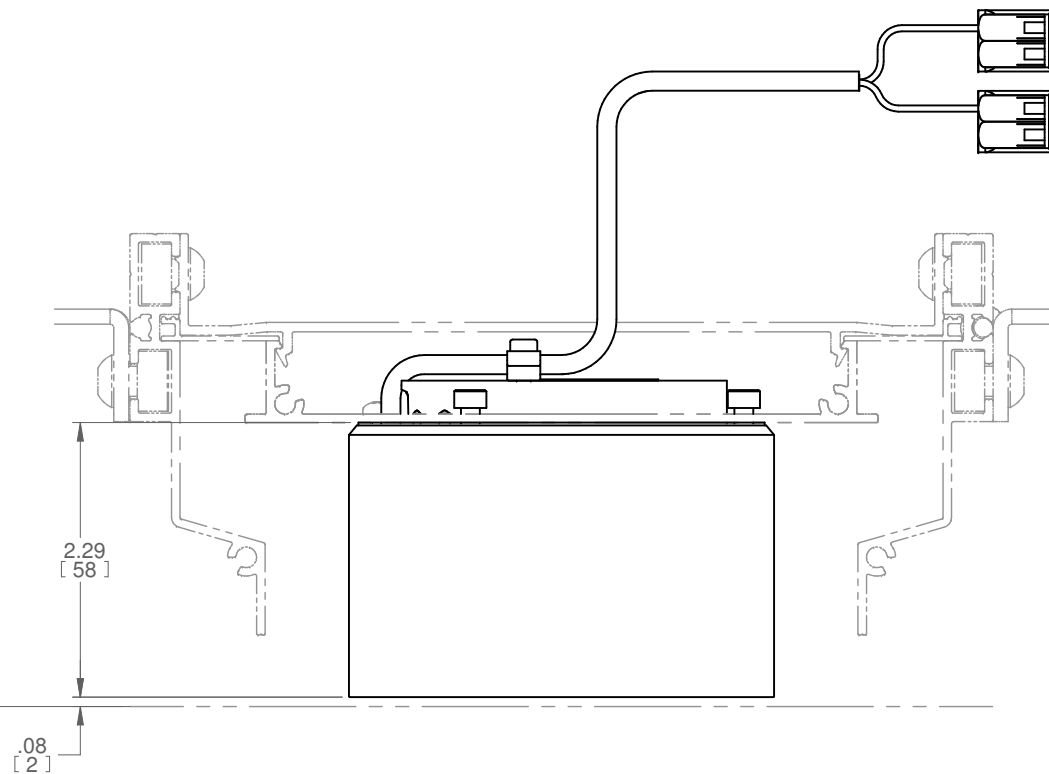
TOP VIEW

RECESSED CHANNEL - K1 DOWNLIGHT



END VIEW

FLUSH CHANNEL - K5 DOWNLIGHT



END VIEW

RECESSED CHANNEL - K1 DOWNLIGHT



CONSTRUCTION:

- LUMINAIRE HOUSING
 - o CAST ALUMINUM
 - o MOULDED POLYMER (TRIMLESS VERSION ONLY)
- HEAT SINK (TRIMLESS VERSION ONLY)
 - o EXTRUDED ALUMINUM

FINISH:

- ALL HARDWARE: MILL FINISH UNLESS OTHERWISE SPECIFIED

ELECTRICAL SERVICE

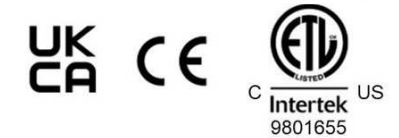
- BY OTHERS, SEE PRODUCT DATASHEET FOR DETAILS

ASSEMBLY AND INSTALLATION

- ALL COMPONENTS SHOWN ARE FACTORY ASSEMBLED BY PARC UNLESS OTHERWISE NOTED
- ALL INSTALLATION BY OTHERS AND METHODS SHOWN ARE NOTIONAL
- (ASSY BY OTHERS): PROVIDED BY PARC, FIELD ASSEMBLED BY OTHERS
- (BY OTHERS): PROVIDED AND FIELD ASSEMBLED BY OTHERS

NOTES:

- DIMENSIONS SHOWN IN PARENTHESES ARE FOR REFERENCE ONLY (X.XX)
- METRIC DIMENSIONS SHOWN IN BRACKETS [X.XX]
- PRODUCT FINISH MAY VARY IN TONE, GLOSS AND TEXTURE; VARIATIONS ARE WITHIN PARC QUALITY STANDARDS
- TBC: DETAILS TO BE CONFIRMED
- K1 DOWNLIGHT - RECESSED CHANNEL
- K3 DOWNLIGHT - TRIMLESS
- K5 DOWNLIGHT - FLUSH CHANNEL
- LISTED CAN/CSA-C22.2 NO.250.0 & UL2108



REV	DATE	DRAWN BY	CHECKED BY
B	2021-09-14	NLD	JAC
A	2020-06-16	NPT	SMB

ALL DIMENSIONS IN INCHES UNLESS OTHERWISE SPECIFIED

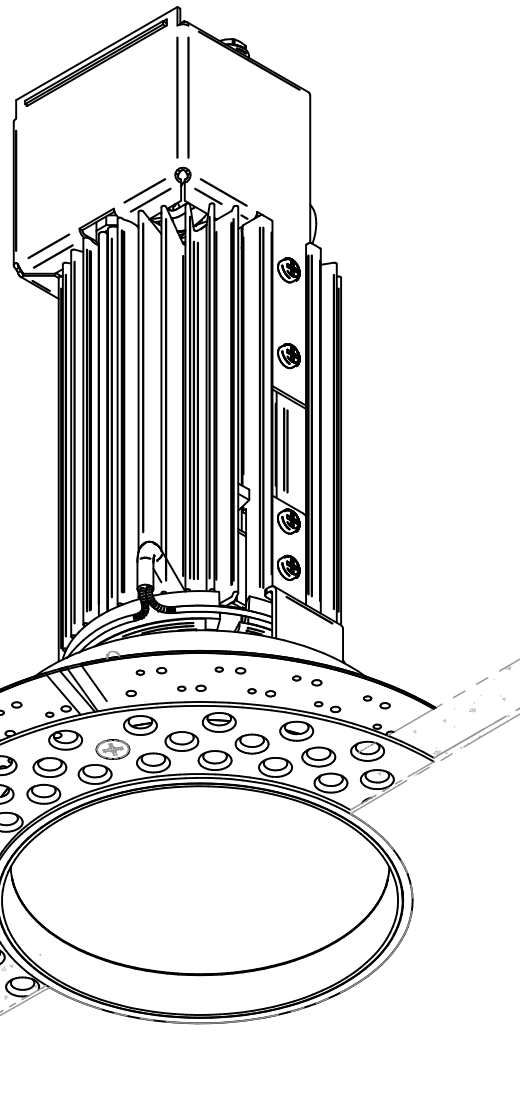
TOLERANCES UNLESS OTHERWISE SPECIFIED	LINEAR	ANGULAR
X.X ± .06	X.XX ± .03	X ± 1
X.XXX ± .01	X.XX ± .25	X.XX ± .01
		DEGREES

PROJECT

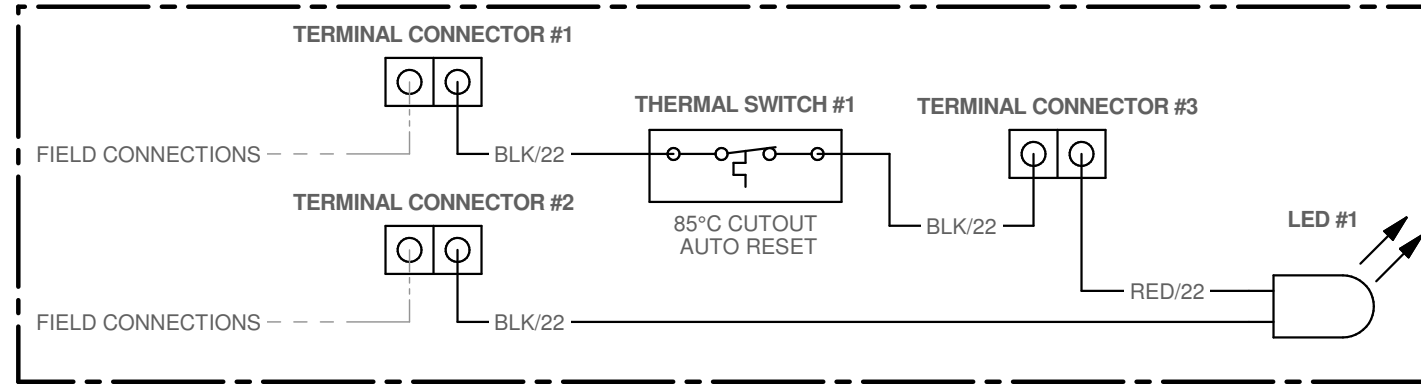
DRAWING TITLE
NODE DOWNLIGHT SUBMITTAL

SUBMITTAL NUMBER	272418	SHEET 2 OF 3	SIZE B
------------------	---------------	--------------	--------

GENERAL CONSTRUCTION - TRIMLESS PLASTER-IN



ISOMETRIC VIEW
TRIMLESS - K3 DOWNLIGHT



ELECTRICAL DIAGRAM
TRIMLESS - K3 DOWNLIGHT

TRIMLESS HOUSING

BACKING RING

HOUSING FASTENED TO CEILING
AT 3 POINTS MINIMUM
(FASTENERS BY OTHERS)

BACKING RING

CEILING
(BY OTHERS)

CEILING SURFACE

.08
[.2]
PLASTER
(BY OTHERS)

DOWNLIGHT INSTALLED
INTO TRIMLESS HOUSING
(ASSY BY OTHERS)

3.75
[95]
RECOMMENDED CUTOUT

CEILING CROSS SECTION
TRIMLESS - K3 DOWNLIGHT

CONSTRUCTION:

- LUMINAIRE HOUSING
 - o CAST ALUMINUM
 - o MOULDED POLYMER (TRIMLESS VERSION ONLY)
- HEAT SINK (TRIMLESS VERSION ONLY)
 - o EXTRUDED ALUMINUM

FINISH:

- ALL HARDWARE: MILL FINISH UNLESS OTHERWISE SPECIFIED

ELECTRICAL SERVICE

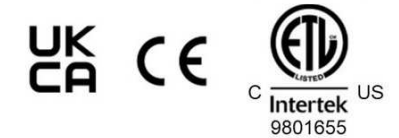
- BY OTHERS, SEE PRODUCT DATASHEET FOR DETAILS

ASSEMBLY AND INSTALLATION

- ALL COMPONENTS SHOWN ARE FACTORY ASSEMBLED BY PARC UNLESS OTHERWISE NOTED
- ALL INSTALLATION BY OTHERS AND METHODS SHOWN ARE NOTIONAL
- (ASSY BY OTHERS): PROVIDED BY PARC, FIELD ASSEMBLED BY OTHERS
- (BY OTHERS): PROVIDED AND FIELD ASSEMBLED BY OTHERS

NOTES:

- DIMENSIONS SHOWN IN PARENTHESES ARE FOR REFERENCE ONLY (X.XX)
- METRIC DIMENSIONS SHOWN IN BRACKETS [X.XX]
- PRODUCT FINISH MAY VARY IN TONE, GLOSS AND TEXTURE; VARIATIONS ARE WITHIN PARC QUALITY STANDARDS
- TBC: DETAILS TO BE CONFIRMED
- K1 DOWNLIGHT - RECESSED CHANNEL
- K3 DOWNLIGHT - TRIMLESS
- K5 DOWNLIGHT - FLUSH CHANNEL
- LISTED CAN/CSA-C22.2 NO.250.0 & UL2108



REV	DATE	DRAWN BY	CHECKED BY
B	2021-09-14	NLD	JAC
A	2020-06-16	NPT	SMB

ALL DIMENSIONS IN INCHES UNLESS OTHERWISE SPECIFIED

TOLERANCES UNLESS OTHERWISE SPECIFIED	LINEAR	ANGULAR
	X.X ± .06	X ± 1
	X.XX ± .03	X.X ± .5
	X.XXX ± .01	X.XX ± .25

PROJECT

DRAWING TITLE
NODE DOWNLIGHT SUBMITTAL

SUBMITTAL NUMBER	272418	SHEET 3 OF 3	SIZE B
------------------	---------------	--------------	--------