

SUBMITTAL

GENERAL CONSTRUCTION - NODE SENSOR

PROJECT CHECKLIST

TAG: _____

QUANTITY: _____

STYLE:

MULTIFUNCTION

OCCUPANCY

CONFIGURATION:

ENLIGHTED

BACNET

DALI

LUTRON

MOUNTING:

FLUSH CHANNEL

RECESSED CHANNEL

TRIMLESS

SURFACE MOUNT

MOUNTING ADAPTER:

NOT REQUIRED

4IN ROUND/OCT DEVICE BOX

20MM CONDUIT JUNCTION BOX

SENSOR COLOR:

BLACK

WHITE

HOUSING COLOR:

BLACK POLYMER - B17

WHITE POLYMER - RAL 9016

DEVICE FACE FINISH:

TEXTURED POLYMER

POWDER COAT

ANODIZED

COLOR:

BLACK POLYMER - B17 (TEXTURED POLYMER)

WHITE POLYMER - RAL 9016 (TEXTURED POLYMER)

BLACK - PRICE B17 (POWDER COAT)

WHITE - RAL 9016 (POWDER COAT)

CLEAR - SATIN (ANODIZED)

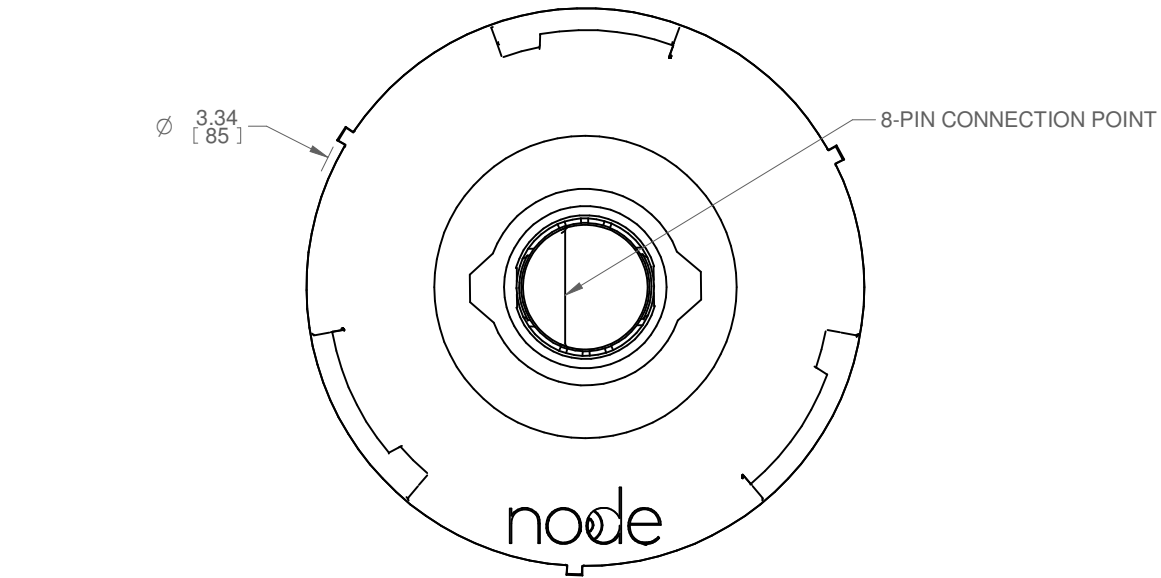
CHAMPAGNE - SATIN (ANODIZED)

LIGHT BRONZE - SATIN (ANODIZED)

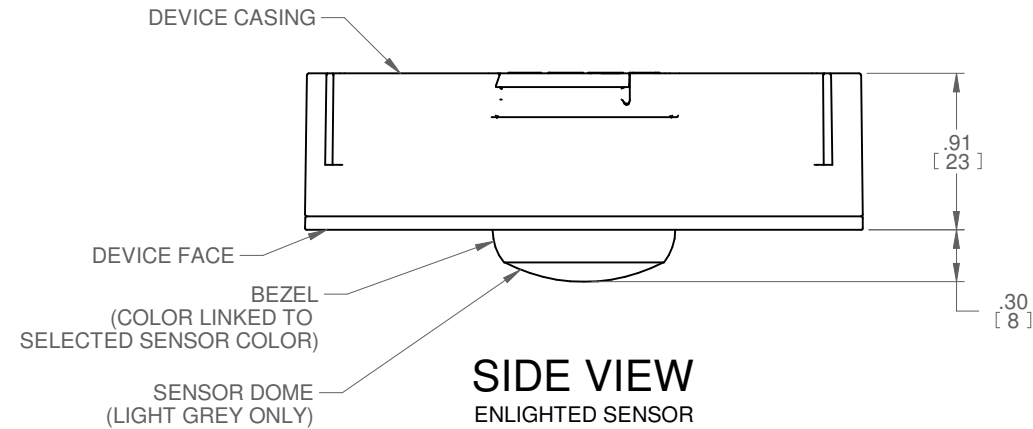
MEDIUM BRONZE - SATIN (ANODIZED)

DARK BRONZE - SATIN (ANODIZED)

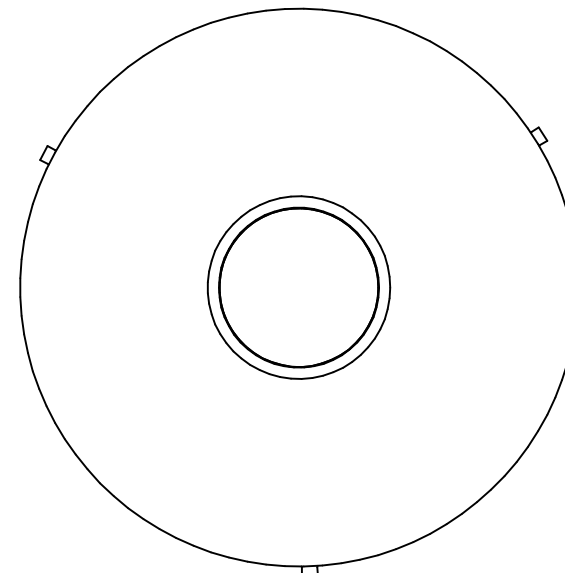
BLACK - SATIN (ANODIZED)



TOP VIEW
ENLIGHTED SENSOR



SIDE VIEW
ENLIGHTED SENSOR



BOTTOM VIEW
ENLIGHTED SENSOR

Lindner PARC
PARC-CEILING.COM

CONSTRUCTION:

- DEVICE CASING
 - o MOULDED POLYMER
- OUTER HOUSINGS
 - o MOULDED POLYMER

FINISH:

- ALL HARDWARE: MILL FINISH UNLESS OTHERWISE SPECIFIED

ELECTRICAL SERVICE

- SEE DEVICE DATASHEET

CONTROLS

- CONTROLS BY OTHERS

ASSEMBLY AND INSTALLATION

- ALL COMPONENTS SHOWN ARE FACTORY ASSEMBLED BY PARC UNLESS OTHERWISE NOTED
- ALL INSTALLATION BY OTHERS AND METHODS SHOWN ARE NOTIONAL
- (ASSY BY OTHERS): PROVIDED BY PARC, FIELD ASSEMBLED BY OTHERS
- (BY OTHERS): PROVIDED AND FIELD ASSEMBLED BY OTHERS

NOTES:

- DIMENSIONS SHOWN IN PARENTHESES ARE FOR REFERENCE ONLY (X.XX)
- METRIC DIMENSIONS SHOWN IN BRACKETS [X.XX]
- PRODUCT FINISH MAY VARY IN TONE, GLOSS AND TEXTURE; VARIATIONS ARE WITHIN PARC QUALITY STANDARDS
- TBC: DETAILS TO BE CONFIRMED

REV	DATE	DRAWN BY	CHECKED BY
C	2022-08-17	MN	JAC
B	2020-10-29	AS	JAC
A	2020-06-16	NPT	SMB

ALL DIMENSIONS IN INCHES UNLESS OTHERWISE SPECIFIED

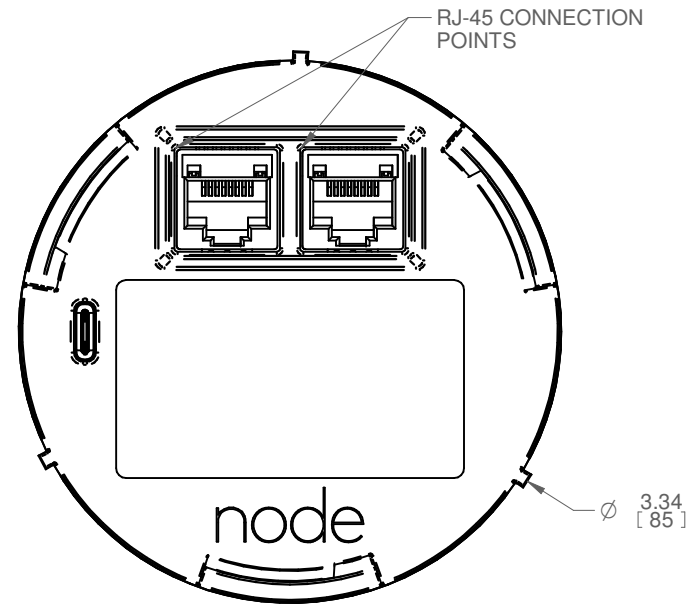
TOLERANCES UNLESS OTHERWISE SPECIFIED			
LINEAR	X.X ± .06	X.XX ± .03	X.XXX ± .01 INCHES
ANGULAR	X ± 1	X.X ± .5	X.XX ± .25 DEGREES

PROJECT

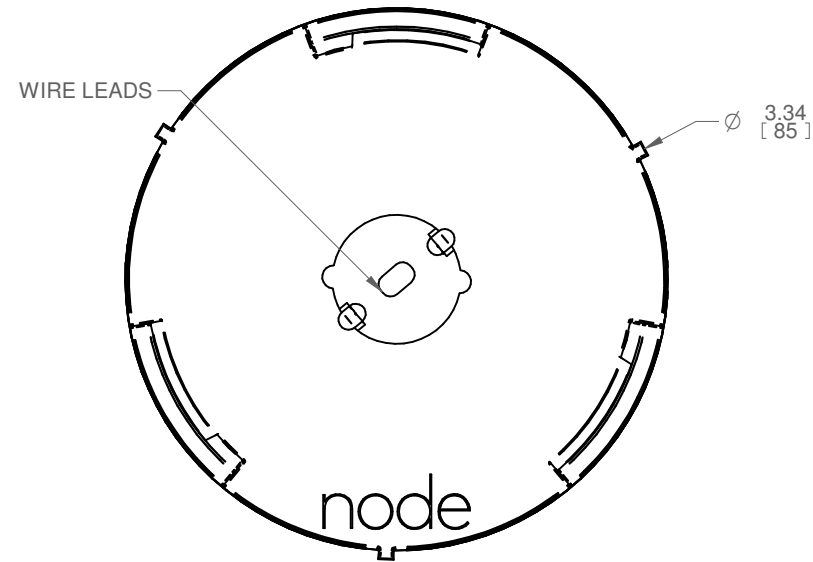
DRAWING TITLE
NODE SENSOR SUBMITTAL

SUBMITTAL NUMBER	272421	SHEET 1 OF 6	SIZE B
------------------	---------------	--------------	---------------

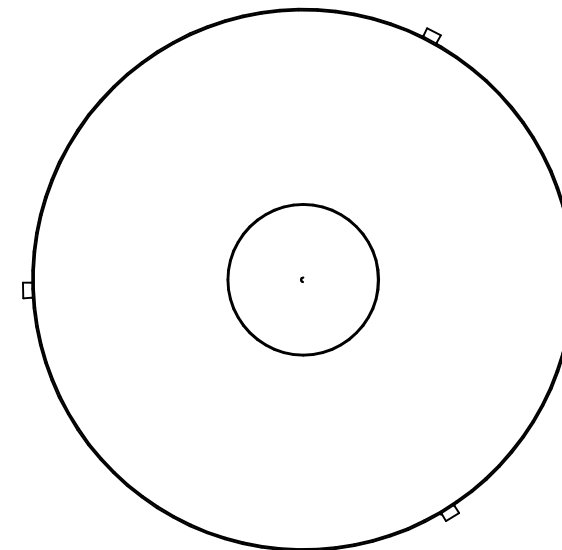
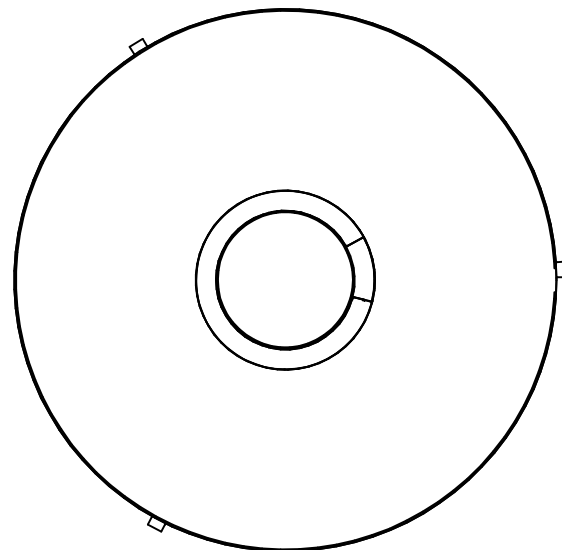
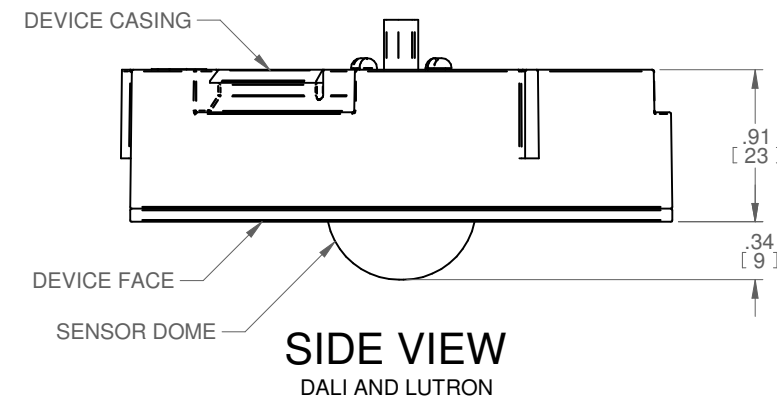
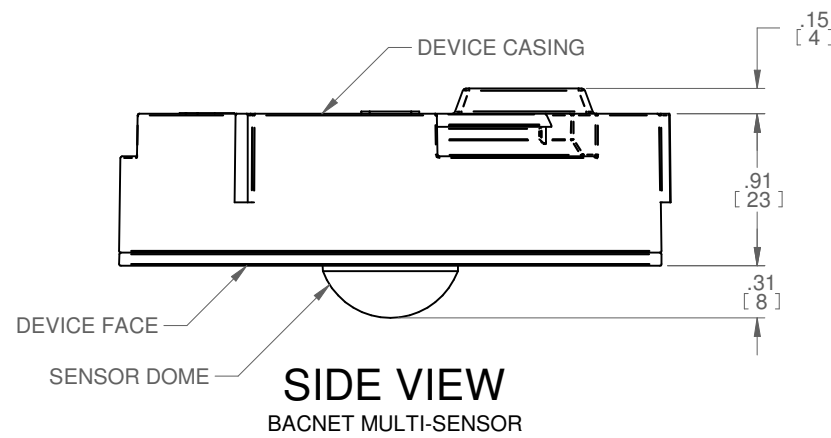
© COPYRIGHT LINDNER CANADA 2024



TOP VIEW
BACNET MULTI-SENSOR



TOP VIEW
DALI AND LUTRON



CONSTRUCTION:

- DEVICE CASING
 - o MOULDED POLYMER
- OUTER HOUSINGS
 - o MOULDED POLYMER

FINISH:

- ALL HARDWARE: MILL FINISH UNLESS OTHERWISE SPECIFIED

ELECTRICAL SERVICE

- SEE DEVICE DATASHEET

CONTROLS

- CONTROLS BY OTHERS

ASSEMBLY AND INSTALLATION

- ALL COMPONENTS SHOWN ARE FACTORY ASSEMBLED BY PARC UNLESS OTHERWISE NOTED
- ALL INSTALLATION BY OTHERS AND METHODS SHOWN ARE NOTIONAL
- (ASSY BY OTHERS): PROVIDED BY PARC, FIELD ASSEMBLED BY OTHERS
- (BY OTHERS): PROVIDED AND FIELD ASSEMBLED BY OTHERS

NOTES:

- DIMENSIONS SHOWN IN PARENTHESES ARE FOR REFERENCE ONLY (X.XX)
- METRIC DIMENSIONS SHOWN IN BRACKETS [X.XX]
- PRODUCT FINISH MAY VARY IN TONE, GLOSS AND TEXTURE; VARIATIONS ARE WITHIN PARC QUALITY STANDARDS
- TBC: DETAILS TO BE CONFIRMED

REV	DATE	DRAWN BY	CHECKED BY
C	2022-08-17	MN	JAC
B	2020-10-29	AS	JAC
A	2020-06-16	NPT	SMB

ALL DIMENSIONS IN INCHES UNLESS OTHERWISE SPECIFIED

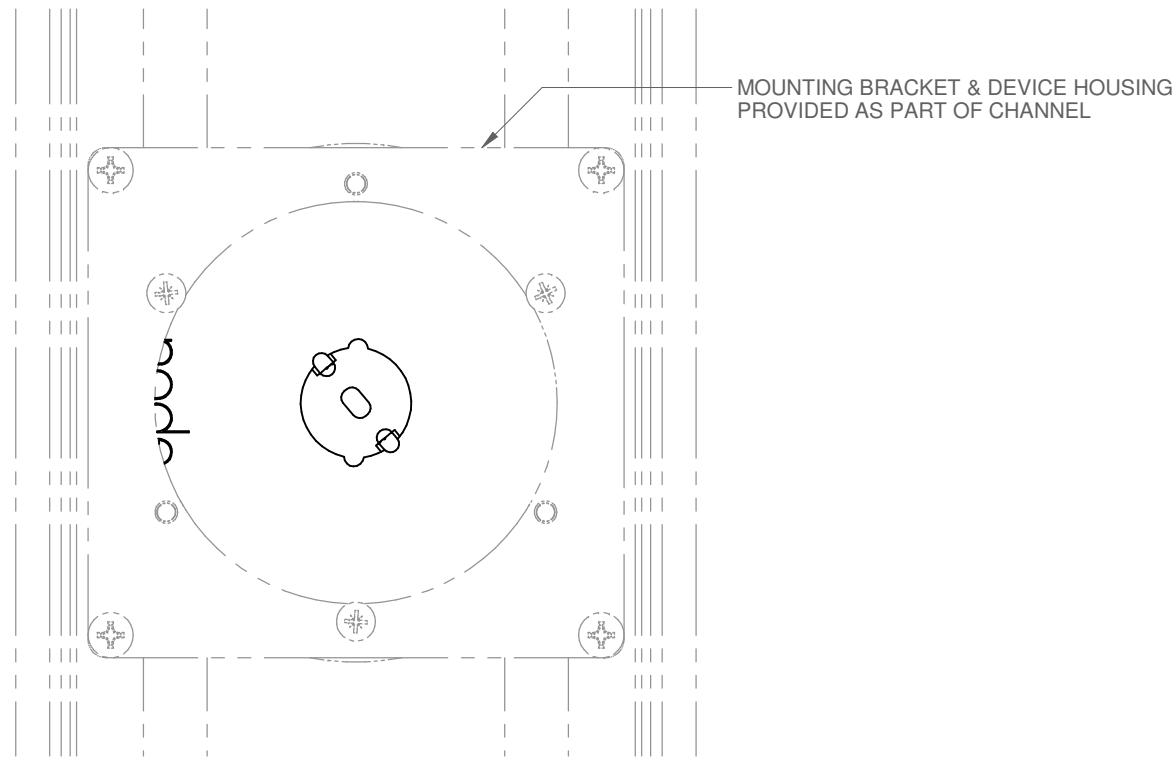
TOLERANCES UNLESS OTHERWISE SPECIFIED			
LINEAR	X.X ± .06	X.XX ± .03	X.XXX ± .01 INCHES
ANGULAR	X ± 1	X.X ± .5	X.XX ± .25 DEGREES

PROJECT

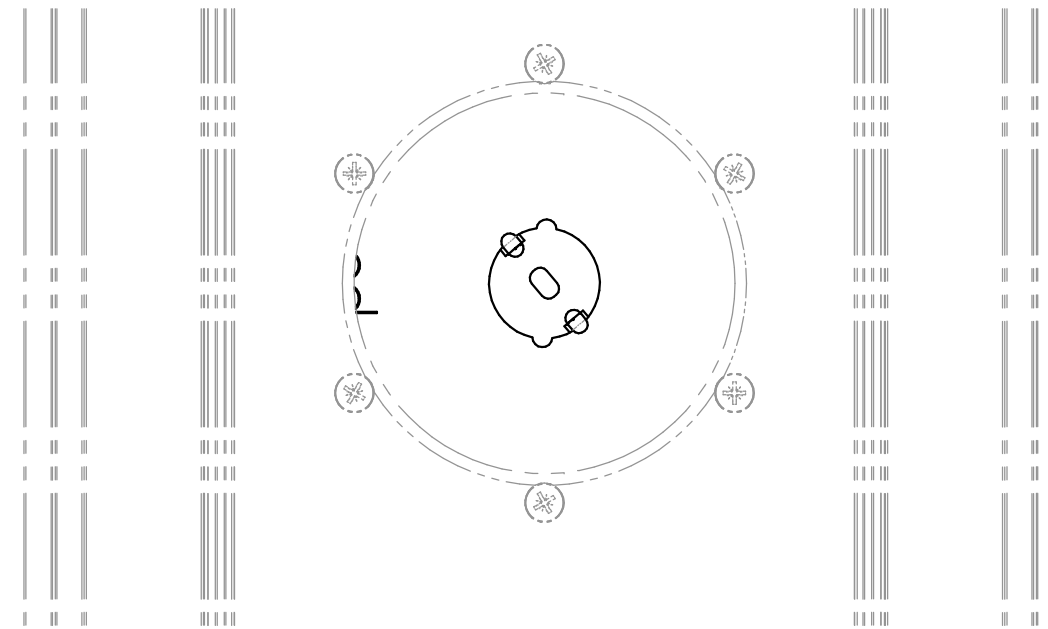
DRAWING TITLE
NODE SENSOR SUBMITTAL

SUBMITTAL NUMBER	272421	SHEET 2 OF 6	SIZE B
------------------	---------------	--------------	---------------

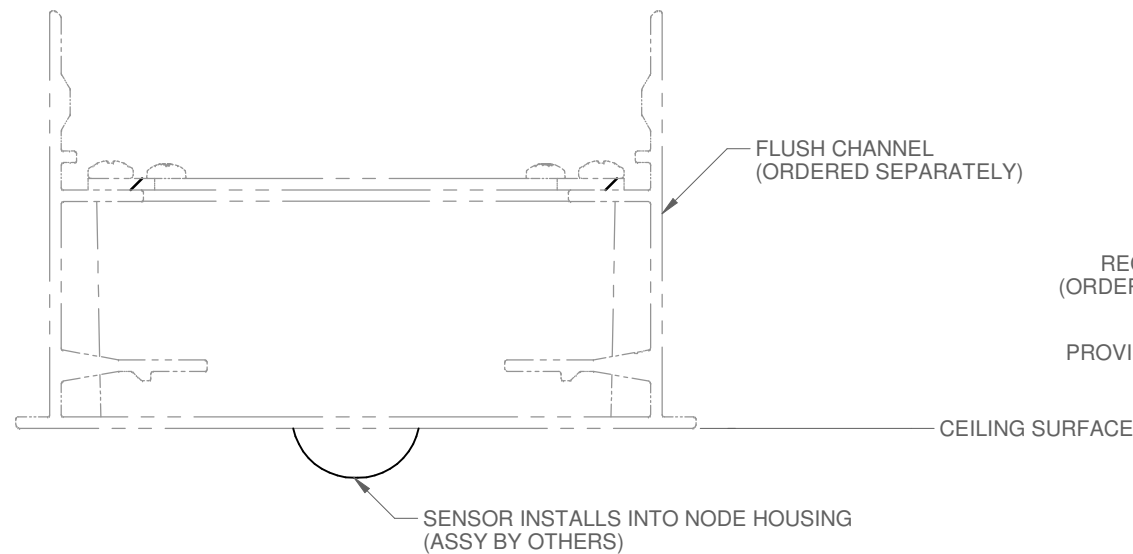
GENERAL CONSTRUCTION - CHANNEL MOUNTED



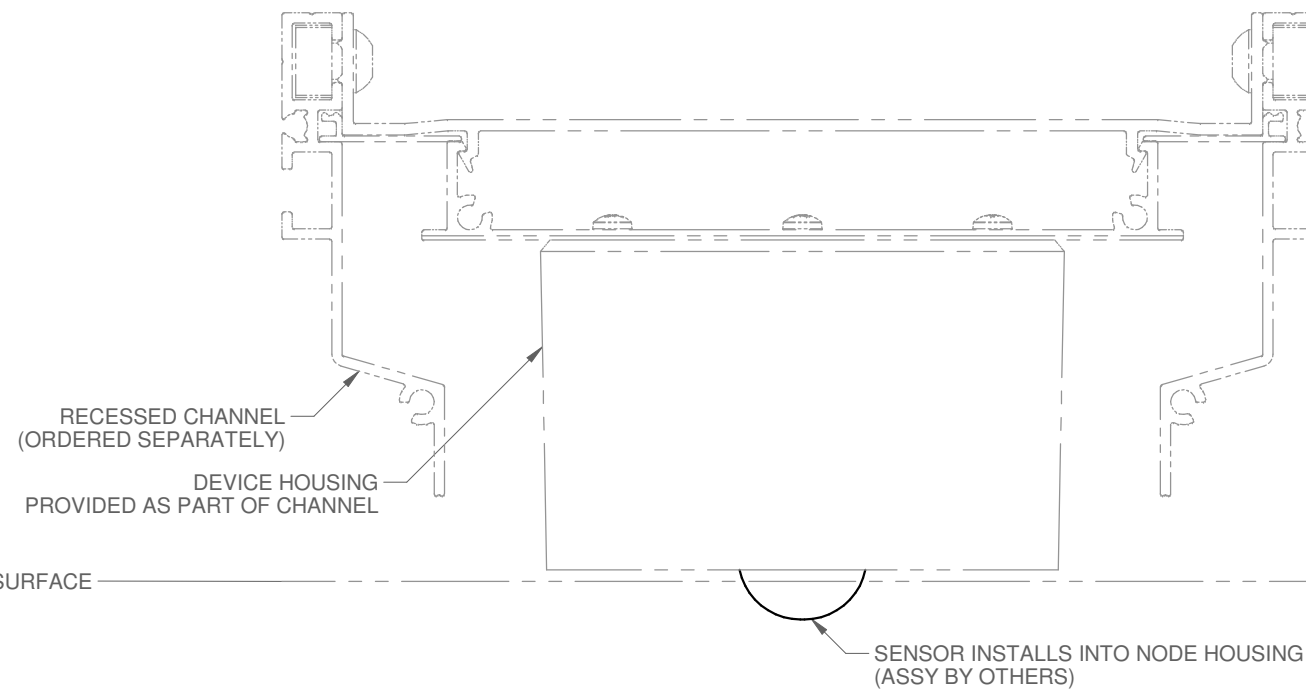
FLUSH CHANNEL TOP VIEW



RECESSED CHANNEL TOP VIEW



FLUSH CHANNEL END VIEW



RECESSED CHANNEL END VIEW

CONSTRUCTION:

- DEVICE CASING
 - o MOULDED POLYMER
- OUTER HOUSINGS
 - o MOULDED POLYMER

FINISH:

- ALL HARDWARE: MILL FINISH UNLESS OTHERWISE SPECIFIED

ELECTRICAL SERVICE

- SEE DEVICE DATASHEET

CONTROLS

- CONTROLS BY OTHERS

ASSEMBLY AND INSTALLATION

- ALL COMPONENTS SHOWN ARE FACTORY ASSEMBLED BY PARC UNLESS OTHERWISE NOTED
- ALL INSTALLATION BY OTHERS AND METHODS SHOWN ARE NOTIONAL
- (ASSY BY OTHERS): PROVIDED BY PARC, FIELD ASSEMBLED BY OTHERS
- (BY OTHERS): PROVIDED AND FIELD ASSEMBLED BY OTHERS

NOTES:

- DIMENSIONS SHOWN IN PARENTHESES ARE FOR REFERENCE ONLY (X.XX)
- METRIC DIMENSIONS SHOWN IN BRACKETS [X.XX]
- PRODUCT FINISH MAY VARY IN TONE, GLOSS AND TEXTURE; VARIATIONS ARE WITHIN PARC QUALITY STANDARDS
- TBC: DETAILS TO BE CONFIRMED

REV	DATE	DRAWN BY	CHECKED BY
C	2022-08-17	MN	JAC
B	2020-10-29	AS	JAC
A	2020-06-16	NPT	SMB

ALL DIMENSIONS IN INCHES UNLESS OTHERWISE SPECIFIED

TOLERANCES UNLESS OTHERWISE SPECIFIED	LINEAR	ANGULAR
	X.X ± .06	X ± 1
	X.XX ± .03	X.X ± .5
	X.XXX ± .01	X.XX ± .25

PROJECT

DRAWING TITLE
NODE SENSOR SUBMITTAL

SUBMITTAL NUMBER	272421	SHEET 3 OF 6	SIZE B
------------------	--------	--------------	--------

GENERAL CONSTRUCTION - TRIMLESS

CONSTRUCTION:

- DEVICE CASING
 - o MOULDED POLYMER
- OUTER HOUSINGS
 - o MOULDED POLYMER

FINISH:

- ALL HARDWARE: MILL FINISH UNLESS OTHERWISE SPECIFIED

ELECTRICAL SERVICE

- SEE DEVICE DATASHEET

CONTROLS

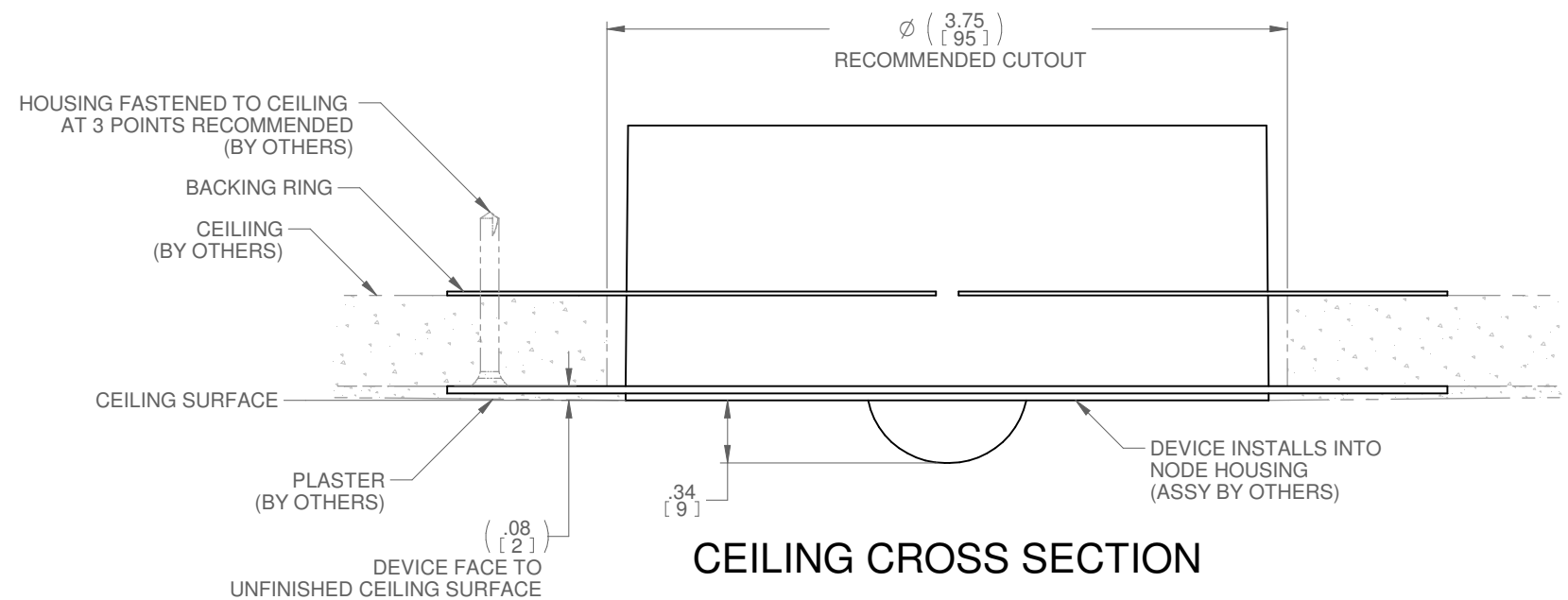
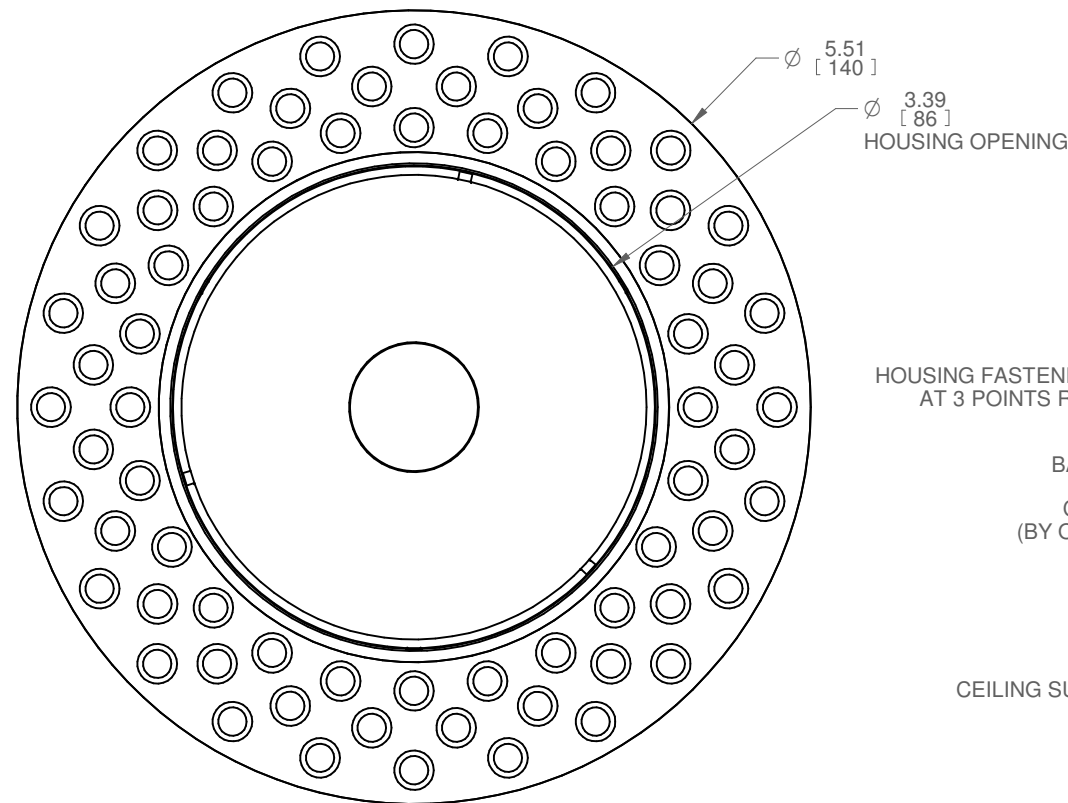
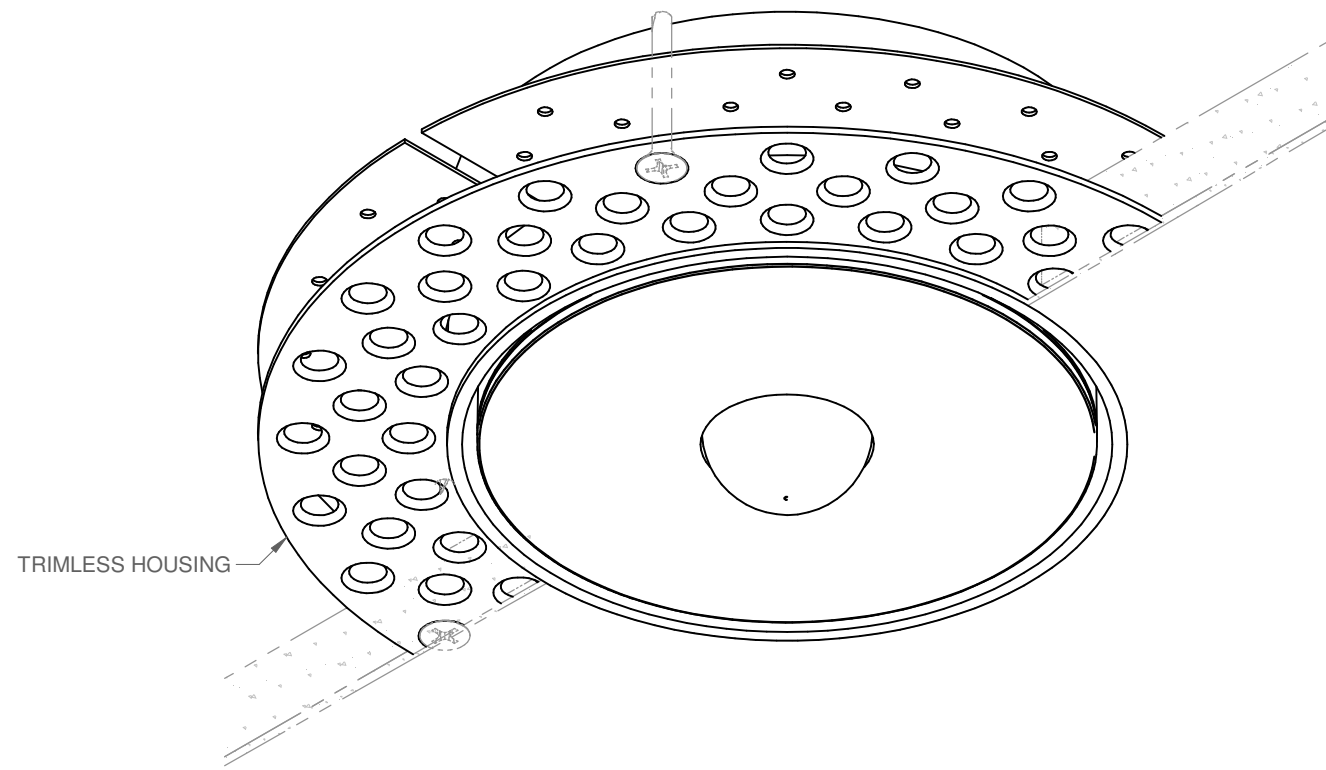
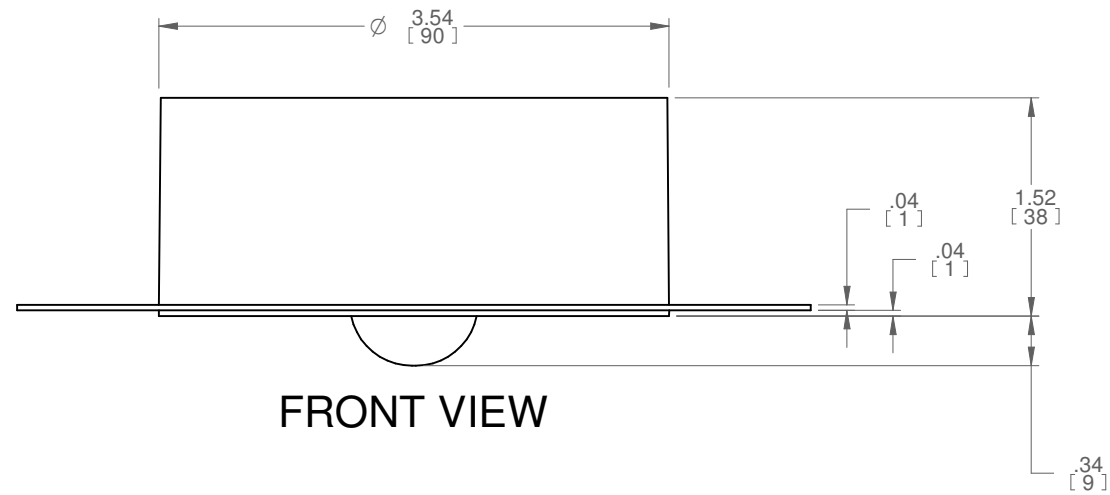
- CONTROLS BY OTHERS

ASSEMBLY AND INSTALLATION

- ALL COMPONENTS SHOWN ARE FACTORY ASSEMBLED BY PARC UNLESS OTHERWISE NOTED
- ALL INSTALLATION BY OTHERS AND METHODS SHOWN ARE NOTIONAL
- (ASSY BY OTHERS): PROVIDED BY PARC, FIELD ASSEMBLED BY OTHERS
- (BY OTHERS): PROVIDED AND FIELD ASSEMBLED BY OTHERS

NOTES:

- DIMENSIONS SHOWN IN PARENTHESES ARE FOR REFERENCE ONLY (X.XX)
- METRIC DIMENSIONS SHOWN IN BRACKETS [X.XX]
- PRODUCT FINISH MAY VARY IN TONE, GLOSS AND TEXTURE; VARIATIONS ARE WITHIN PARC QUALITY STANDARDS
- TBC: DETAILS TO BE CONFIRMED



REV	DATE	DRAWN BY	CHECKED BY
C	2022-08-17	MN	JAC
B	2020-10-29	AS	JAC
A	2020-06-16	NPT	SMB

ALL DIMENSIONS IN INCHES UNLESS OTHERWISE SPECIFIED

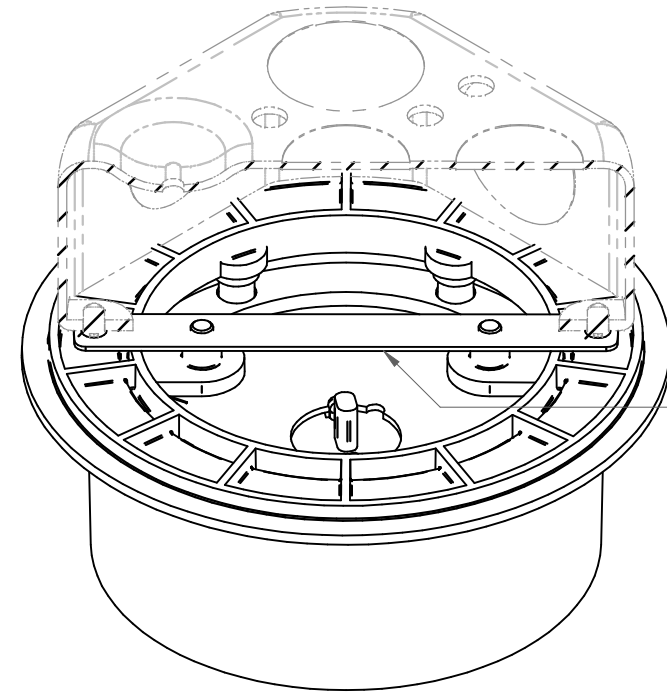
TOLERANCES UNLESS OTHERWISE SPECIFIED	LINEAR	ANGULAR	LINEAR	ANGULAR	LINEAR	ANGULAR
	X.X ± .06	X ± 1	X.XX ± .03	X ± .5	X.XXX ± .01	X.XX ± .25
						DEGREES

PROJECT

DRAWING TITLE
NODE SENSOR SUBMITTAL

SUBMITTAL NUMBER	272421	SHEET	4 OF 6	SIZE	B
------------------	---------------	-------	--------	------	----------

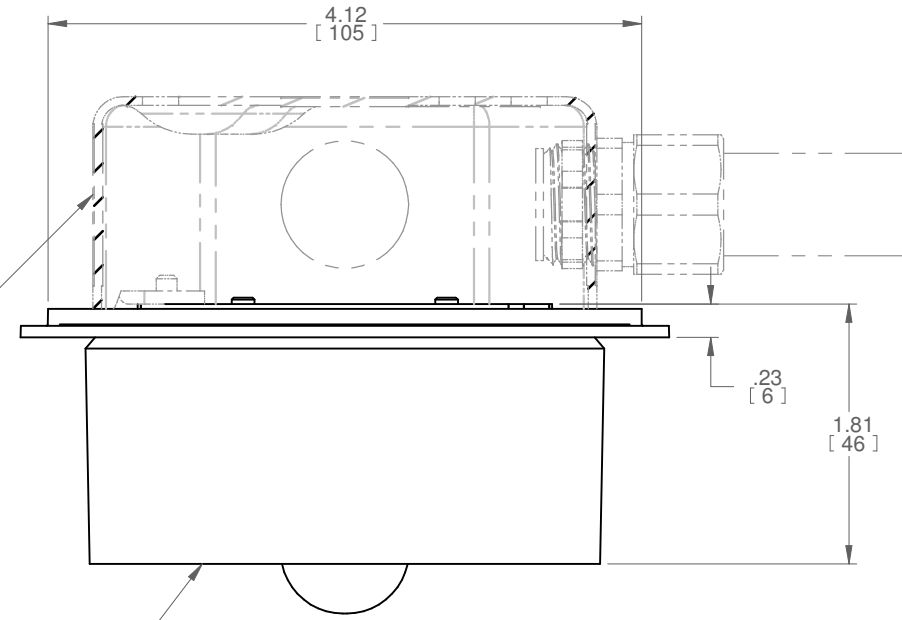
GENERAL CONSTRUCTION - SURFACE MOUNT



ISOMETRIC VIEW
4IN ROUND/OCT BOX

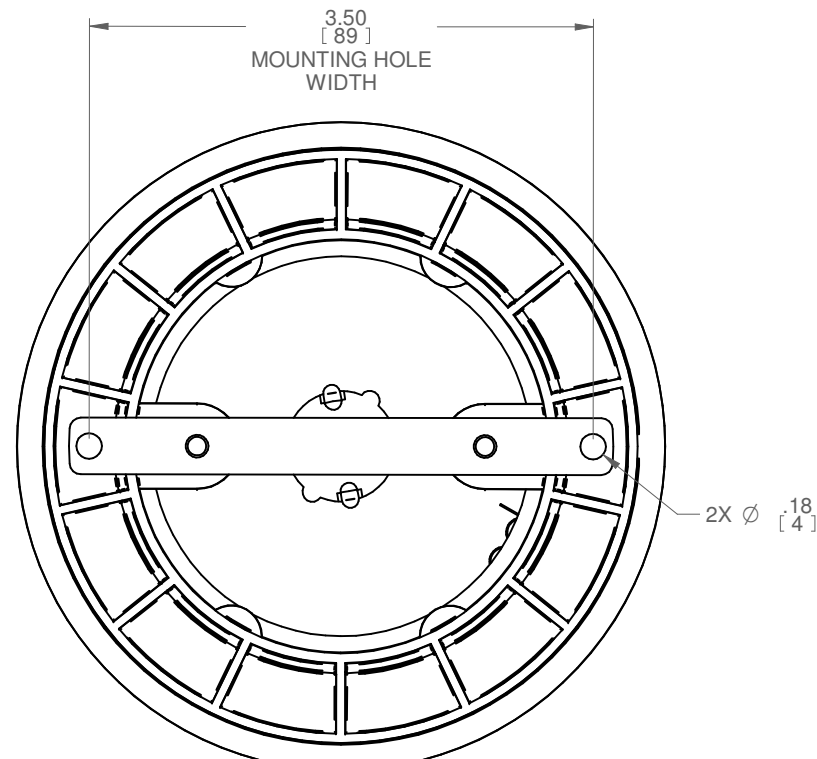
DEVICE BOX ADAPTER

ELECTRICAL BACKING BOX
(BY OTHERS)

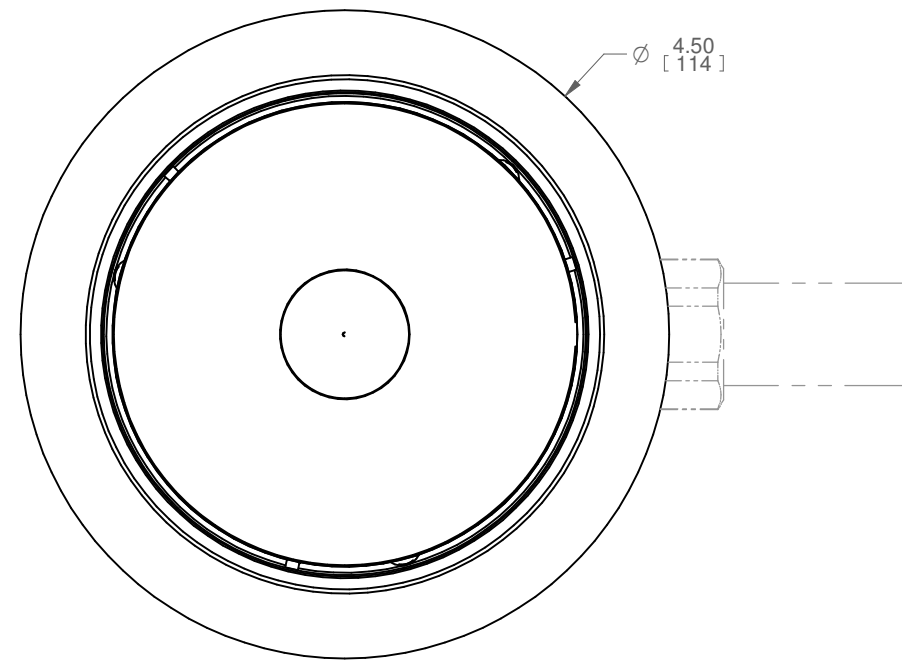


SIDE VIEW
4IN ROUND/OCT BOX

DEVICE & HOUSING INSTALLED
USING PROVIDED FASTENERS
(ASSY BY OTHERS)



TOP VIEW
4IN ROUND/OCT BOX



BOTTOM VIEW
4IN ROUND/OCT BOX

CONSTRUCTION:

- DEVICE CASING
 - o MOULDED POLYMER
- OUTER HOUSINGS
 - o MOULDED POLYMER

FINISH:

- ALL HARDWARE: MILL FINISH UNLESS OTHERWISE SPECIFIED

ELECTRICAL SERVICE

- SEE DEVICE DATASHEET

CONTROLS

- CONTROLS BY OTHERS

ASSEMBLY AND INSTALLATION

- ALL COMPONENTS SHOWN ARE FACTORY ASSEMBLED BY PARC UNLESS OTHERWISE NOTED
- ALL INSTALLATION BY OTHERS AND METHODS SHOWN ARE NOTIONAL
- (ASSY BY OTHERS): PROVIDED BY PARC, FIELD ASSEMBLED BY OTHERS
- (BY OTHERS): PROVIDED AND FIELD ASSEMBLED BY OTHERS

NOTES:

- DIMENSIONS SHOWN IN PARENTHESES ARE FOR REFERENCE ONLY (X.XX)
- METRIC DIMENSIONS SHOWN IN BRACKETS [X.XX]
- PRODUCT FINISH MAY VARY IN TONE, GLOSS AND TEXTURE; VARIATIONS ARE WITHIN PARC QUALITY STANDARDS
- TBC: DETAILS TO BE CONFIRMED

REV	DATE	DRAWN BY	CHECKED BY
C	2022-08-17	MN	JAC
B	2020-10-29	AS	JAC
A	2020-06-16	NPT	SMB

ALL DIMENSIONS IN INCHES UNLESS OTHERWISE SPECIFIED

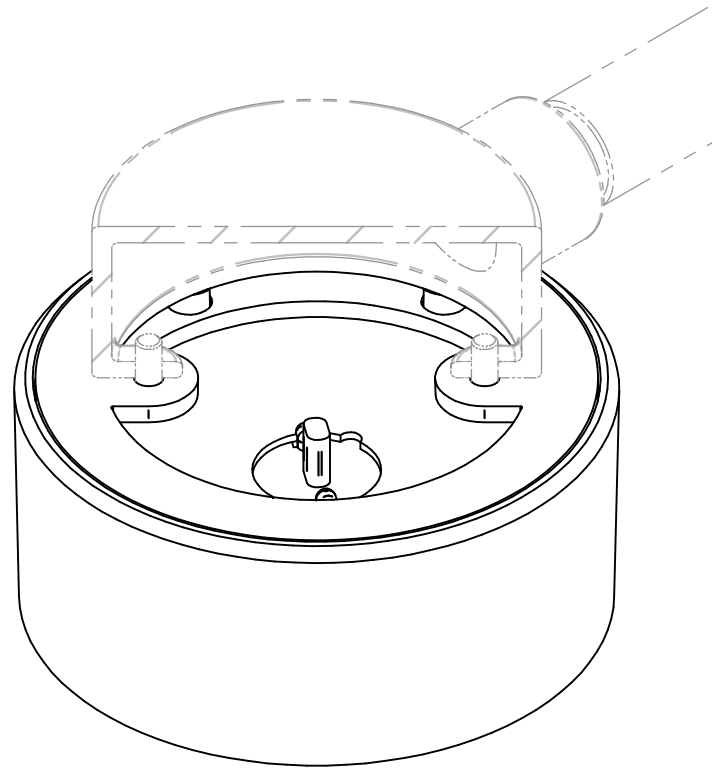
TOLERANCES UNLESS OTHERWISE SPECIFIED	LINEAR	ANGULAR
X.X ± .06	X.XX ± .03	X.XXX ± .01
X ± 1	X.X ± .5	X.XX ± .25
		DEGREES

PROJECT

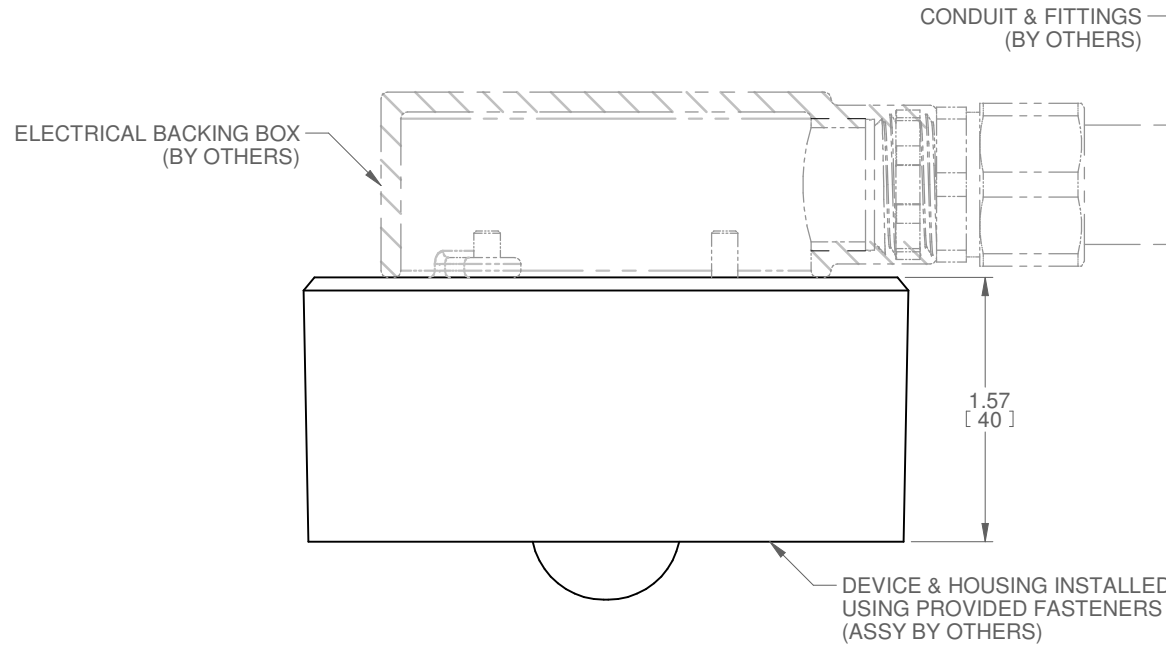
DRAWING TITLE
NODE SENSOR SUBMITTAL

SUBMITTAL NUMBER	272421	SHEET	5 OF 6	SIZE	B
------------------	---------------	-------	--------	------	----------

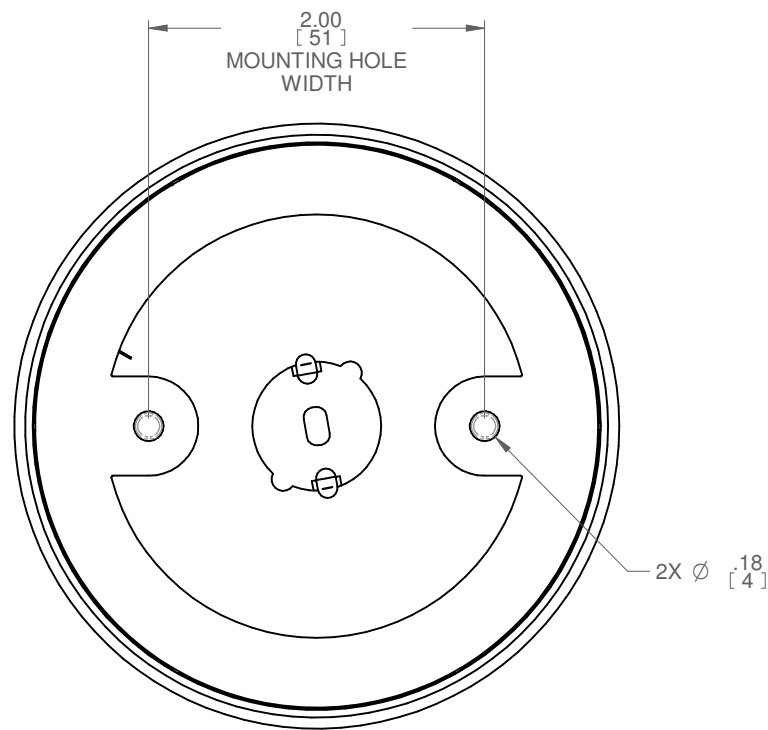
GENERAL CONSTRUCTION - SURFACE MOUNT (CONTINUED)



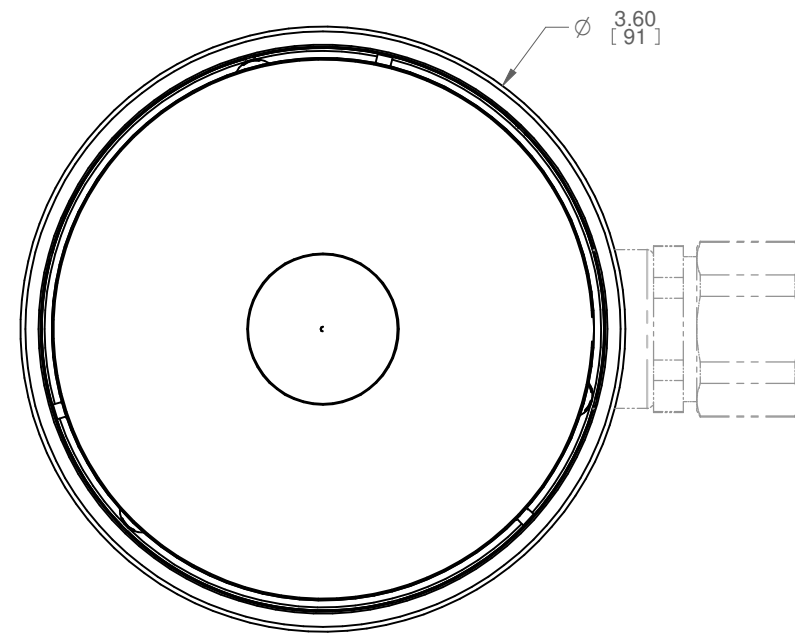
ISOMETRIC VIEW
20MM CONDUIT JUNCTION BOX



SIDE VIEW
20MM CONDUIT JUNCTION BOX



TOP VIEW
20MM CONDUIT JUNCTION BOX



BOTTOM VIEW
20MM CONDUIT JUNCTION BOX

CONSTRUCTION:

- DEVICE CASING
 - o MOULDED POLYMER
- OUTER HOUSINGS
 - o MOULDED POLYMER

FINISH:

- ALL HARDWARE: MILL FINISH UNLESS OTHERWISE SPECIFIED

ELECTRICAL SERVICE

- SEE DEVICE DATASHEET

CONTROLS

- CONTROLS BY OTHERS

ASSEMBLY AND INSTALLATION

- ALL COMPONENTS SHOWN ARE FACTORY ASSEMBLED BY PARC UNLESS OTHERWISE NOTED
- ALL INSTALLATION BY OTHERS AND METHODS SHOWN ARE NOTIONAL
- (ASSY BY OTHERS): PROVIDED BY PARC, FIELD ASSEMBLED BY OTHERS
- (BY OTHERS): PROVIDED AND FIELD ASSEMBLED BY OTHERS

NOTES:

- DIMENSIONS SHOWN IN PARENTHESES ARE FOR REFERENCE ONLY (X.XX)
- METRIC DIMENSIONS SHOWN IN BRACKETS [X.XX]
- PRODUCT FINISH MAY VARY IN TONE, GLOSS AND TEXTURE; VARIATIONS ARE WITHIN PARC QUALITY STANDARDS
- TBC: DETAILS TO BE CONFIRMED

REV	DATE	DRAWN BY	CHECKED BY
C	2022-08-17	MN	JAC
B	2020-10-29	AS	JAC
A	2020-06-16	NPT	SMB

ALL DIMENSIONS IN INCHES UNLESS OTHERWISE SPECIFIED

TOLERANCES UNLESS OTHERWISE SPECIFIED				
LINEAR	X.X ± .06	X.XX ± .03	X.XXX ± .01	INCHES
ANGULAR	X ± 1	X.X ± .5	X.XX ± .25	DEGREES

PROJECT

DRAWING TITLE
NODE SENSOR SUBMITTAL

SUBMITTAL NUMBER	272421	SHEET 6 OF 6	SIZE B
------------------	---------------	--------------	--------