

SUBMITTAL

GENERAL CONSTRUCTION - NODE SPOTLIGHT

PROJECT CHECKLIST

TAG: _____

QUANTITY: _____

BEAM ANGLE:

- 13° - NARROW
- 24° - MEDIUM
- 48° - WIDE
- 67° - EXTRA WIDE

COLOUR TEMPERATURE:

- 3000K
- 3500K
- 4000K

MOUNTING:

- FLUSH CHANNEL
- RECESSED CHANNEL
- TRIMLESS
- SURFACE MOUNT

MOUNTING ADAPTER:

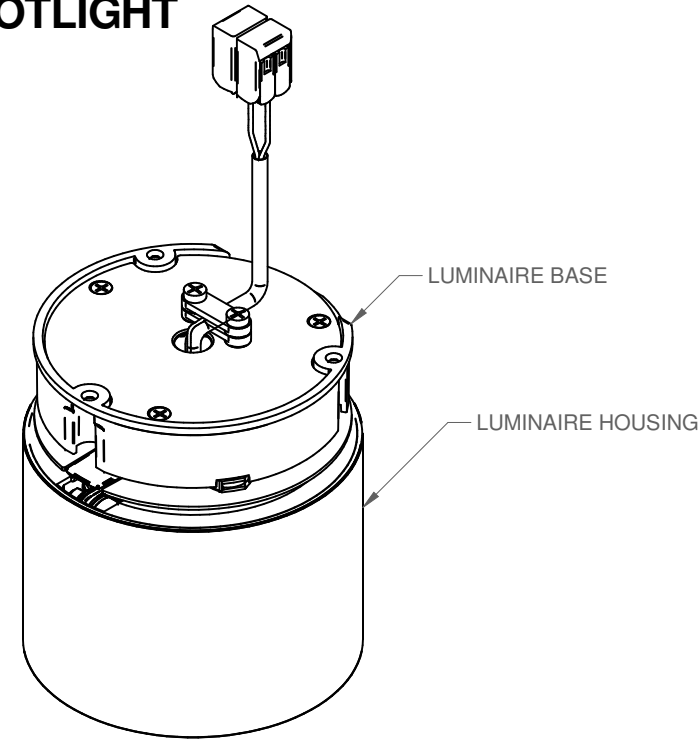
- NOT REQUIRED
- 4IN ROUND/OCT DEVICE BOX
- 20MM CONDUIT JUNCTION BOX

HOUSING COLOR:

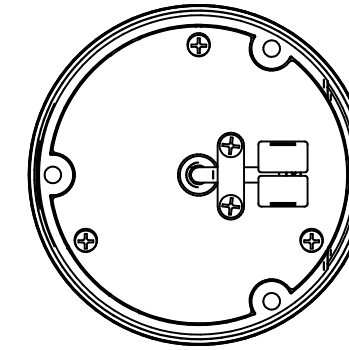
- BLACK POLYMER - B17
- WHITE POLYMER - RAL 9016

FINISH:

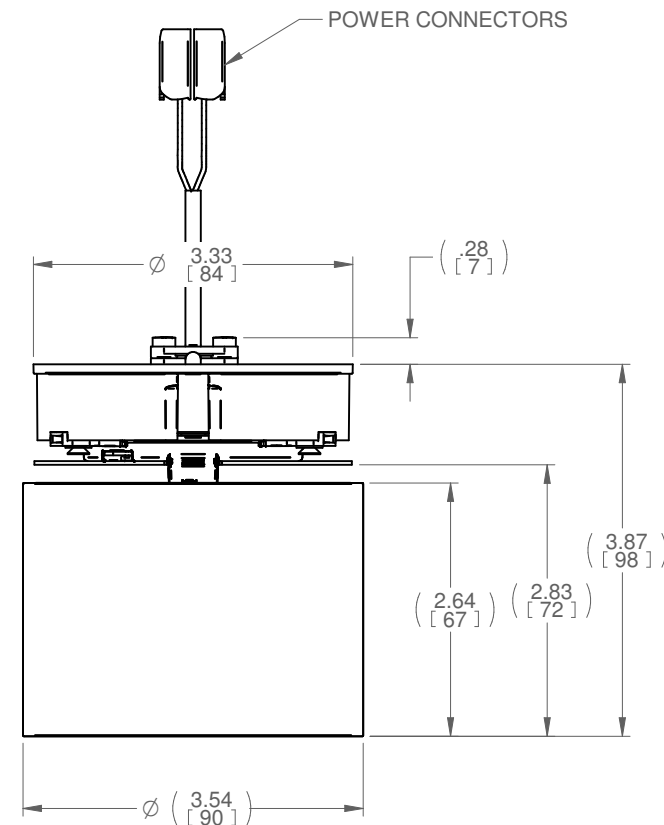
- BLACK - B17
- WHITE - RAL 9016



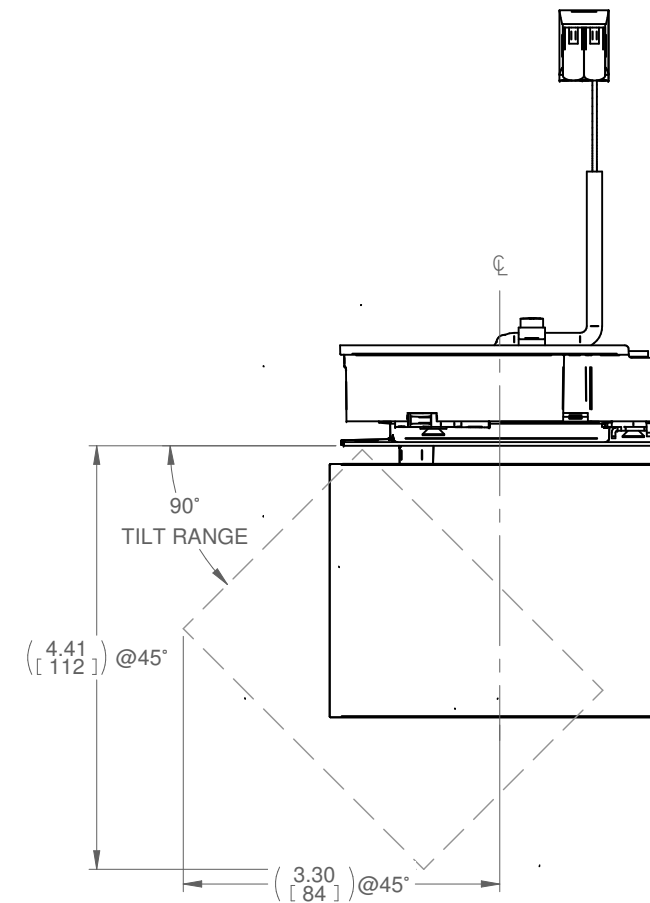
ISOMETRIC VIEW



TOP VIEW



FRONT VIEW



SIDE VIEW



CONSTRUCTION:

- LUMINAIRE HOUSING
 - o CAST ALUMINUM
- LUMINAIRE BASE
 - o MOULDED POLYMER

FINISH:

- ALL HARDWARE: MILL FINISH UNLESS OTHERWISE SPECIFIED

ELECTRICAL SERVICE

- BY OTHERS, SEE PRODUCT DATASHEET FOR DETAILS

ASSEMBLY AND INSTALLATION

- ALL COMPONENTS SHOWN ARE FACTORY ASSEMBLED BY PARC UNLESS OTHERWISE NOTED
- ALL INSTALLATION BY OTHERS AND METHODS SHOWN ARE NOTIONAL
- (ASSY BY OTHERS): PROVIDED BY PARC, FIELD ASSEMBLED BY OTHERS
- (BY OTHERS): PROVIDED AND FIELD ASSEMBLED BY OTHERS

NOTES:

- DIMENSIONS SHOWN IN PARENTHESES ARE FOR REFERENCE ONLY (X.XX)
- METRIC DIMENSIONS SHOWN IN BRACKETS [X.XX]
- PRODUCT FINISH MAY VARY IN TONE, GLOSS AND TEXTURE; VARIATIONS ARE WITHIN PARC QUALITY STANDARDS
- TBC: DETAILS TO BE CONFIRMED
- LISTED CAN/CSA-C22.2 NO. 250.0 & UL 2108



REV	DATE	DRAWN BY	CHECKED BY
B	2021-09-14	NLD	JAC
A	2020-06-16	NPT	SMB

ALL DIMENSIONS IN INCHES UNLESS OTHERWISE SPECIFIED

TOLERANCES UNLESS OTHERWISE SPECIFIED	LINEAR	ANGULAR
X.X ± .06	X.XX ± .03	X.XXX ± .01
X ± 1	X.X ± .5	X.XX ± .25
	INCHES	DEGREES

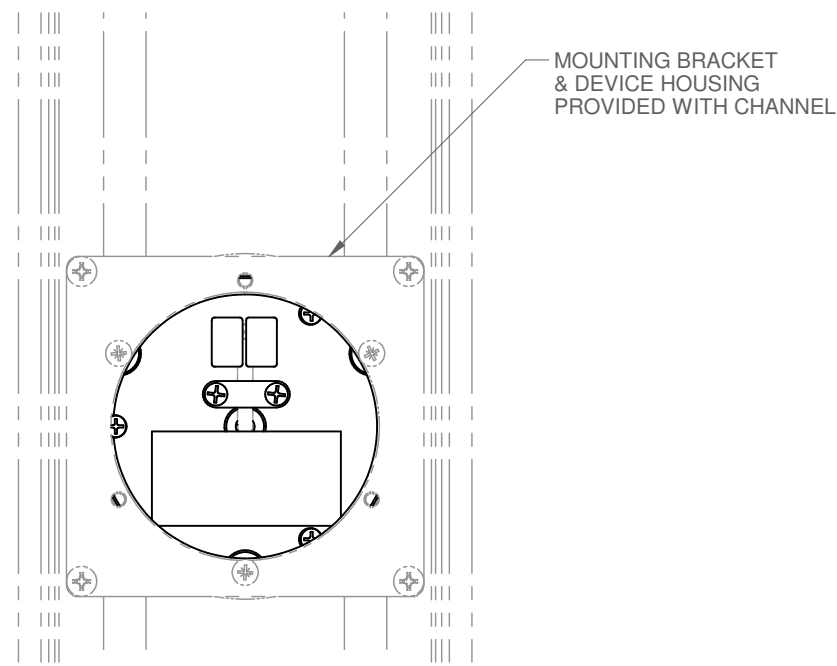
PROJECT

DRAWING TITLE
NODE K2 SPOTLIGHT SUBMITTAL

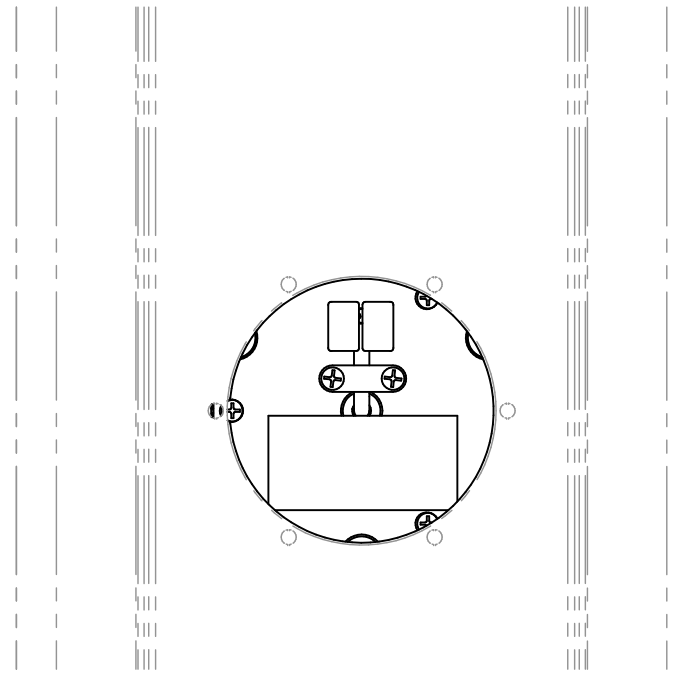
SUBMITTAL NUMBER	272419	SHEET 1 OF 5	SIZE B
------------------	---------------	--------------	--------

© COPYRIGHT LINDNER CANADA 2024

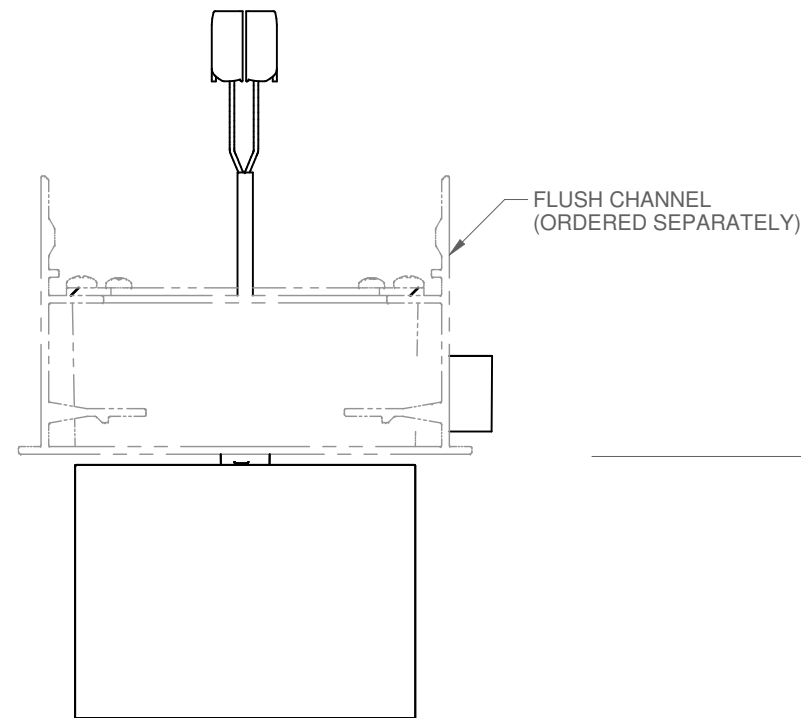
GENERAL CONSTRUCTION - CHANNEL MOUNTED



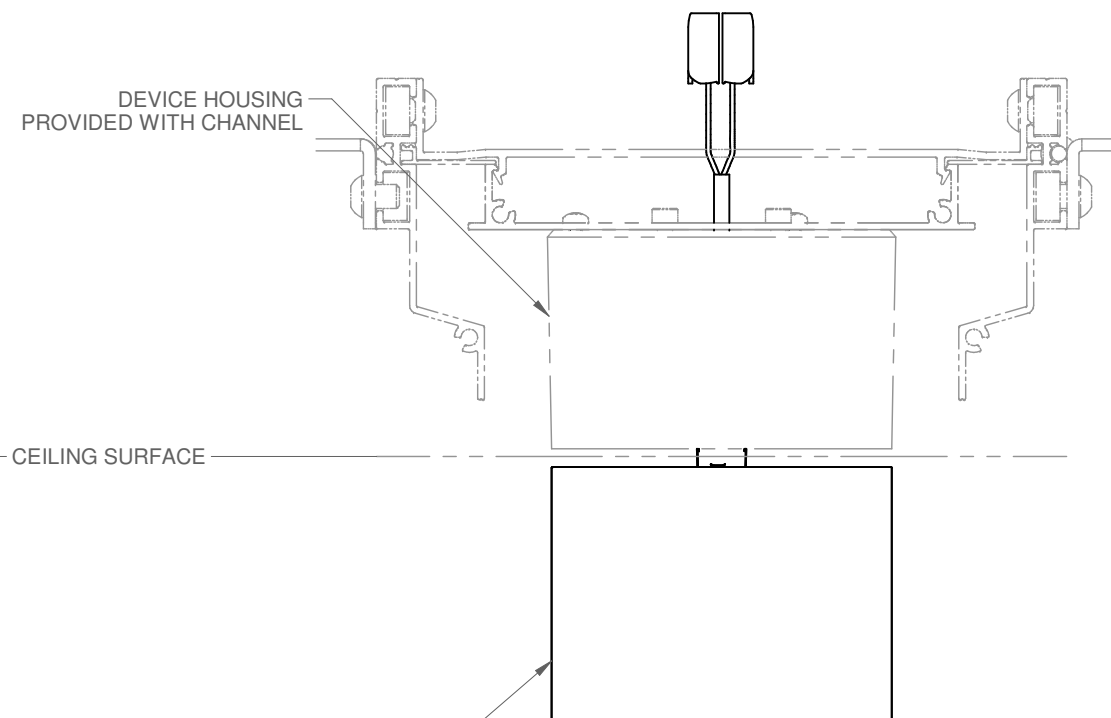
TOP VIEW
FLUSH CHANNEL



TOP VIEW
RECESSED CHANNEL



END VIEW
FLUSH CHANNEL



END VIEW
RECESSED CHANNEL

CONSTRUCTION:

- LUMINAIRE HOUSING
 - o CAST ALUMINUM
- LUMINAIRE BASE
 - o MOULDED POLYMER

FINISH:

- ALL HARDWARE: MILL FINISH UNLESS OTHERWISE SPECIFIED

ELECTRICAL SERVICE

- BY OTHERS, SEE PRODUCT DATASHEET FOR DETAILS

ASSEMBLY AND INSTALLATION

- ALL COMPONENTS SHOWN ARE FACTORY ASSEMBLED BY PARC UNLESS OTHERWISE NOTED
- ALL INSTALLATION BY OTHERS AND METHODS SHOWN ARE NOTIONAL
- (ASSY BY OTHERS): PROVIDED BY PARC, FIELD ASSEMBLED BY OTHERS
- (BY OTHERS): PROVIDED AND FIELD ASSEMBLED BY OTHERS

NOTES:

- DIMENSIONS SHOWN IN PARENTHESES ARE FOR REFERENCE ONLY (X.XX)
- METRIC DIMENSIONS SHOWN IN BRACKETS [X.XX]
- PRODUCT FINISH MAY VARY IN TONE, GLOSS AND TEXTURE; VARIATIONS ARE WITHIN PARC QUALITY STANDARDS
- TBC: DETAILS TO BE CONFIRMED
- LISTED CAN/CSA-C22.2 NO. 250.0 & UL 2108



REV	DATE	DRAWN BY	CHECKED BY
B	2021-09-14	NLD	JAC
A	2020-06-16	NPT	SMB

ALL DIMENSIONS IN INCHES UNLESS OTHERWISE SPECIFIED

TOLERANCES UNLESS OTHERWISE SPECIFIED			
LINEAR	X.X ± .06	X.XX ± .03	X.XXX ± .01 INCHES
ANGULAR	X ± 1	X.X ± .5	X.XX ± .25 DEGREES

PROJECT

DRAWING TITLE
NODE K2 SPOTLIGHT SUBMITTAL

SUBMITTAL NUMBER	272419	SHEET 2 OF 5	SIZE B
© COPYRIGHT LINDNER CANADA 2024			

GENERAL CONSTRUCTION - TRIMLESS



CONSTRUCTION:

- LUMINAIRE HOUSING
 - o CAST ALUMINUM
- LUMINAIRE BASE
 - o MOULDED POLYMER

FINISH:

- ALL HARDWARE: MILL FINISH UNLESS OTHERWISE SPECIFIED

ELECTRICAL SERVICE

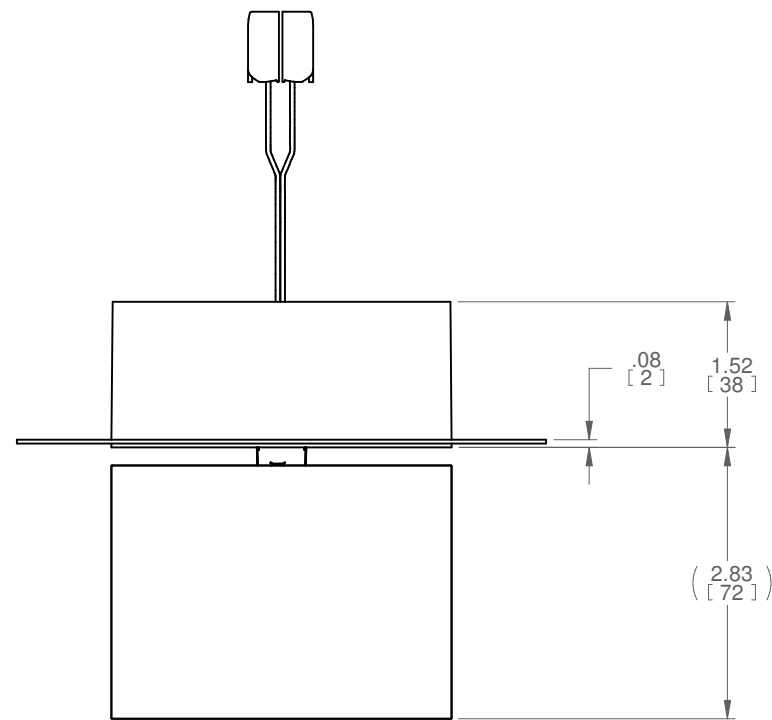
- BY OTHERS, SEE PRODUCT DATASHEET FOR DETAILS

ASSEMBLY AND INSTALLATION

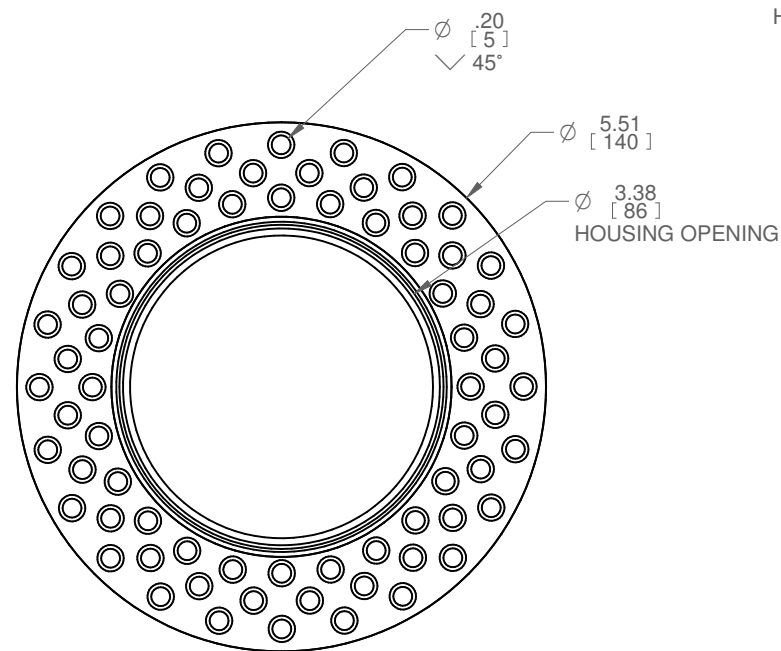
- ALL COMPONENTS SHOWN ARE FACTORY ASSEMBLED BY PARC UNLESS OTHERWISE NOTED
- ALL INSTALLATION BY OTHERS AND METHODS SHOWN ARE NOTIONAL
- (ASSY BY OTHERS): PROVIDED BY PARC, FIELD ASSEMBLED BY OTHERS
- (BY OTHERS): PROVIDED AND FIELD ASSEMBLED BY OTHERS

NOTES:

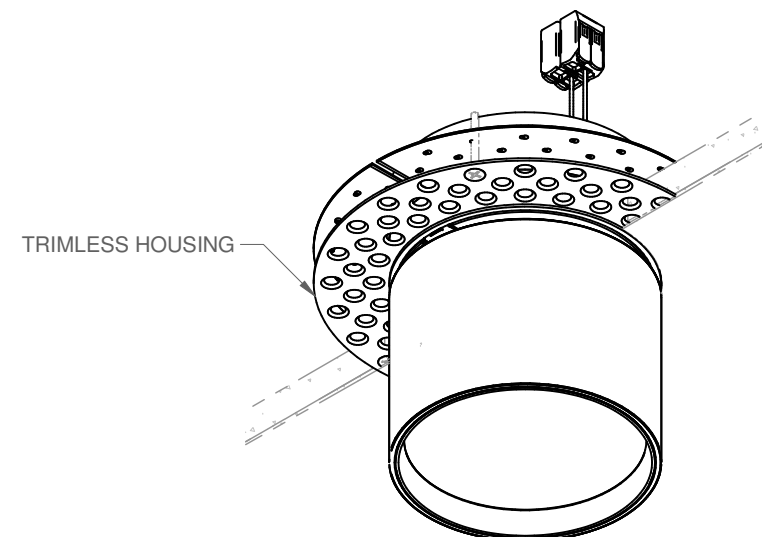
- DIMENSIONS SHOWN IN PARENTHESES ARE FOR REFERENCE ONLY (X.XX)
- METRIC DIMENSIONS SHOWN IN BRACKETS [X.XX]
- PRODUCT FINISH MAY VARY IN TONE, GLOSS AND TEXTURE; VARIATIONS ARE WITHIN PARC QUALITY STANDARDS
- TBC: DETAILS TO BE CONFIRMED
- LISTED CAN/CSA-C22.2 NO. 250.0 & UL 2108



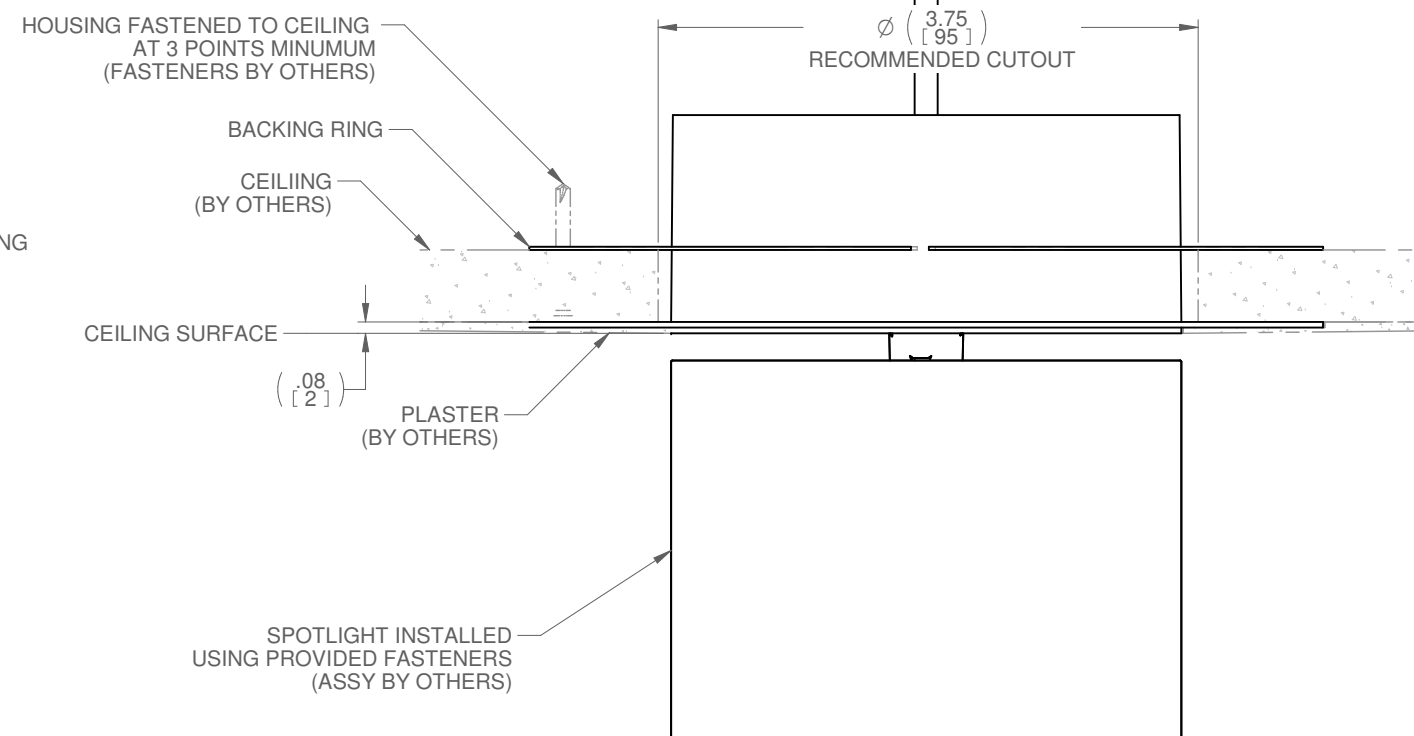
FRONT VIEW
TRIMLESS



BOTTOM VIEW
TRIMLESS



ISOMETRIC VIEW
TRIMLESS



CEILING CROSS SECTION
TRIMLESS

REV	DATE	DRAWN BY	CHECKED BY
B	2021-09-14	NLD	JAC
A	2020-06-16	NPT	SMB

ALL DIMENSIONS IN INCHES UNLESS OTHERWISE SPECIFIED

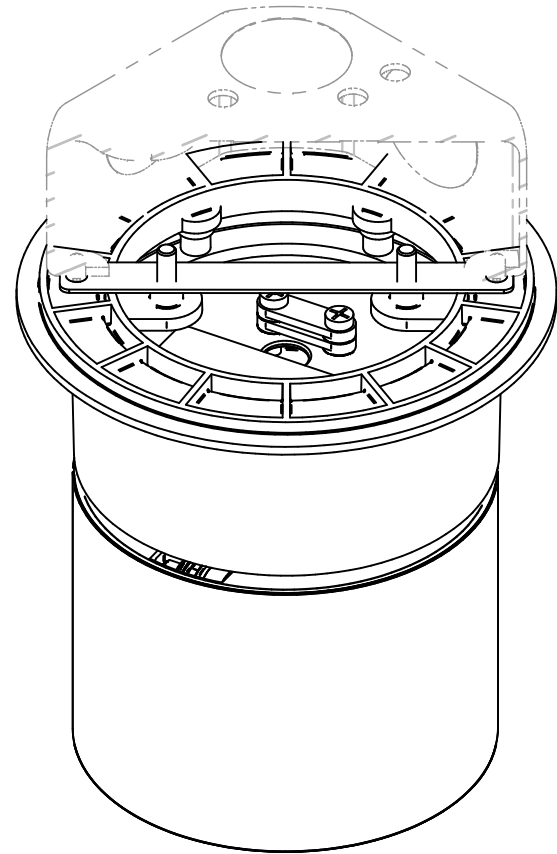
TOLERANCES UNLESS OTHERWISE SPECIFIED			
LINEAR	X.X ± .06	X.XX ± .03	X.XXX ± .01 INCHES
ANGULAR	X ± 1	X.X ± .5	X.XX ± .25 DEGREES

PROJECT

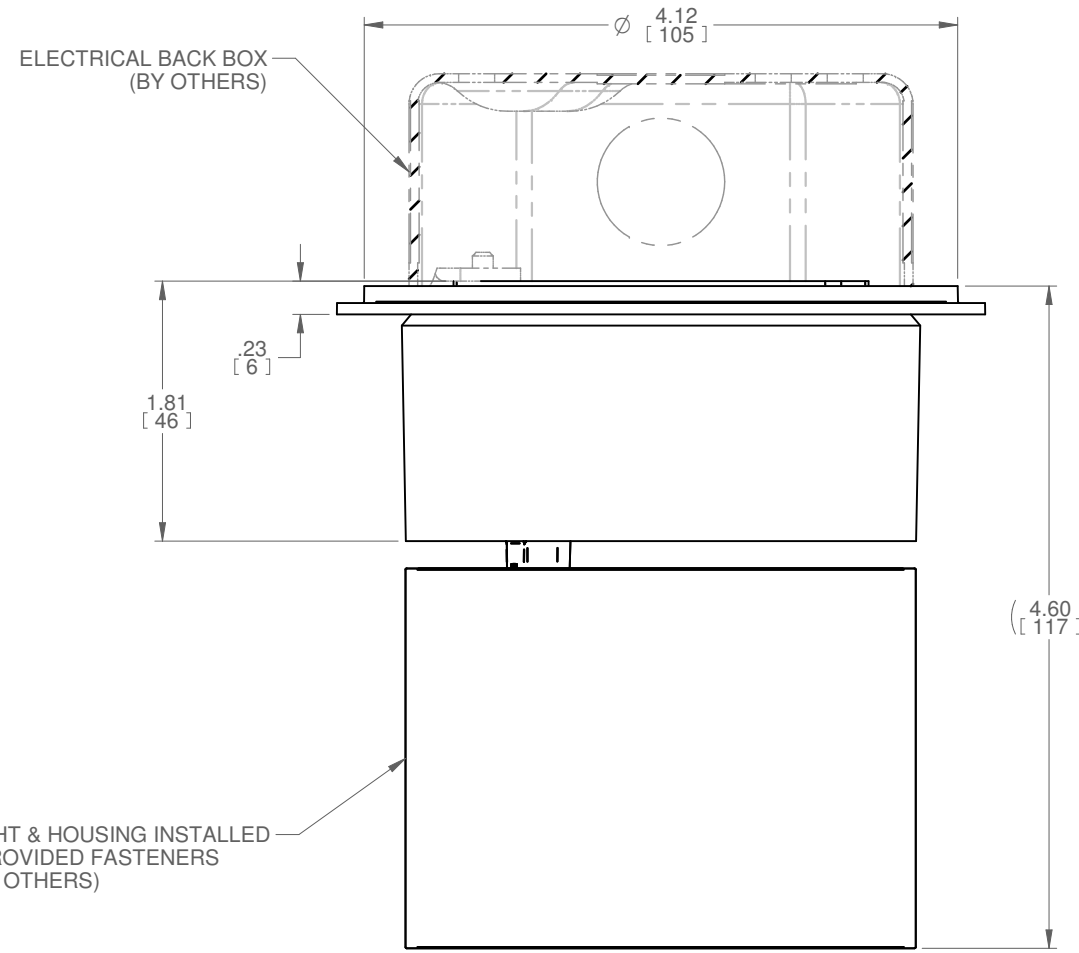
DRAWING TITLE
NODE K2 SPOTLIGHT SUBMITTAL

SUBMITTAL NUMBER	272419	SHEET 3 OF 5	SIZE B
------------------	---------------	--------------	---------------

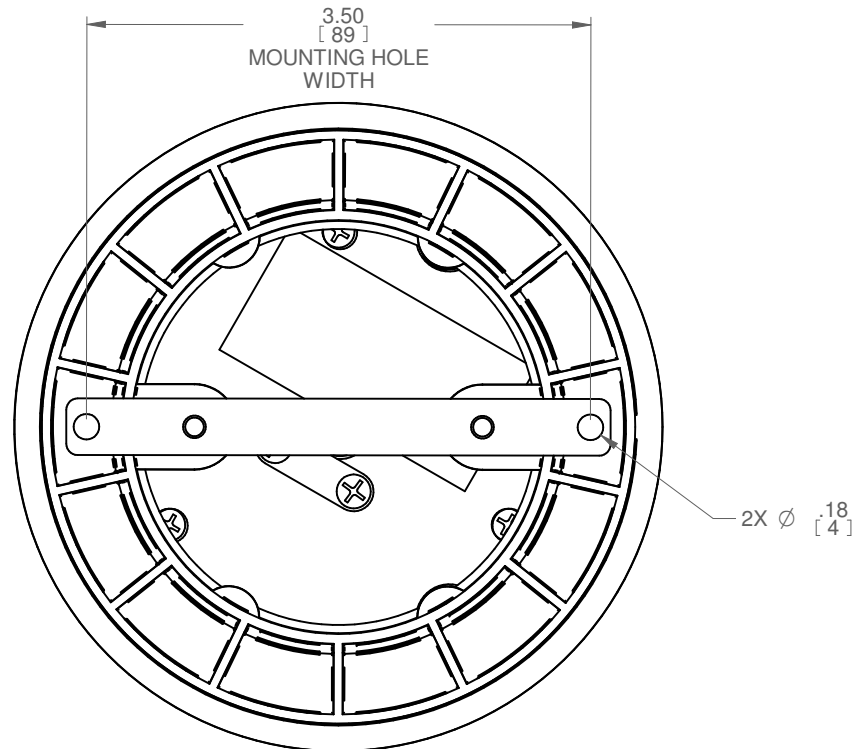
GENERAL CONSTRUCTION - SURFACE MOUNT



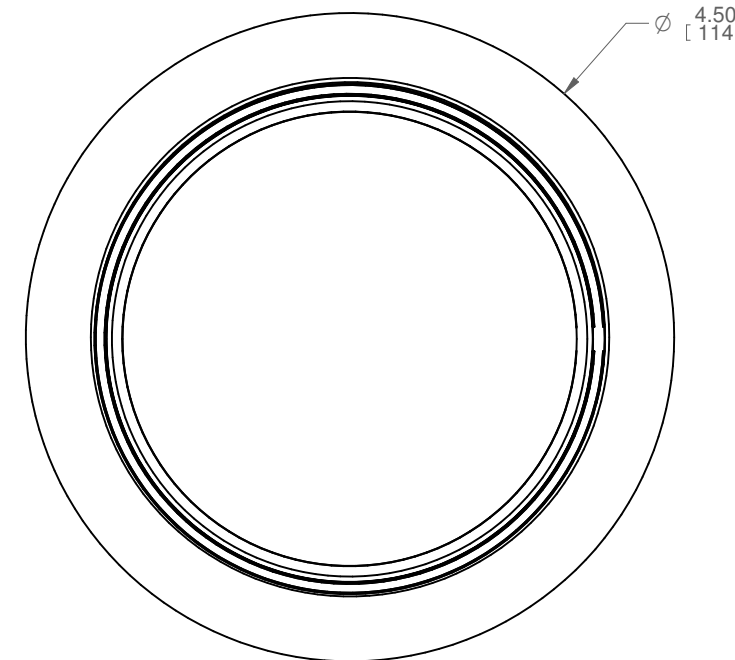
SIDE VIEW
4IN ROUND/OCT BOX



SIDE VIEW
4IN ROUND/OCT BOX



TOP VIEW
4IN ROUND/OCT BOX



BOTTOM VIEW
4IN ROUND/OCT BOX



CONSTRUCTION:

- LUMINAIRE HOUSING
 - o CAST ALUMINUM
- LUMINAIRE BASE
 - o MOULDED POLYMER

FINISH:

- ALL HARDWARE: MILL FINISH UNLESS OTHERWISE SPECIFIED

ELECTRICAL SERVICE

- BY OTHERS, SEE PRODUCT DATASHEET FOR DETAILS

ASSEMBLY AND INSTALLATION

- ALL COMPONENTS SHOWN ARE FACTORY ASSEMBLED BY PARC UNLESS OTHERWISE NOTED
- ALL INSTALLATION BY OTHERS AND METHODS SHOWN ARE NOTIONAL
- (ASSY BY OTHERS): PROVIDED BY PARC, FIELD ASSEMBLED BY OTHERS
- (BY OTHERS): PROVIDED AND FIELD ASSEMBLED BY OTHERS

NOTES:

- DIMENSIONS SHOWN IN PARENTHESES ARE FOR REFERENCE ONLY (X.XX)
- METRIC DIMENSIONS SHOWN IN BRACKETS [X.XX]
- PRODUCT FINISH MAY VARY IN TONE, GLOSS AND TEXTURE; VARIATIONS ARE WITHIN PARC QUALITY STANDARDS
- TBC: DETAILS TO BE CONFIRMED
- LISTED CAN/CSA-C22.2 NO. 250.0 & UL 2108



REV	DATE	DRAWN BY	CHECKED BY
B	2021-09-14	NLD	JAC
A	2020-06-16	NPT	SMB

ALL DIMENSIONS IN INCHES UNLESS OTHERWISE SPECIFIED

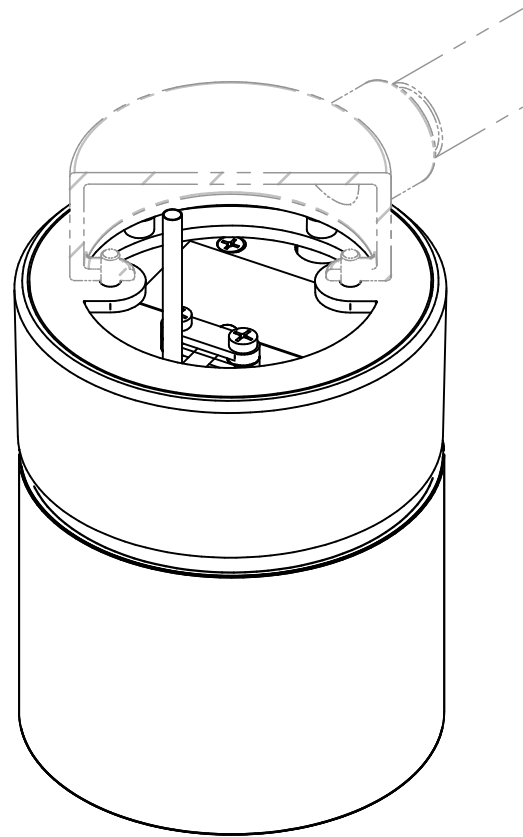
TOLERANCES UNLESS OTHERWISE SPECIFIED			
LINEAR	X.X ± .06	X.XX ± .03	X.XXX ± .01 INCHES
ANGULAR	X ± 1	X.X ± .5	X.XX ± .25 DEGREES

PROJECT

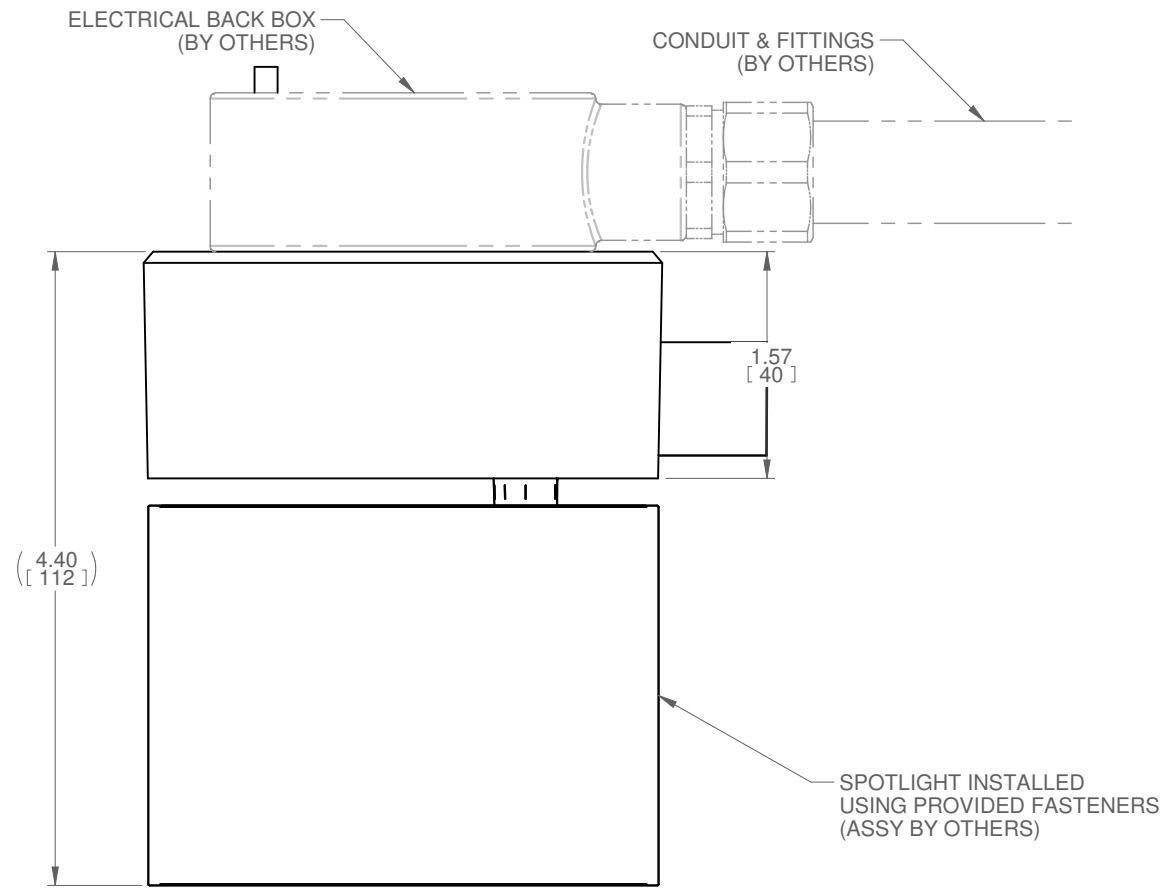
DRAWING TITLE
NODE K2 SPOTLIGHT SUBMITTAL

SUBMITTAL NUMBER	272419	SHEET 4 OF 5	SIZE B
------------------	---------------	--------------	---------------

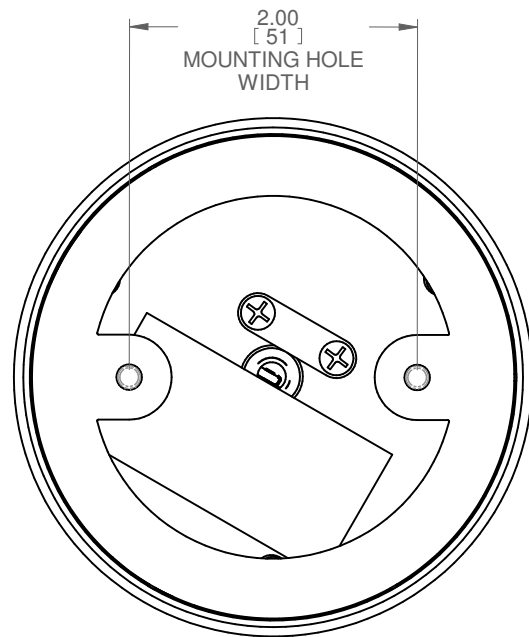
GENERAL CONSTRUCTION - SURFACE MOUNT (CONTINUED)



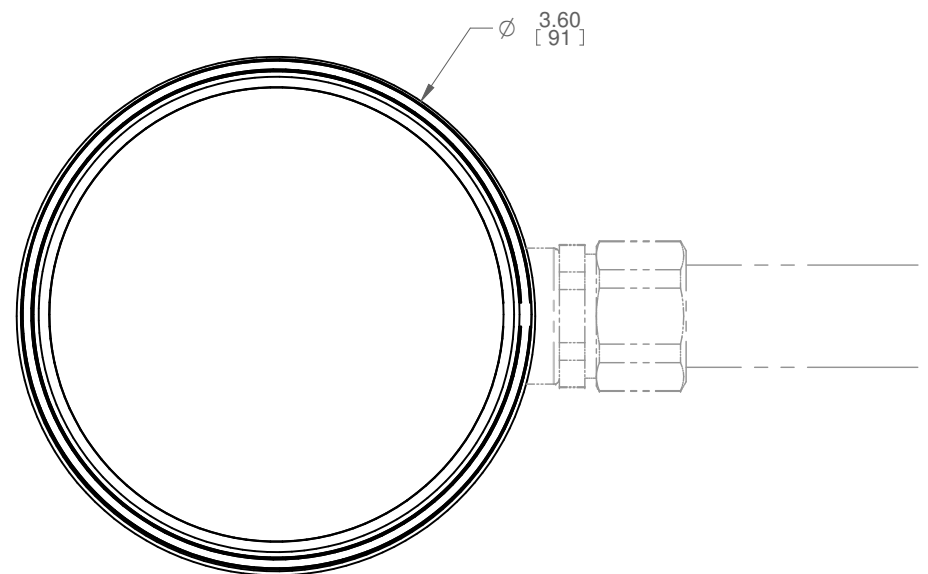
ISOMETRIC VIEW
20MM CONDUIT JUNCTION BOX



SIDE VIEW
20MM CONDUIT JUNCTION BOX



TOP VIEW
20MM CONDUIT JUNCTION BOX



BOTTOM VIEW
20MM CONDUIT JUNCTION BOX



CONSTRUCTION:

- LUMINAIRE HOUSING
 - o CAST ALUMINUM
- LUMINAIRE BASE
 - o MOULDED POLYMER

FINISH:

- ALL HARDWARE: MILL FINISH UNLESS OTHERWISE SPECIFIED

ELECTRICAL SERVICE

- BY OTHERS, SEE PRODUCT DATASHEET FOR DETAILS

ASSEMBLY AND INSTALLATION

- ALL COMPONENTS SHOWN ARE FACTORY ASSEMBLED BY PARC UNLESS OTHERWISE NOTED
- ALL INSTALLATION BY OTHERS AND METHODS SHOWN ARE NOTIONAL
- (ASSY BY OTHERS): PROVIDED BY PARC, FIELD ASSEMBLED BY OTHERS
- (BY OTHERS): PROVIDED AND FIELD ASSEMBLED BY OTHERS

NOTES:

- DIMENSIONS SHOWN IN PARENTHESES ARE FOR REFERENCE ONLY (X.XX)
- METRIC DIMENSIONS SHOWN IN BRACKETS [X.XX]
- PRODUCT FINISH MAY VARY IN TONE, GLOSS AND TEXTURE; VARIATIONS ARE WITHIN PARC QUALITY STANDARDS
- TBC: DETAILS TO BE CONFIRMED
- LISTED CAN/CSA-C22.2 NO. 250.0 & UL 2108



REV	DATE	DRAWN BY	CHECKED BY
B	2021-09-14	NLD	JAC
A	2020-06-16	NPT	SMB

ALL DIMENSIONS IN INCHES UNLESS OTHERWISE SPECIFIED

TOLERANCES UNLESS OTHERWISE SPECIFIED				
LINEAR	X.X ± .06	X.XX ± .03	X.XXX ± .01	INCHES
ANGULAR	X ± 1	X.X ± .5	X.XX ± .25	DEGREES

PROJECT

DRAWING TITLE
NODE K2 SPOTLIGHT SUBMITTAL

SUBMITTAL NUMBER	272419	SHEET	5 OF 5	SIZE	B
------------------	---------------	-------	--------	------	----------